

1SLC800001D0201



# Summary

Introduction	1
Application sheets	2
Trunkings for air-conditioning installations	3
Mini-trunkings	4
Feeder and cable trunkings	5
Skirting, dado and floor trunkings	6
Industrial plastic trunkings	7
Wiring ducts	8
Industrial metal trunkings	9
Suspension systems for industrial trunkings	10
Technical details and mounting examples	11
Overall dimensions	12
Code list	13

# ABB SACE

## and its commitment to protecting the environment



ABB SACE is one of the forerunners among the companies in the Group in dedicating considerable resources towards reaching its objectives of sustainable development and environmental protection. This is confirmed by the fact that all the company manufacturing sites have been awarded ISO 9001 quality certification and most of them have also been awarded ISO 14001 environmental management system certification.

The plants in Frosinone and Patrica have also been awarded the Quality, Environment and Safety Integrated System certification and are certified in compliance with the Social Accountability 8000 Standards which is the most recognized and widespread international standard that guarantees the company engagement to respect the production and working conditions ethic.

ABB SACE is actively involved in continuing the policy of improving environmental management by rationalizing the consumption of raw materials and energy, preventing pollution, respecting water and air, reducing noise levels to a minimum, reducing waste from production processes and carrying out periodic environmental checks at the main suppliers' premises.

By using analysis tools such as LCA (Life Cycle Assessment), from the initial design stages ABB SACE assesses and improves the environmental performance of its products throughout their entire life cycle in order to guarantee maximum efficiency in technical and energy performance during operation, control and reduce environmental impact in the manufacturing stage and define end-of-life procedures. All these goals and activities are the result of a far-sightedness in adopting ecological policies and methods of reducing environmental impact and, here too, ABB SACE is, as already seen in the quality of its products, a leader on the Italian company scene.



Plant in Marostica (Vicenza-Italy)

## Selection and design tools

### Flexible management, services and advice: a complete package

To make selecting its products easier, ABB SACE guarantees 360° support both before and after purchase and provides tools for designing and sizing electrical installations which make calculations quicker, ensure that installations comply with regulations and reduce the risk of error.

The main ABB SACE computer tools for designing and estimating costs in electrical installations include:

### TCTWin (Technical Collection Tools)

TCTWin is the collection of ABB SACE softwares for professionals in the electrical field.

In particular:

- *DMBWin* allows you to select, configure and plan ArTu and Gemini distribution boards;
- *PICOWin* is the software dedicated to development and planning activities in the residential and commercial fields with the use of the Élos series, DomusTech home automation appliances and the whole range of ABB SACE modular devices and insulating enclosures;
- *ProSoft* (Softstarter Selection): with this software, after having selected the load and the ABB motor, you can select the most suitable starter, taking into account the current, the torque and the starting time;
- *DriveSize* is a programme that facilitates the selection of the best solution for the motor,

converter and transformer, and also allows you to calculate the current values and the network harmonics;

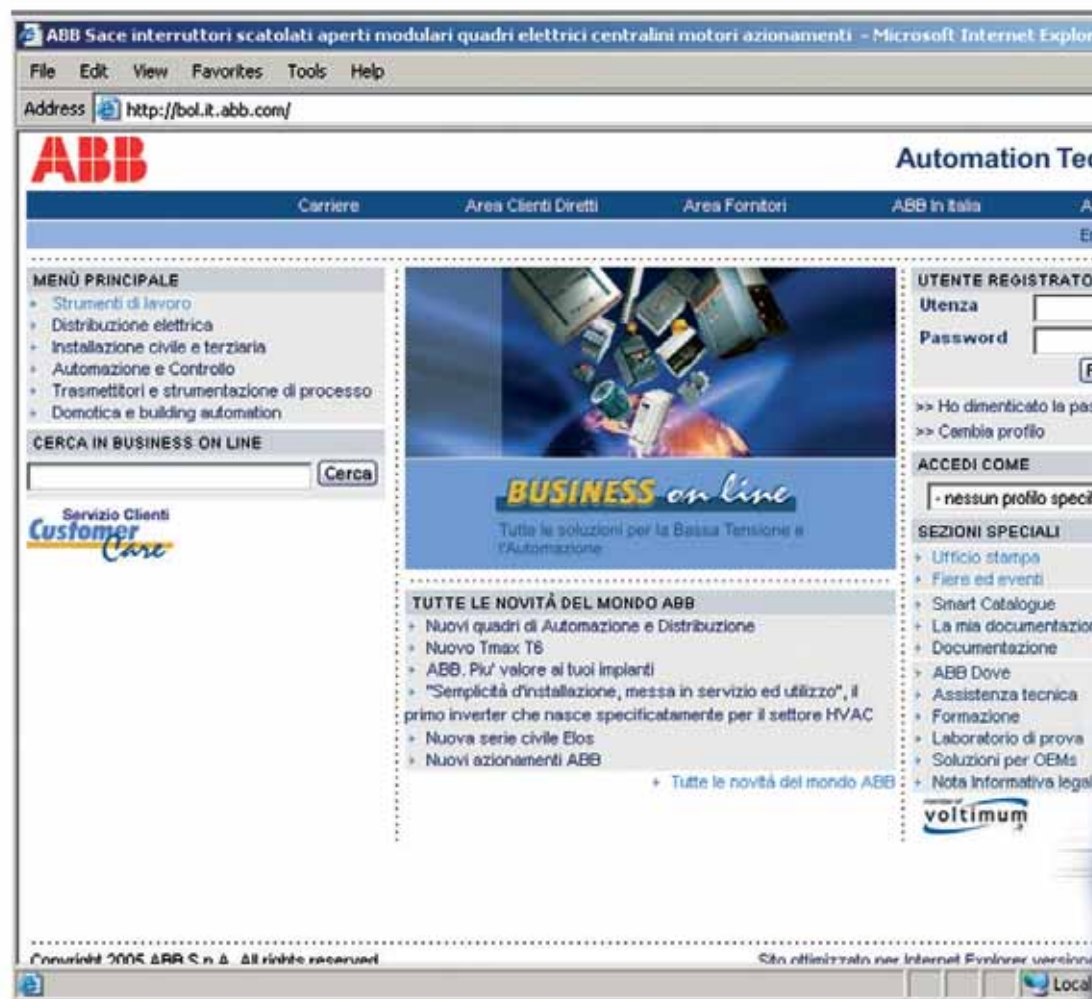
- *SPECs* allows you to create, customise and export the electrical plant specifications of many different structure types;
- *TCTWin* is completed by ABB Software Desktop, the control panel for operating all programmes and for utilising useful links and services such as online subscription, assistance and updating .

Sign in on Business online <http://bol.it.abb.com>, to upgrade your software in a simple and quick way: you will always have the most recent software versions at your disposal.

### Training courses

ABB SACE shares its own experience in the field of professional training, both from a technical and regulatory point of view. Each year these training activities provide many courses all over Italy, with the possibility to organise customised lessons at your own seat. In the Training

area of the Business on line website, <http://bol.it.abb.com>, you can have a look at the schedule and check the availability for each course; you can also book your favourite course from the website. Each course day will award you with 6 credits, according to the requirements of the Regolamento della formazione continua (Regulation for On-the-Job Training) (G.U. no. 89, 16/4/2004). From here you can also order, free of charge, the CD-ROM of the Training on line collection



## Selection and design tools



The ABB Sace testing laboratory in Bergamo, with its state of the art skills and systems, is available to carry out short circuit, experimental, material and electronic tests on medium and low voltage devices and switchboards. Requests for any type of test can be sent to the following fax number 035 39 52 84. For further details consult the Laboratory page in the Business on line web site (<http://bol.it.abb.com>).

In order to guarantee the safety and reliability of low and medium voltage systems and products ABB Sace also offers a Technical Support Service (telephone +39 035 395512 and fax +39 035 395511), which provides maintenance and advice.

The support service is also aimed at residential and small tertiary sector installers, through the support provided by the Technical Support Centres, which can be contacted by clients at the Freephone number 800 551166.

and have a look at the list of monthly conferences and the relevant invitation forms in pdf format.

### **Business on line**

The Business on line portal (<http://bol.it.abb.com>) is a working tool that meets any professionals' needs. It is organised in many different sections and it can be accessed in various ways according to the application type (distribution, residential and commercial fields, automation, home and

building automation etc.), so that the most important information for each field can be found immediately.

### **Smart Catalogue**

It contains the main data about all ABB SACE products. Each specific data sheet can be printed or stored; you can search by product family or using the specific "Search" function of our powerful search engine.

### **Documents**

All documents concerning ABB SACE products can

be consulted on line or they can be downloaded in pdf/html formats: catalogues and brochures, certificates, technical documents and regulation sheets.

### **Working tools**

Many useful working tools which can be consulted on line or stored on your computer: certificates, price lists, budgeting tools, retrofitting kits and much more. From this session you can also order the CDs of the TCTWin suite.

### **Press releases and all ABB news**

In these two sections you can find all product news, promotions and company communications, as well as news about projects and the main references.

ABB direct clients and suppliers can access the relevant **reserved areas** where they can interact with the company for managing processes and orders.

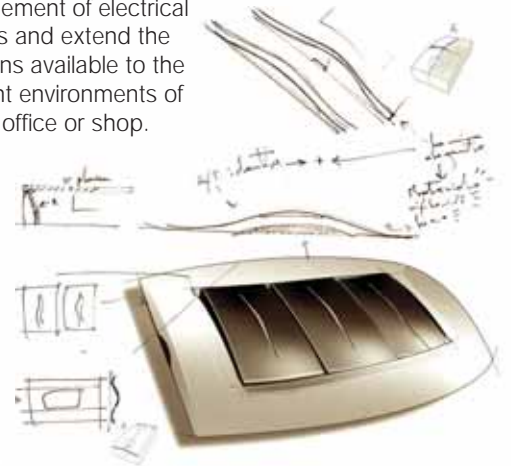
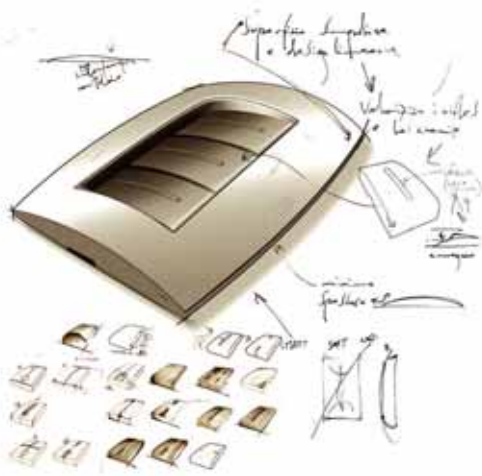
# Élos

The ABB wiring accessories series

*Élos awakens the senses and marks a turning point for the market: say goodbye to old habits, now you can choose the softness of its surfaces and the purity of its design.*

Élos is the ABB wiring accessories series for the terminal parts of electrical systems for residential and tertiary applications. The ABB range for distribution applications, along with the devices installed in the switchboard or in the central unit and the wiring and trunking products, allows you to design complete professional solutions in terms of quality and technology which are also aesthetically refined and modern.

The series consists of two lines, Élos Soft and Élos Smart, which include a complete range of devices with which to optimize the management of electrical devices and extend the functions available to the different environments of home, office or shop.



---

# Élos

The ABB wiring accessories series

---

Élos, by ABB, stands out from anything currently available on the market due to its sophisticated and innovative design. The Élos Soft plates feature an elegance and simplicity that can be found throughout the series: a striking and unique look is achieved with a sinuous plate resting on an under-plate which seems to detach it from the wall. The Élos Smart plates

are constructed from a single technopolymer surface that rests against the wall almost without any thickness, highlighting the components it contains.



The Élos Soft version of the anthracite grey keys has an organic and curvilinear surface whilst the Élos Smart version is flat and essential; both lines feature a vertical line which is familiar to the touch. The metal and technopolymer versions of the Élos Soft plates are available in more than 20 colors and in 3, 4 and 6 module versions.



*Élos has been selected amongst the best products competing in the Design section of the prestigious 2003 Intel Design "Augusto Morello" award.*



---

**Elos**  
SOFT VETRO

As you've never seen it before

---



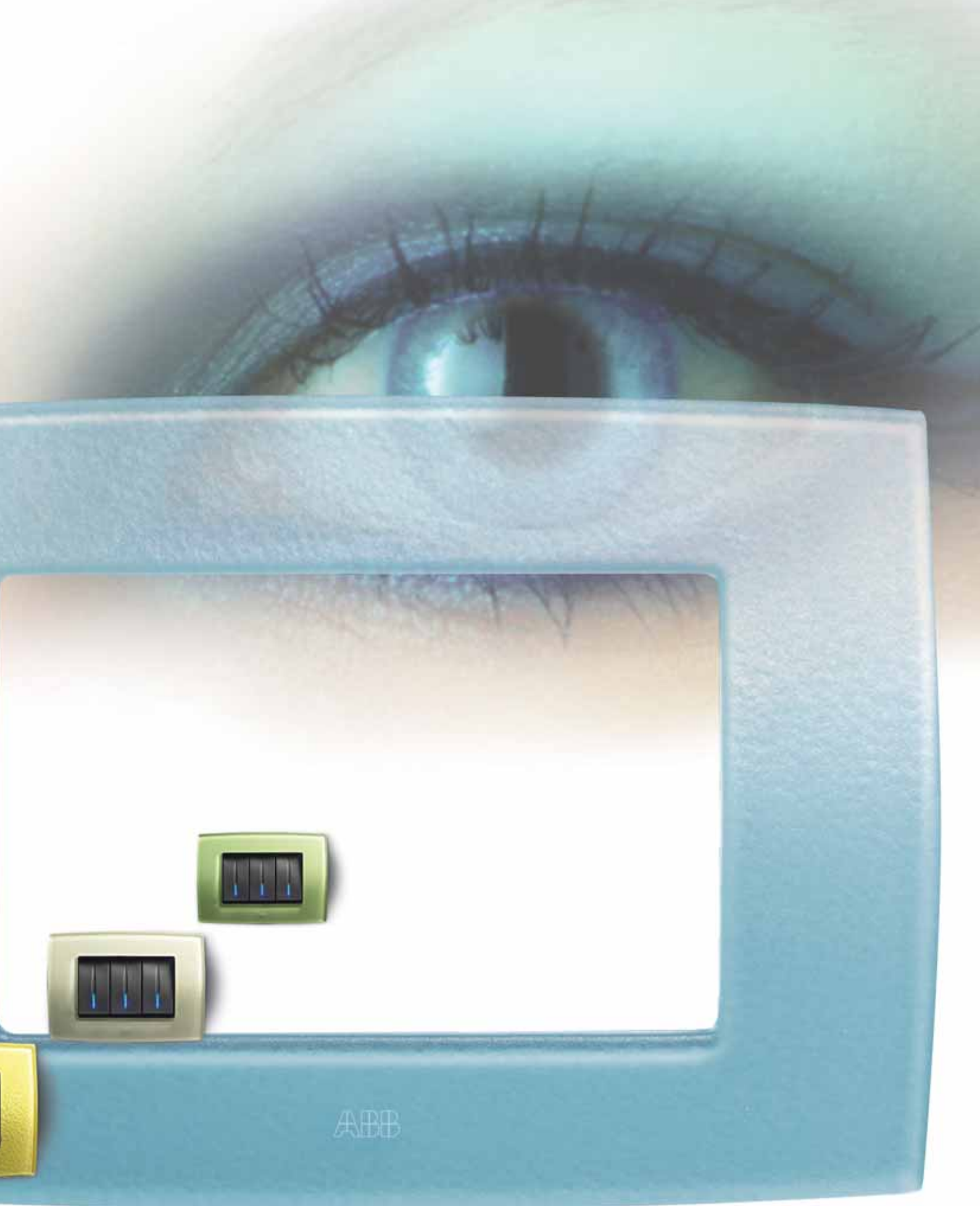
*The transparency highlights the purity of the design: Elos Soft glass is the choice for those that leave nothing to chance.*

Today Elos adds the irresistible and exclusive appeal of glass which, with its delicate transparencies, adds a unique elegance to Elos Soft: the delicate and refined profile of the soft wave is perfectly expressed with the glass.

Elos glass exudes vibrancy to sight and touch, satisfying the desire for beauty and harmony.

The plates in the range recall the colors of precious stones such as quartz, emerald, zircon, pearl, topaz and turquoise in both glossy and satin finishes.





ABB

# Chiara

The new ABB wiring accessories series

Chiara has arrived! ABB presents its new wiring accessories series. Chiara is light and harmony. The elegant white push buttons and devices are immersed in the evocative colours of the plates: white, sand, stone, volcano and the pastel shades of yellow, orange, green and blue. Chiara has a very broad appeal and enhances any environment. Flexibility is one of Chiara's characteristics, also in terms of installation. The 22 mm wide devices

can be fitted into all round 60 mm diameter and rectangular flush-mounting boxes on the market. The supports and the plates are available in two, three, four and seven module versions that can be fitted into standard rectangular two, three, four or six module boxes. The light spot assembly is particularly simple: the frame is made of

a semitransparent material in order to facilitate fitting to the flush-mounting boxes. Furthermore the devices are assembled from the front.





---

# Élos and Chiara

## Components and functions

---

A wide range of articles (devices, plates and accessories) is available for both Élos and Chiara wiring accessories series. All the eligible products in the range have obtained the IMQ certification as required to comply with current reference standards.



### Control devices

One-way and two-way switches, push buttons, reversing switches, relays and change-over switches in different versions to configure utility functions and control points in the most flexible and suitable way for each residential and working context.

The range includes devices with warning lights to indicate the status of the controlled devices or for night-localization.

The bulbs for warning light devices must be ordered separately.

### Sockets

2P+E 10-16A plug version for 250V lines are available in Italian and German standards, with safety shutters and side/central earth.

The Élos range also includes standard European and American shaver sockets, SELV sockets for very low voltage safety devices and other special sockets.

Various types of connectors for telephone and data transmission applications are available complying with the most frequently used and advanced international wiring standards.

### Protection devices

These come into action in the event of overloads, short circuits, power surges and other phenomena that are hazardous for the users and prevent the connected devices from functioning correctly. They provide protection directly downstream without interfering with the power supply to other points on the electrical plant.

### Warning devices

Warning lights to indicate the functioning status of connected devices, bells and buzzers.

The Élos range also includes the path light used as a courtesy light to illuminate pedestrian paths and areas,

for example corridors, garages, cellars etc. The bulbs fitted to the warning lights must be ordered separately.

### Devices for safety and comfort

To optimise the functioning of the electrical devices and increase the comfort of environments, the range includes devices for programming, adjustments and timing, thermostats and clocks. The anti black-out lamp switches on in case of interruption in the power supply with an autonomy of up to 4.5 hours; by removing it from the socket it can be used as a torch.

The Élos range also includes detectors for methane or LPG gas leaks, which automatically close the solenoid valve that they are connected to, to stop the delivery and prevent dangerous situations; the alarm can be extended in many places with the signal repeater.

# Élos and Chiara

## Components and functions

### Installation components

Blank module for unused modules and 2, 3, 4, 7-modules supports for Chiara and 3, 4, 6, 8 and 12-modules supports for Élos, for installing devices and components in rectangular flush-mounting boxes for Élos and rectangular and round flush-mounting boxes for Chiara.

### IP40 and IP55 boxes and devices

The Élos and Chiara field of application is increased to include environments that require IP40 or IP55 protection degree, according to the CEI 64-8 standards. The IP55 versions allow Élos and Chiara to be used in particularly demanding environments with the presence of dust or flammable liquids.

### Plates

Élos Soft plates are available in glass with a satin or glossy version; metal and technopolymer plates are made with a glossy finish and also in the mica-colors version. The metal plates are also supplied with special surface treatments (glossy chrome, brushed steel, natural zama and glossy gold). Élos Smart plates are made in technopolymer, with mica-colors versions and a satin finish. Chiara plates are made in technopolymer, with a glossy finish, in eight different colours.

### Key covers

The Élos range also includes key covers to identify available functions and connected devices with different symbols. These are used to replace the standards keys supplied with

control devices. In 1 and 1/2 module versions.

### Special systems

The Élos range also includes different special systems. The bus components for security burglar alarm systems allow for the management of up to 6 different areas which can be activated separately with the insertion/slicing device. The fixed or adjustable lens volumetric detectors and the contacts for the connection to the protection system for doors and windows register any burglary attempts in the controlled environments by activating the internal acoustic warning devices and the siren for the exterior; the telephone dial dials the numbers set in the memory to send an alarm warning. To prevent the disconnection

or the damage of the single components, the installation of an anti-tempting device that intervenes activating the alarms is recommended. With the speaker system you can extend stereophonic broadcast from tuners or external sources (e.g. HI-FI) throughout the home. The use of the intercom with microphone is especially useful in hotel and residential structures as a paging system.

A complete access control and devices management system with up to 3 authorization levels is also available: the components in the range include the card key, the external reader in which to insert the card to enter the premises and the internal reader with which to activate the devices connected (e.g. lights, opening blinds etc.).







## Index

General.....	1/2
Brief outline .....	1/8



# Introduction

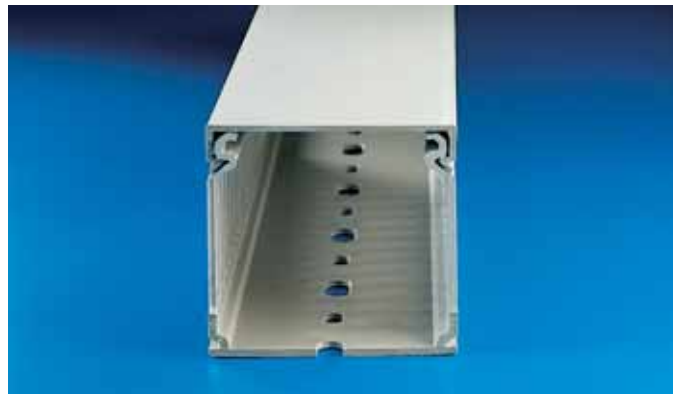
## General

### Wiring ducts: the more comprehensive the offer, the more efficient the job

The totally new range of ABB SACE wiring ducts also includes products for specific applications.

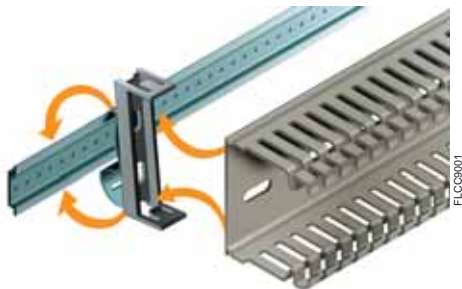
The top profile of the ribs of all the wiring ducts has been redesigned to make the cover easier to open and close and to make sure that it snaps on even more safely thanks to its new rounded shape that makes wiring operations easier. If you need more room for cables, six new 100-mm high ducts are now available on 25, 40, 60, 80, 100 and 150-mm bases, in addition to the traditional ones with heights from between 17 and 80 mm.

The new wiring ducts with standard measurements of 50 x 50 mm and 100 x 60 mm with circular lateral knockouts, on the other hand, have been designed for the branch connection of rigid and corrugated conduits in specific applications, such as in the lift sector.



The best solution for connecting panels and doors with compass opening mechanisms, and in general, for all applications where cables are subject to bending and twisting, is the new flexible duct in thermoplastic material available in seven sizes, that can be bent or twisted without breaking. Made in thermoplastic, ABB SACE wiring ducts are used in electrical consumer units, in applications with a rated voltage of up to 1000 V in alternating current and 1500 V in direct current.

In all installation contexts, they stand out for their high installation speed as they can be snapped onto the Fix-O-rapid – the accessory specially designed for fastening onto DIN rails and mounting plates.



# Introduction

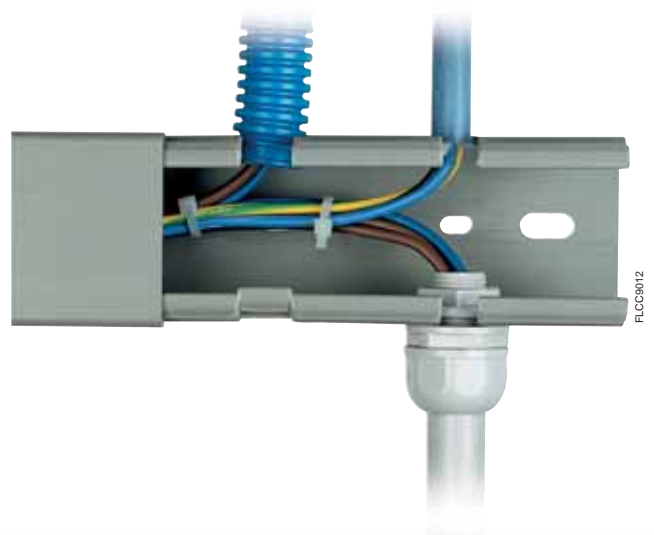
## General

### Advantages in daily jobs

The different sizes and the resistance of the ribs in ABB SACE wiring ducts ensure repeated splaying during wiring while still making it possible to eliminate the rib, breaking it cleanly and neatly using the special knockout. The knockouts on the base of the walls also make it possible to cut the edge itself when creating branch connections.

Controlled splaying of the sides of the wiring duct also ensures that the cover is sealed perfectly even in vertical sections and when temperatures are high. In particular in the 80 and 100-mm high versions, special cable holder mouldings located halfway along the straight section of the ribs further reinforce the structure.

The out of phase, slightly inward-angled design of the ribs, in the flexible wiring ducts, makes it easy to insert and extract cables, while the fact that there is no cover makes it possible to monitor their position constantly. These wiring ducts can be fastened with screws and rivets or with pre-mounted bi-adhesive tape that sticks strongly to steel.



# Introduction

## General

### Halogen free thermoplastic trunkings for maximum safety

ABB SACE has produced a new version of its trunkings to satisfy higher safety standards, including in the range its new wiring ducts in halogen free thermoplastic in compliance with VDE 0472 Part 815 Standard.

If safety is a fundamental requirement, these new wiring ducts are the solution. In fact, in the event of fire, this material not only prevents flames from spreading but it also emits smoke with a very low toxic content and does not produce opaque fumes that could make it difficult for people to find the safety exits. These new products are therefore ideal for use in a wide range of environments and in different conditions; for example, shopping centres, cinemas, theatres, schools, conference centres, areas with special safety requirements (underground premises, subway stations, bank vaults), various types of industrial plants (petrochemical, off-shore platforms, power stations) and, more in general, all applications where electric distribution is needed.



### Steel wire cable trays for a flexible, quick and safe fitting



Thanks to their excellent structural characteristics, ABB SACE steel wire cable trays are particularly suitable for industrial, naval and commercial applications, and in particular in environments where difficult operating conditions are present. From the installation point of view, steel wire cable trays reduce the overheating of cables and the accumulation of dust, preserving optimal installation conditions; by providing easy access to the conduits, the cable trays can be branched at any point along their path and can be inspected more frequently.

Produced with resistant, light and easily to handle steel mesh, they are laid with the use of a few tools and accessories and their path can be adapted to any changes required. It is possible to integrate these cable trays with connections, branches, shelves and other products in the ABB SACE metal trunking range, and the system can be configured according to the current requirements.

#### SURFACE TREATMENTS OF CABLE TRAYS ACCORDING TO THE ENVIRONMENT

ENVIRONMENT	Sendzimir galvanization	Hot dip galvanization after production	Sendzimir galvanization painted with epoxy-polyester powder
Internal installations	3	4	4
External installations	1	4	4
Marine environment	1	4	3
Alkaline environment	1	4	3
Acid environment	1	4	3
Chemical industries	1	4	3
Food industries	1	2	3

4 = excellent    3 = good    2 = possible    1 = not recommended

"The 75 micron covering of the sendzimir version, painted with epoxy-polyester powder applied electrostatically, provides up to 600% more resistance to saline mist and hydrochloric acids, compared to competitors' products"

# Introduction

## General

### Metal closed/punched base cable trays: a wider range for the industrial field

The new metal closed/punched base cable trays produced by ABB SACE are able to solve almost any trunking problem in the industrial field, even in very difficult environments. Manufactured in Fe P11 carbon steel plate, hot dip galvanised after production according to CEI 7-6 and BS 729 Standards, the cable trays are particularly resistant to chemical and atmospheric agents and, moreover, give IP40 protection in the versions with the closed base and IP20 with the punched base. The particular profile moulding and the very thick plate used also give excellent mechanical properties. For these reasons they are ideal for all types of industrial applications, even in special conditions: for example, where there are high concentrations of humidity or salinity, where acids are used or when very thick or large quantities of cables are required (such as in the petrochemical and iron and steel industries, power stations and underground or maritime installations). Easy to mount, practical, safe and equipped with snap-on covers, the new cable trays can be fastened to the ceiling or to the wall, making it possible, thanks to the wide range of trunkings, corners, reducers and accessories, to satisfy all trunking requirements without any problems. Closed/punched base cable trays, together with cable ladders and trunking systems in sendzimir, hot dip galvanised after production, make ABB SACE metal trunking systems the answer to all requirements, in any kind of application context.



1

13SLC80012P030FLCP9828



FLCP9831



FLCP9827

13SLC80011F0001

# Introduction

## General

### Trunkings for air-conditioning installations: the new solution for residential and commercial environments

The ABB SACE trunking range is now still more complete due to the introduction of the new trunkings for air-conditioning installations. They are produced in self-extinguishing and shock-proof insulating thermoplastic material, and they are specifically designed for the passage of tubes of air-conditioning installations. Thanks to their fine design they can be installed in offices, public spaces and private houses: the rounded edges of the trunkings and the bevelled outline of the cover guarantee that the system can be integrated with the pre-existing environment and also guarantee a pleasant aesthetic effect.

The new range includes trunkings with 2 m bars in three dimensions: 60x40 mm, 80x60 mm and 100x60 mm. The trunkings feature an IP40 protection degree. The range of products also includes some accessories (flat and internal corners, wall fittings, etc.); all of these can be snap-on mounted in a simple and quick way.



---

# Introduction

## General

---

### Cable ladders for naval use: high performance and safety for the most difficult applications

The application of components used in electrical installations in special environments and situations, such as board ships, ferries and any other types of maritime means of transport, requires particular technical characteristics because of the limited amount of space available and of the difficult conditions of installation and use. These strict requirements are fulfilled by the ABB SACE cable ladders, 45-mm high and produced in carbon steel with 17-micron electrogalvanization.

Their suitability for the naval use is guaranteed by the compliance with the UNAV standard.



1



The range of cable ladders, available in basic widths between 150 and 600 mm, also includes straight 3-metre long elements, flat 90° corners, different models of sections in flanged sheeting, flat slotted plates, corner sections with side slots, U-sections, tapes, clasps, cross-sections, rods, joints and other accessories that allow for easily and quickly defining and creating even the most complex trunking system, not only in the naval sector, but also in all those applications where specific plant requirements make their usage extremely advantageous and functional.



# Introduction

## Brief outline

### Plastic trunkings

Type

1

Trunking for air-conditioning installations  
Length 2 m



Self-adhesive mini-trunkings  
Length 2 m



Equipped mini-trunkings  
Length 2 m



IP40 feeder trunkings  
Length 2 m



IP40 feeder and cable trunkings  
Length 2 m



Colour Code  
Dimensions

Colour Code	Base (mm)	Height (mm)	Colour Code	Base (mm)	Height (mm)	Colour Code	Base (mm)	Height (mm)	Colour Code	Base (mm)	Height (mm)	Colour Code	Base (mm)	Height (mm)
<b>With hinged cover</b>			<b>Without cover</b>			<b>With standard cover</b>			(B) 43 002	40	(B) 43 085	100		
	1SL9200A00	60	40	41 010	7,5	7	41 080	20	(E) 03 042		(E) 03 115	40		
(A)	1SL9201A00	80	60	(B) 41 015	10	9	41 081		(B) 43 003	60	(B) 43 086	120		
	1SL9202A00	100	60	41 020	12	11	41 083	30	(E) 03 043		(B) 03 116			
							41 084		(B) 43 004	80	(B) 43 095	100		
				<b>With hinged cover</b>			(B) 41 110		(E) 03 044	40	(E) 03 125	60		
				41 040	4,5	9	(C) 01 160	15	(B) 43 005	100	(B) 43 096	120		
				41 045	7		(D) 01 180		(E) 03 045	120	(E) 03 126	60		
				(B) 41 050	12,5	12	41 091	30	(B) 43 006	120	(B) 43 097	150		
				41 055	17	17	(B) 41 092	40	(E) 03 046		(E) 03 127	200		
							41 093	60	(B) 43 013	60	(B) 43 098	200		
							(B) 41 117	25	(E) 03 053		(E) 03 128	80		
							41 119	40	(B) 43 014	80	(B) 43 105	150		
									(E) 03 054	100	(E) 03 137	200		
									(B) 43 015	60	(B) 43 106	80		
									(E) 03 055	80	(E) 03 138	200		
									(B) 43 016	100				
									(E) 03 056	120				
									(B) 43 017	150				
									(E) 03 057	200				
									(B) 43 018	100				
									(E) 03 058	120				
									(B) 43 019	150				
									(E) 03 059	200				
									(B) 43 020	100				
									(E) 03 060	120				
									(B) 43 021	150				
									(E) 03 061	200				
									(B) 43 022	100				
									(E) 03 062	120				
									(B) 43 023	150				
									(E) 03 063	200				
									(B) 43 024	100				
									(E) 03 064	120				
									(B) 43 025	150				
									(E) 03 065	200				
									(B) 43 026	100				
									(E) 03 066	120				
									(B) 43 027	150				
									(E) 03 067	200				
									(B) 43 028	100				
									(E) 03 068	120				
									(B) 43 029	150				
									(E) 03 069	200				

Design styled feeder and cable trunkings  
Length 2 m



Colour Code	Base (mm)	Height (mm)
44 010	50	
(B) 44 012	100	68
44 014	150	
44 016	200	

Colour	(A) RAL 9001 white	(B) RAL 9016 white	(C) RAL 7035 grey (D) RAL 8014 brown	(E) RAL 7030 grey	(F) RAL 9016 white (G) RAL 7030 grey
Quality mark	-	-	IMQ	IMQ	IMQ
Field of application	Residential and commercial	Residential	Residential	Residential and commercial	Residential and commercial
Branch connection accessories	No	No	Yes	Yes	Yes
Accessories for equipment	No	No	Yes, external	Yes, internal	Yes, internal
Reference	Page 3/2	Page 4/2	Page 4/4	Page 5/2	Pages 5/2 - 5/16

# Introduction

## Brief outline

1

### Skirting, dado and floor trunkings

Length 2 m



### Industrial plastic trunkings

Length 3 m



### Halogen free thermoplastic wiring ducts

Length 2 m



### Wiring ducts with vertical slots 8/12

Length 2 m



### Wiring ducts with vertical slots 4/6

Length 2 m



### Flexible thermoplastic wiring ducts

Length 50 m



### Wiring ducts with circular knockouts

Length 2 m



Colour Code	Base (mm)	Height (mm)	Colour Code	Base (mm)	Height (mm)	Colour Code	Base (mm)	Height (mm)	Colour Code	Base (mm)	Height (mm)	Colour Code	Base (mm)	Height (mm)	Colour Code	Base (mm)	Height (mm)		
<b>Base for skirting and dado</b>			<b>IP40 closed base feeder trunkings</b>			<b>8/12 mm slots</b>			<b>05 019</b> 15 17			<b>05 119</b> 15 17			<b>05 400</b> 12,5 12,5			(E) <b>05 330</b> 50 50	
(B) 42 010	85	21.7	08 101	100		1SL9019A00	15	17	05 033	25		05 133	25		05 402	16	16	(E) 05 331 100 60	
(L) 02 011			08 102	150	60	1SL9033A00	25		05 035	40	30	05 135	40	30	05 405	20	20		
<b>Cover for skirting</b>			(E)	08 103	200	1SL9035A00	40	30	05 037	60		05 137	60		(F) 05 410	25	25		
(B) 42 015			08 105	300	100	1SL9037A00	60		05 043	25		05 143	25		05 415	30	30		
(L) 02 016	85	21.7	08 106	300		1SL9043A00	25		05 045	40		05 145	40		05 420	40	40		
(D) 02 017			08 107	400		1SL9045A00	40		05 047	60	40	05 147	60	40	05 425	50	50		
<b>Cover for dado</b>			<b>IP20 punched base feeder trunkings</b>			(C)	1SL9047A00	60	40	05 049	80		05 149	80					
(B) 42 012			08 111	100		1SL9049A00	80		05 051	100		05 151	100						
(L) 02 013	85	21.7	08 112	150	60	1SL9051A00	100		05 053	120		05 153	120						
(D) 02 017			08 113	200		1SL9053A00	120		05 063	25		05 163	25						
			08 115	300	100	1SL9063A00	25		05 065	40		05 165	40						
			08 116	300		1SL9065A00	40		05 067	60	60	05 167	60	60					
			08 117	400		1SL9067A00	60	60	05 069	80	60	(G) 05 169	80	60					
						1SL9069A00	80		05 071	100		05 171	100						
						1SL9071A00	100		05 073	120		05 173	120						
						1SL9073A00	120		05 083	25		05 183	25						
						1SL9083A00	25		05 085	40		05 185	40						
						1SL9085A00	40		05 087	60	80	05 187	60	80					
						1SL9087A00	60	80	05 089	80		05 189	80						
						1SL9089A00	80		05 091	100		05 191	100						
						1SL9091A00	100		05 093	120		05 193	120						
						1SL9093A00	120		05 094	25		05 194	25						
									05 095	40		05 195	40						
						<b>4/6 mm slots</b>			05 096	60	100	05 196	60	100					
						1SL9119A00	15	17	05 097	80		05 197	80						
						1SL9133A00	25		05 098	100		05 198	100						
						1SL9135A00	40	30	05 099	150		05 199	150						
						1SL9137A00	60												
						1SL9143A00	25												
						1SL9145A00	40												
						1SL9147A00	60	40											
						1SL9149A00	80												
						1SL9151A00	100												
						1SL9153A00	120												
						(C) 1SL9163A00	25												
						1SL9165A00	40												
						1SL9167A00	60	60											
						1SL9169A00	80												
						1SL9171A00	100												
						1SL9173A00	120												
						1SL9183A00	25												
						1SL9185A00	40												
						1SL9187A00	60	80											
						1SL9189A00	80												
						1SL9191A00	100												
						1SL9193A00	120												

(B) RAL 9016 white (L) Slate (D) RAL 8014 brown	(E) RAL 7030 grey	(G) RAL 7035 grey	(G) RAL 7030 grey	(G) RAL 7030 grey	(F) RAL 7040 grey	(E) RAL 7030 grey
IMQ	-	-	Vari	Vari	-	-
Residential and commercial	Industrial	Industrial	Industrial	Industrial	Industrial	Industrial
Yes	Yes	No	No	No	No	No
Yes, external	No	No	No	No	No	No
Page 6/2	Page 7/2	Page 8/2	Page 8/4	Page 8/4	Page 8/8	Page 8/10



# Introduction

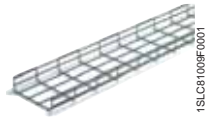
## Brief outline

### Metal trunkings

Type **Steel wire cable trays H 35** **Steel wire cable trays H 50** **Steel wire cable trays H 75** **Sendzimir trunking H 50**

Length 3 m

1



Colour Code Dimensions	Steel wire cable trays H 35			Steel wire cable trays H 50			Steel wire cable trays H 75			Sendzimir trunking H 50			
	Colour	Code	Base (mm)	Colour	Code	Base (mm)	Colour	Code	Base (mm)	Colour	Code	Base (mm)	Height (mm)
	(Z)	1SL9810A00	75	(Z)	1SL9828A00	75	(Z)	1SL9852A00	75	<b>IP 20 punched feeders trunking</b>			
	(V)	1SL9816A00		(V)	1SL9836A00		(V)	1SL9860A00		06 312 100			
	(L)	1SL9822A00		(L)	1SL9844A00		(L)	1SL9868A00		06 313 150			
	(Z)	1SL9811A00	100	(Z)	1SL9829A00	100	(Z)	1SL9853A00	100	(G)	06 314	200	50
	(V)	1SL9817A00		(V)	1SL9837A00		(V)	1SL9861A00		06 315	300		
	(L)	1SL9823A00		(L)	1SL9845A00		(L)	1SL9869A00		06 316	400		
	(Z)	1SL9812A00	(Z)	1SL9830A00	(Z)	1SL9854A00	06 317	500					
	(V)	1SL9818A00	150	(V)	1SL9838A00	150	(V)	1SL9862A00	150	<b>IP 40 feeders trunking</b>			
	(L)	1SL9824A00		(L)	1SL9846A00		(L)	1SL9870A00		06 332 100			
	(Z)	1SL9813A00		(Z)	1SL9831A00		(Z)	1SL9855A00		06 333 150			
	(V)	1SL9819A00	200	(V)	1SL9839A00	200	(V)	1SL9863A00	200	(G)	06 334	200	50
	(L)	1SL9825A00		(L)	1SL9847A00		(L)	1SL9871A00		06 335	300		
	(Z)	1SL9814A00		(Z)	1SL9832A00		(Z)	1SL9856A00		06 336	400		
	(V)	1SL9820A00	300	(V)	1SL9840A00	300	(V)	1SL9864A00	300	06 337	500		
	(L)	1SL9826A00		(L)	1SL9848A00		(L)	1SL9872A00					
				(Z)	1SL9833A00		(Z)	1SL9857A00					
		(V)	1SL9841A00	(V)	1SL9865A00	400							
		(L)	1SL9849A00	(L)	1SL9873A00	400							
		(Z)	1SL9834A00	(Z)	1SL9858A00	500							
		(V)	1SL9842A00	(V)	1SL9866A00	500							
		(L)	1SL9850A00	(L)	1SL9874A00	500							

Colours	Steel wire cable trays H 35	Steel wire cable trays H 50	Steel wire cable trays H 75	Sendzimir trunking H 50
Quality marks	–	–	–	IMQ
Field of application	Industrial/Commercial	Industrial/Commercial	Industrial/Commercial	Industrial
Branch connection applications	Yes	Yes	Yes	Yes
Accessories for equipment	–	–	–	–
Reference	Page 9/2	Page 9/2	Page 9/2	Page 9/8

# Introduction

## Brief outline

1

### Sendzimir trunking H 75

Length 1/2/3 m



Colour	Code Length 1 m	Code Length 2 m	Code Length 3 m	Base (mm)	Height (mm)
<b>IP 20 punched feeders trunking</b>					
	07 171	07 181		75	
	07 172	07 182		100	
	07 173	07 183		150	
(G)	07 174	07 184		200	75
	07 175	07 185		300	
	07 176	07 186		400	
	07 177	07 187		500	
<b>IP 40 feeders trunking</b>					
(G)	07 111	07 121	07 131		
(H)	07 141	07 151	07 161	75	75
(I)	08 401	08 411	08 421		
(G)	07 112	07 122	07 132		
(H)	07 142	07 152	07 162	100	75
(I)	08 402	08 412	08 422		
(G)	07 113	07 123	07 133		
(H)	07 143	07 153	07 163	150	75
(I)	08 403	08 413	08 423		
(G)	07 114	07 124	07 134		
(H)	07 144	07 154	07 164	200	75
(I)	08 404	08 414	08 424		
(G)	07 115	07 125	07 135		
(H)	07 145	07 155	07 165	300	75
(I)	08 405	08 415	08 425		
(G)		07 126	07 136	400	75
(G)		07 127	07 137	500	75

### Cable ladders H 60 - 100 - 130

Length 3 m



Colour	Code	Base (mm)	Height (mm)
	09 400	100	
	09 401	200	
(L)	09 402	300	60
	09 403	400	
	09 404	500	
	09 405	600	
	09 410	100	
	09 411	200	
(L)	09 412	300	100
	09 413	400	
	09 414	500	
	09 415	600	
	09 420	100	
	09 421	200	
(L)	09 422	300	130
	09 423	400	
	09 424	500	
	09 425	600	

### Closed base cable trays H 60 - 100 - 130

Length 3 m



Colour	Code	Base (mm)	Height (mm)
	06 800	100	
	06 801	200	
(L)	06 802	300	60
	06 803	400	
	06 804	500	
	06 805	600	
	06 808	100	
	06 809	200	
(L)	06 810	300	100
	06 811	400	
	06 812	500	
	06 813	600	
	06 816	100	
	06 817	200	
(L)	06 818	300	130
	06 819	400	
	06 820	500	
	06 821	600	

### Punched base cable trays H 60 - 100 - 130

Length 3 m



Colour	Code	Base (mm)	Height (mm)
	06 824	100	
	06 825	200	
(L)	06 826	300	60
	06 827	400	
	06 828	600	
	06 829	600	
	06 830	100	
	06 831	200	
(L)	06 832	300	100
	06 833	400	
	06 834	600	
	06 835	600	
	06 838	100	
	06 839	200	
(L)	06 840	300	130
	06 841	400	
	06 842	600	
	06 843	600	

### Cable ladders for naval application H 45

Length 3 m



Colour	Code	Base (mm)
	06 200	150
	06 201	200
(M)	06 202	300
	06 203	400
	06 204	500
	06 205	600

(G) Galvanised  
(H) RAL 7032 grey  
(I) Bright blue

(L) Hot dip galvanised after production

(L) Hot dip galvanised after production

(L) Hot dip galvanised after production

(M) Electrogalvanization

IMO

-

-

-

-

Industrial

Industrial

Industrial

Industrial

Industrial

Yes

Yes

Yes

Yes

Yes

-

-

-

-

Yes

Page 9/18

Pages 9/48-9/56-9/64

Pages 9/72-9/80-9/88

Pages 9/72-9/80-9/88

Page 9/96





## Index

Proposals for using plastic trunking systems.....	2/2
Example of application in cellars/lockups .....	2/4
Example of application in fairs/galleries/exhibitions .....	2/5
Example of application for covered balconies/terraces .....	2/6
Example of application in corridors/connection spaces.....	2/7
Example of application for desks/benches/reading rooms .....	2/8
Example of applications for elements to be installed under shelves or under wall-cupboards.....	2/9

---

## Application sheets

### Proposals for using plastic trunking systems

---

During the last few years residential, working and public spaces have undergone many transformations which have given them more and more technological features.

The quick evolution of new electronic and IT devices which are available on the market has highlighted the need for flexible electric networks and plants, which can easily be adapted to any changes that could occur over time. In this new context, the systems for sight trunking of the electric plant represent the ideal solution for the various installation requirements of the "residential" sector.

### ABB plastic trunking systems

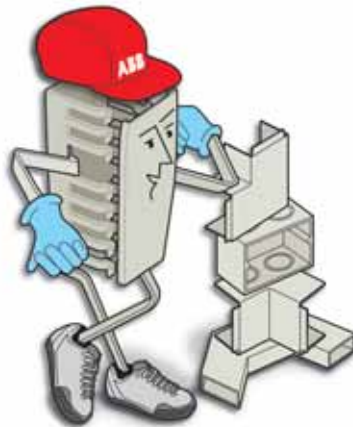
The possibility to offer a complete system that can solve all distribution-related problems is the main strength of ABB plastic trunking systems.

2



- **Low cost**

Trunking installation does not require building works and, as a consequence, it costs less than other installation systems for electric plants.



- **Flexibility**

The availability of many elements, which are perfectly compatible, allows you to perform an almost infinite range of possible enlargements and changes with very few activities.



- **Quickness and ease of installing**

The possibility for wall installation, also by means of a both sides adhesive tape, makes the installation easier and reduces the installation time.

---

## Application sheets

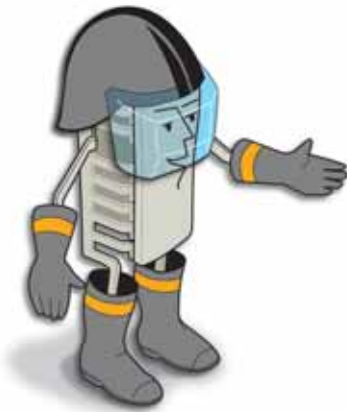
### Proposals for using plastic trunking systems

---



- **Wiring possibility for electric plants and data transfer networks**

In those areas where there are cables (for energy, telematics, IT, etc.), plastic trunking allows you to install extremely versatile plants that integrate into one single element the distribution of the different networks.



- **Safety**

Due to the fact that it is used for hiding cables, trunking guarantees the adequate safety level for the electric plant.

2

### Application possibilities

ABB plastic trunking systems can have multiple applications.

The idea that the electric plant is a purely technical element to be hidden does not apply any more: when some components, such as circuit-breakers, acquire an own aesthetical value, trunkings themselves become elements to be inserted harmonically into the environment, as real furniture pieces.

One possible use is the creation of a distribution system that uses different elements and that exploits, at a compositional level, the differences and the contrasts offered by the different types of plastic trunkings.

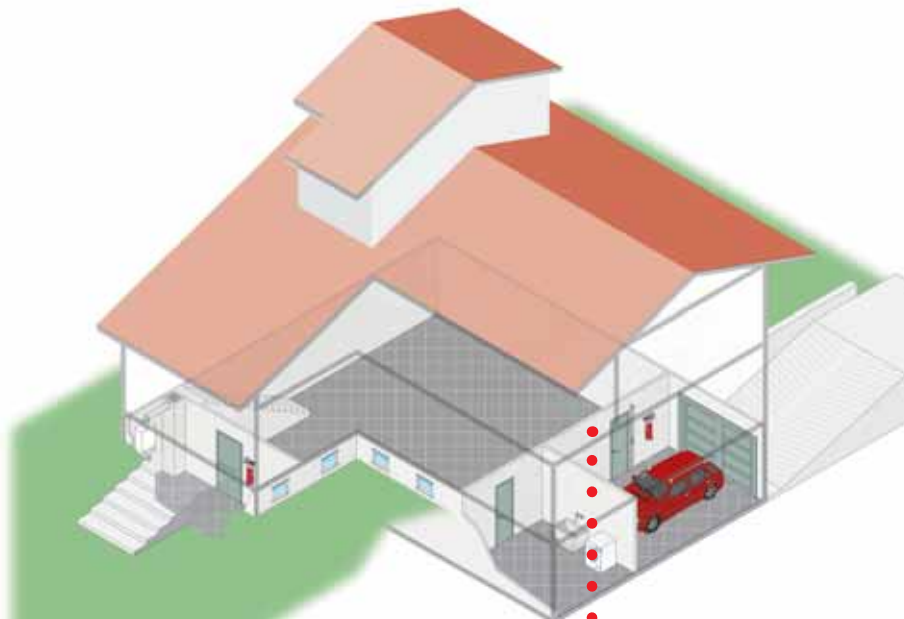
Another possibility is represented by the use of plastic trunkings as single elements harmonised with some furniture elements.

In the following pages there are some practical examples for using ABB trunking systems in different spaces and situations.

# Application sheets

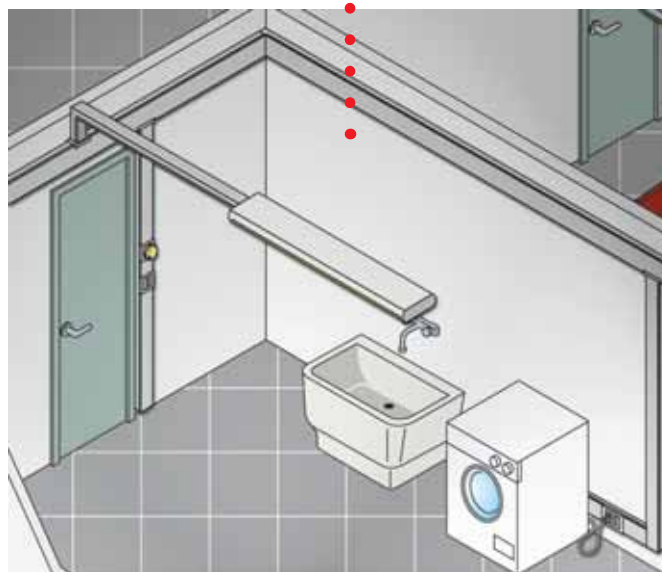
Using plastic trunking systems with the application of interface elements which are functional to the environment

## Example of application in cellars/lockups



### The problem

In cellars and lockups the electric plant distribution must take into account the different uses of these spaces and the different needs to be fulfilled. Lights, sockets, switches, sensors, emergency lights and any other type of electric devices must be installed so that they can easily be reached.

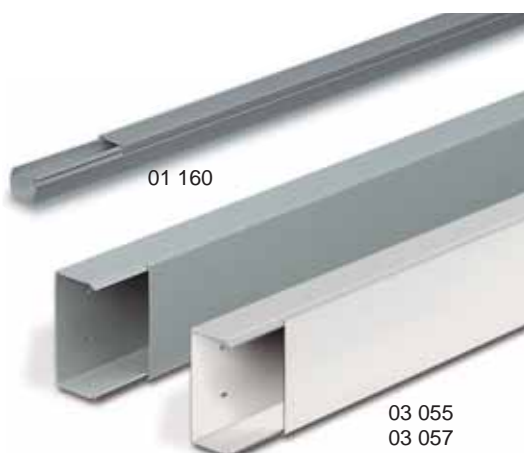


### The solution proposed by ABB

ABB plastic trunkings represent the ideal solution for this application: easy to install and economical, they offer the possibility to create a flexible and appealing distribution system of the electric plant.

### ABB components

In the illustrated solution a grey feeder trunking 150x60 (art. 03 057) has been used as a horizontal upright; from this trunking, in vertical direction, originate grey feeder trunkings 100x60 (art. 03 055) which are connected to the upright by means of a tee branch (art. 03 528). Switch-socket boxes with interaxis 83.5 mm (art. 03 724) and the relevant finishing plates (art. 03 755) are installed on the trunkings. For the lighting point a grey mini-trunking 15x17 (art. 01 160) has been used, originating from a junction box (art. 03 687).



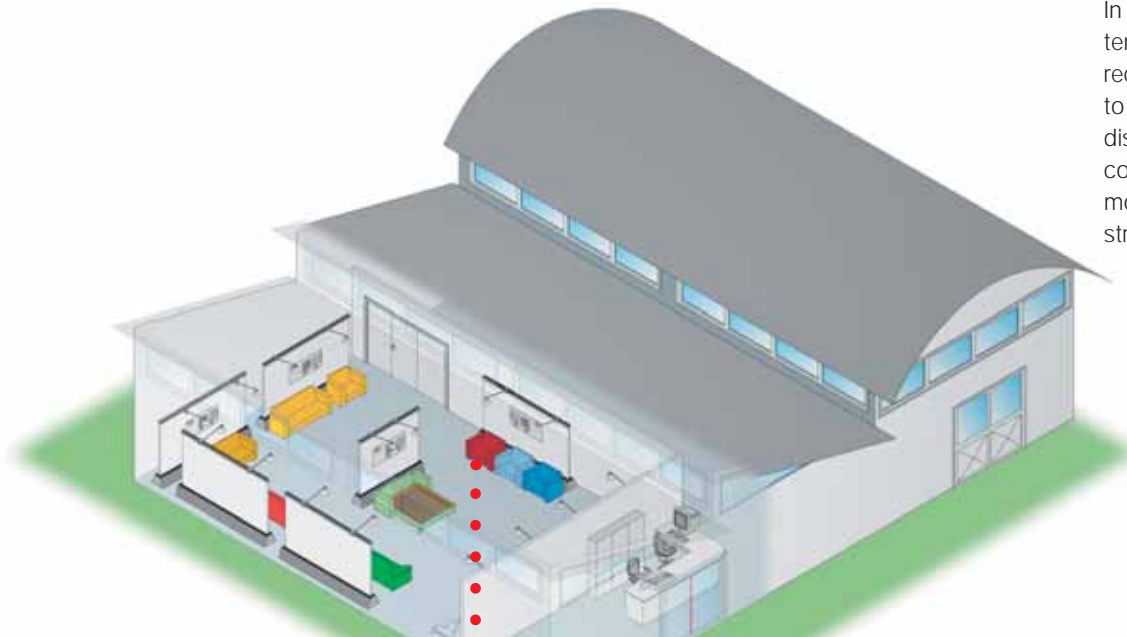
# Application sheets

## Using plastic trunking systems with the application of interface elements which are functional to the environment

### Example of application in fairs/galleries/exhibitions

#### The problem

In those spaces where temporary outfitting is required, it is necessary to have adequate electric distribution that allows easy connection activities of mobile elements to the fixed structures.



#### The solution proposed by ABB

Using ABB plastic trunkings, a very flexible electric distribution system can be created. The wide variety of the available elements allows for different installation solutions.



#### ABB components

In the illustrated solution the base element is a design styled cable trunking measuring 100x68 (art. 44 012); on this trunking are installed switch-socket boxes with interaxis 83.5 mm (art. 44 352; the finishing plate is included). The distribution system can also be equipped with different accessories according to the specific needs: internal corner (art. 44 132), end cap (art. 44 212), etc.



44 012



44 132



44 212



44 352



## Application sheets

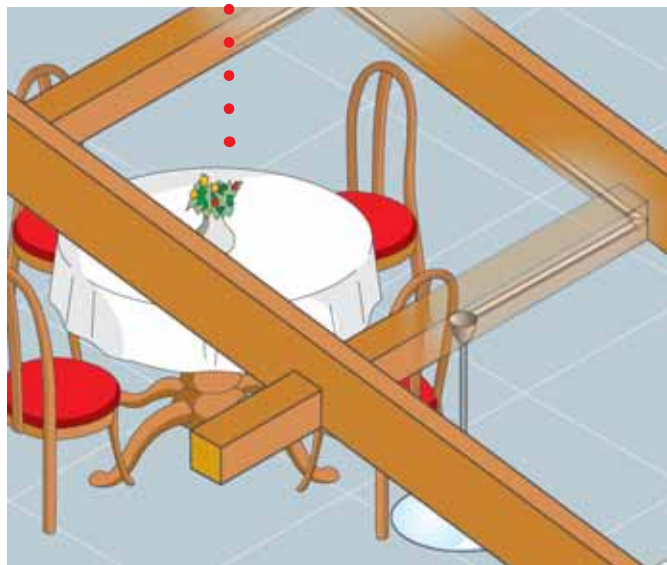
Using plastic trunking systems with the application of interface elements which are functional to the environment

### Example of application for covered balconies/terraces



#### The problem

In particular environments such as covered balconies and terraces, very often there is the problem of how to install an electric distribution system that completely fulfils all installation needs and at the same time is perfectly integrated in the context.

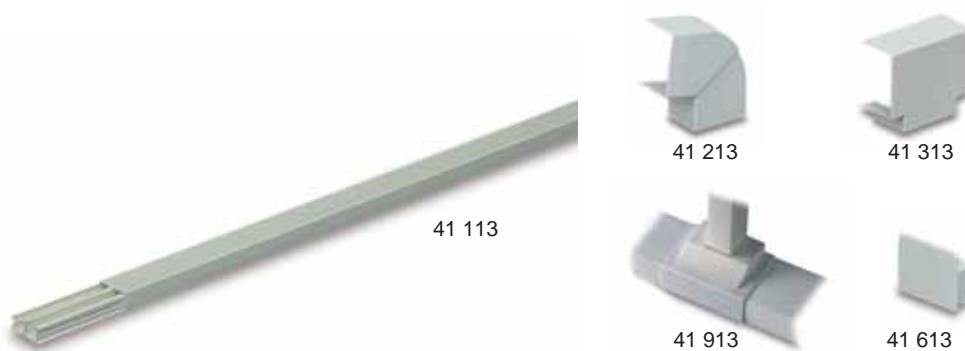


#### The solution proposed by ABB

ABB plastic trunkings represent a good solution to this problem. As many linear elements are available, it is possible to mask the double insulated cable passage and to create a complete and capillary electric distribution plant.

#### ABB components

Equipped mini-trunkings with adhering cover 30x17 (art. 41 113) have been used for the cable passage. Wall elements are connected with ceiling elements by means of the suitable wall/ceiling flat tee branch (art. 41 913). Various accessories can be installed to complete the system: flat tee branch (art. 41 313); end cap (art. 41 613); adjustable flat corner (art. 41 213), etc.

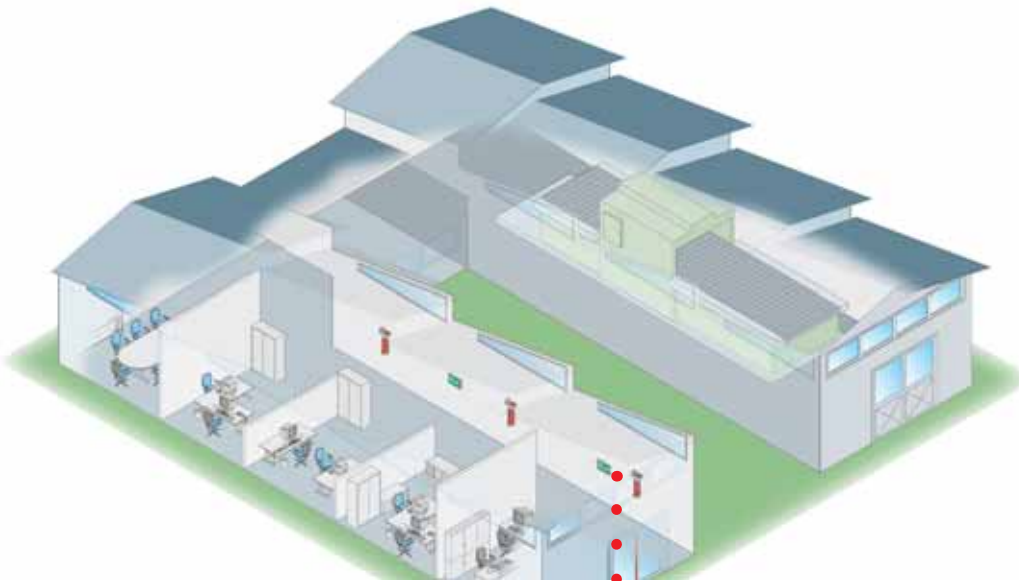


# Application sheets

## Using plastic trunking systems with the application of diversified interface elements

2

### Example of application in corridors/connection spaces

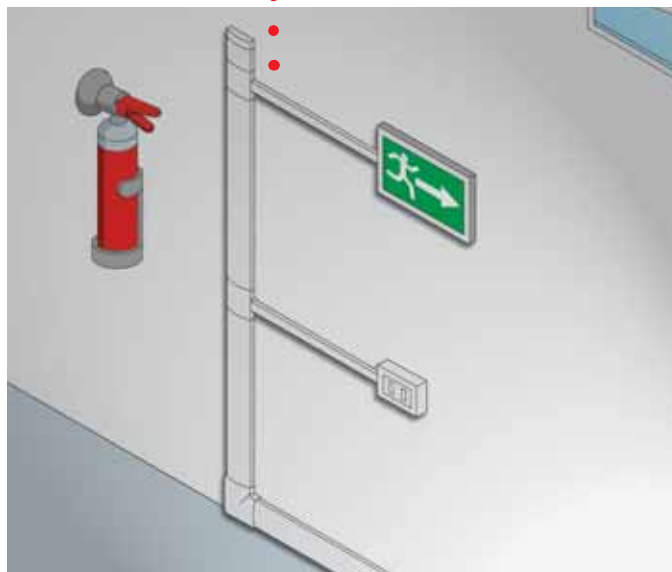


#### The problem

The installation of an electric distribution plant in corridors and connection spaces often presents some difficulties in relation to the possibility of harmonising the various installation requirements of these particular spaces. More specifically, it is necessary to foresee, in addition to a suitable lighting, the installation of safety devices and the presence of structural elements that fulfill the specific needs for providing information linked to the function of these spaces.

#### The solution proposed by ABB

ABB plastic trunkings are a simple and functional solution for these specific situations: the different components can be used for connecting plant elements with safety devices, for linking lighting with information needs, etc. Moreover the use of a trunking system guarantees high versatility to the plant: thanks to the wide range of products it is possible to carry out any necessary changes or enlargements in any time and without difficulties.



#### ABB components

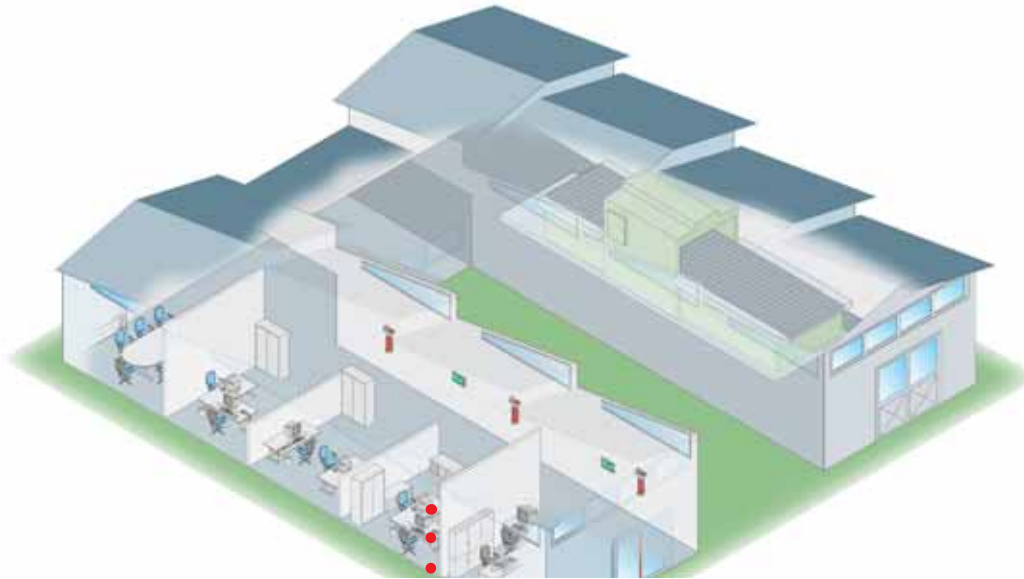
In the illustrated solution a skirting trunking resting on the floor (art. 42 010) has been used, with its relevant cover (art. 42 015), another skirting trunking (art. 42 010) with cover (art. 42 015) is connected to the first one by means of the suitable 90° flat corner (art. 42 025 or 42 028). From the vertical element originates a mini-trunking 30x10 (art. 41 103) that ends with a switch-socket box (art. 41 823). The box for flat branch connections (art. 42 032) is used for the connection between mini-trunkings and dado trunking.



# Application sheets

## Using plastic trunking systems with the application of diversified interface elements

### Example of application for desks/benches/reading rooms

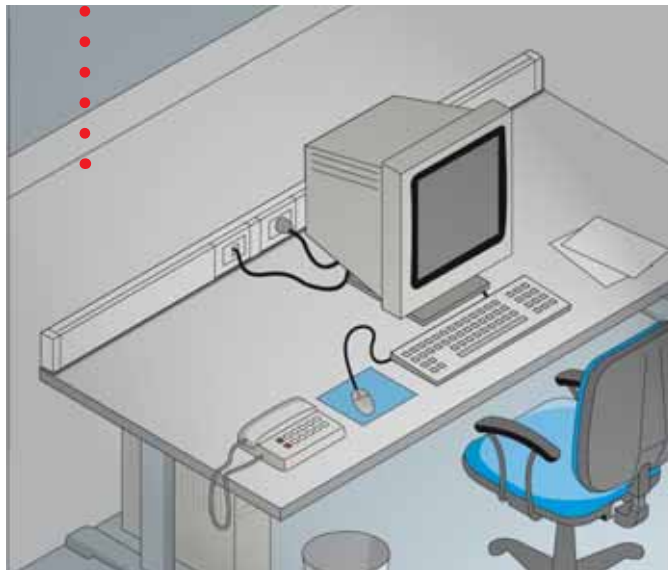


#### The problem

The fitting of work stations in an office as well as in school laboratories or in reading rooms of libraries or museums requires that the project foresees a great number of functional enlargements; in particular it is necessary to provide for the integration of additional electronic devices (ex. new peripheral units/ laptops) without having to change the fittings on the occasion of each change in the organisation of the services that can be accessed from the same work stations.

#### The solution proposed by ABB

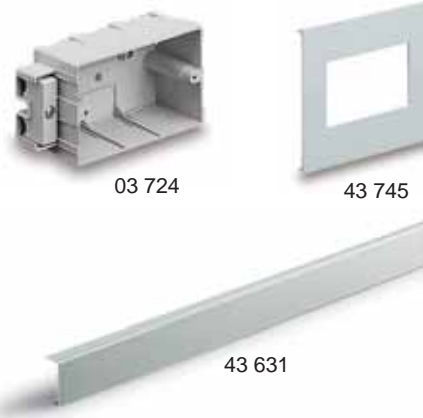
If the desk is equipped with a trunking system, it is possible, when needed, to increase the number and type of connections (electric circuits, telephone devices, data transmission, etc.) just by adding switch-socket boxes, connection boxes and other elements that increase the usage possibilities and, at the same time, respect the choices made during the planning phase.



#### ABB components

In the illustrated solution a cable trunking 150x60 (art. 43 097) with separator (art. 43 631) has been installed on the wall touching the desk for dividing current and data circuits.

Then two switch-socket boxes (art. 03 724) with finishing plate (art. 43 745) have been installed, for a total of six installed devices.

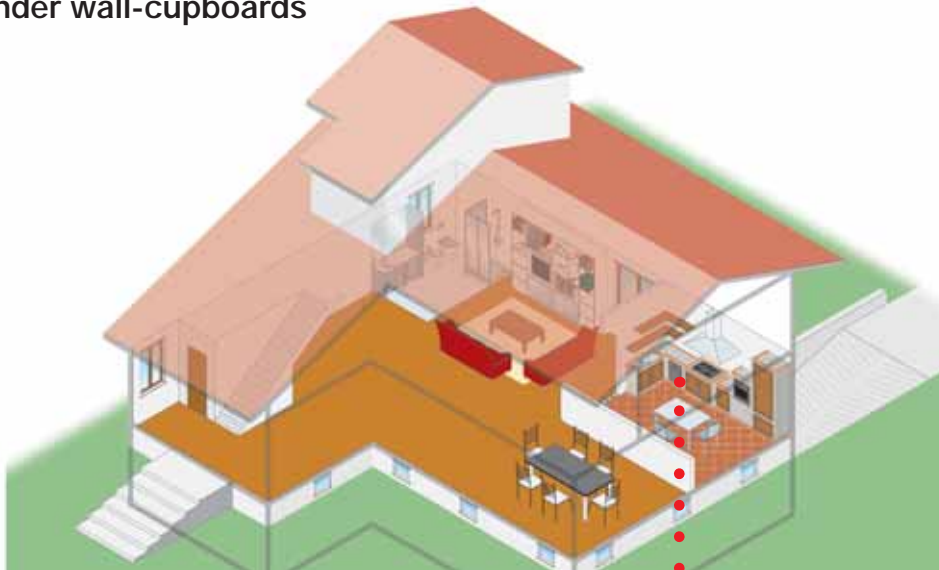


# Application sheets

## Using plastic trunking systems to be integrated with furniture

2

### Example of application for elements to be installed under shelves or under wall-cupboards



#### The problem

The increasingly widespread use of household appliances and electric appliances in studies, bedrooms and kitchens implies the necessity to have an electric distribution plant that is perfectly harmonised with the environment and that can fulfil the various requirements of these spaces (not only the electric distribution, but also lighting and the possibility to be integrated with other accessories).



#### The solution proposed by ABB

ABB plastic trunkings solve this problem in a functional way: they can be installed under shelves or under wall-cupboards and guarantee the necessary flexibility and user friendliness.

#### ABB components

The drawing shows a wall-mounted cable trunking 100x60 (art. 43 095) with end caps (art. 43 404). Switch-socket boxes (art. 03 724) and finishing plates for three devices (art. 43 744) are installed on it.







## Trunkings for air-conditioning installations

### Index

Trunkings and other components .....	3/2
--------------------------------------	-----



### Technical details

- degree of protection IP40
- **colour RAL 9001 white**
- self-extinguishing and shock-proof insulating plastic material
- standard 2-metre long bars with cover
- snap-on fixing of the accessory and cover on the trunking
- the cover can be removed with a tool

# Trunkings for air-conditioning installations

## Trunkings and other components



Article	Dimensions WxH (mm)	Colour	Unit/pack-metres
---------	---------------------	--------	------------------

### Trunkings with cover

1SL9200A00	60x40	White	30
1SL9201A00	80x60	White	16
1SL9202A00	100x60	White	16

Article	Dimensions WxH (mm)	Colour	Unit/pack-pieces
---------	---------------------	--------	------------------

### 90° flat corner

1SL9210A00	60x40	White	10
1SL9211A00	80x60	White	10
1SL9212A00	100x60	White	10

### 90° internal corner

1SL9215A00	60x40	White	10
1SL9216A00	80x60	White	10
1SL9217A00	100x60	White	10

### 90° external corner

1SL9220A00	60x40	White	10
1SL9221A00	80x60	White	10
1SL9222A00	100x60	White	10

### End cap

1SL9225A00	60x40	White	20
1SL9226A00	80x60	White	20
1SL9227A00	100x60	White	20

### Curved wall fitting

1SL9230A00	60x40	White	10
1SL9231A00	80x60	White	10
1SL9232A00	100x60	White	10



# Trunkings for air-conditioning installations

## Trunkings and other components

3



Article	Dimensions WxH (mm)	Colour	Unit/pack-pieces
---------	---------------------	--------	------------------

### Linear wall fitting

1SL9235A00	60x40	White	20
1SL9236A00	80x60	White	20
1SL9237A00	100x60	White	20

### Tee branch

1SL9240A00	60x40	White	10
1SL9241A00	80x60	White	10
1SL9242A00	100x60	White	10

### Joint cover

1SL9245A00	60x40	White	20
1SL9246A00	80x60	White	20
1SL9247A00	100x60	White	20



## Index

Self-adhesive mini-trunkings .....	4/2
Equipped mini-trunkings .....	4/4
Accessories for equipped mini-trunkings .....	4/8



## Technical details

- available in two versions:
  - without cover, suitable for snap-on application of single cables (aerial, telephone and electric circuits)
  - with a hinged cover that makes it easier to position the cables during installation
- **colour RAL 9016 white**
- plastic, insulating, shock-proof, self-extinguishing material in compliance with UL 94 V0 Standard and resistant to abnormal heat and fire up to 960°C (glow wire test) in compliance with IEC 695-2-1 Standard
- dimensional stability from -20 to +60°C
- resistant to acids, oils and greases
- standard 2-metre long bars
- easy-to-position self-adhesive base
- acrylic-base adhesive, resistant to the light and to ageing
- residential application

# Mini-trunkings

## Self-adhesive mini-trunkings



Article	Dimensions WxH (mm )	For cables Ø (mm)	Weight kg/m	
---------	----------------------	-------------------	-------------	--

### Mini-trunking without cover

41 010	7.5x7	4-5,5	0,03	176
41 015	10x9	6-8	0,04	140
41 020	12x11	8-10	0,04	104

### Mini-trunking with hinged cover

41 040	9x4.5		0,03	224
41 045	12,5x7		0,04	100
41 050	12.5x12.5		0,08	60
41 055	17x17		0,09	32

Article	Description (mm)	Unit/pack - pieces
---------	------------------	--------------------

### Bi-adhesive tape

This is fixed onto the base of the mini-trunkings or wiring ducts to make installation easier (50-metre roll).

05 930	50-metre roll, H 6 mm	10
05 932	50-metre roll, H 9 mm	10

### Duct shears

05 920	45° or 90° duct – max wiring duct 40x17 mm	1
--------	--	---

### Glue

05 940	Tube of glue for gun	1/16
--------	----------------------	------



## Technical details

- degree of protection IP40
- colours:
  - **RAL 9016 white**
  - RAL 7035 grey
  - RAL 8014 brown
- plastic, insulating, shock-proof, self-extinguishing material in compliance with UL 94 V0 Standard and resistant to abnormal heat and fire up to 960 °C (glow wire test) in compliance with IEC 695-2-1 Standard
- dimensional stability from -20 to +60 °C
- resistant to acids, oils and greases
- resistance to impacts: 6 joules
- wall and ceiling mounting, fastening with dowels
- suitable as feeder and cable trunking (external)
- two types of covers: standard and adhering
- **mounted cover** (except in H 30)
- accessories common to both types of covers
- standard 2-metre bars complete with cover
- ready-made holes on the base for fastening to the wall
- residential application

FLCP9603



IMQ mark  
in compliance with CEI 23-32+V1 Standard

# Mini-trunkings

## Equipped mini-trunkings



Article	Dimensions WxH (mm)	Compartments	Colour	Unit/pack-metres
---------	---------------------	--------------	--------	------------------

### Mini-trunking with standard cover

41 080	20x10 [IMQ]	1	White	96
41 081	20x10 [IMQ]	2	White	96
41 083	30x10 [IMQ]	1	White	64
41 084	30x10 [IMQ]	2	White	64
41 110	15x17 [IMQ]	1	White	92
41 091	30x17 [IMQ]	1	White	72
41 092	40x17 [IMQ]	2	White	48
41 093	60x17 [IMQ]	3	White	36
41 117	25x30 [IMQ]	1	White	60
41 119	40x30 [IMQ]	1	White	40
01 160	15x17 [IMQ]	1	Grey	92
01 180	15x17 [IMQ]	1	Brown	92

### Mini-trunking with adhering cover\*

41 101	20x10 [IMQ]	1	White	96
41 102	20x10 [IMQ]	2	White	96
41 103	30x10 [IMQ]	1	White	64
41 104	30x10 [IMQ]	2	White	64
41 106	40x10 [IMQ]	2	White	48
41 111	15x17 [IMQ]	1	White	92
41 113	30x17 [IMQ]	1	White	72
41 114	30x17 [IMQ]	2	White	72
41 115	40x17 [IMQ]	2	White	48
41 116	60x17 [IMQ]	3	White	36
41 120	60x30 [IMQ]	3	White	34
01 151	20x10 [IMQ]	1	Grey	96
01 163	30x17 [IMQ]	1	Grey	72
01 171	20x10 [IMQ]	1	Brown	96
01 183	30x17 [IMQ]	1	Brown	72

\* Special tool required for removing covers

Article	Trunking dimensions WxH (mm)	Colour
---------	------------------------------	--------

### Adjustable flat corner

41 202	20x10 [IMQ]	White	40
41 204	30x10 [IMQ]	White	40
41 206	40x10 [IMQ]	White	40
41 210	15x17 [IMQ]	White	40
41 213	30x17 [IMQ]	White	40
41 215	40x17 [IMQ]	White	40
41 216	60x17 [IMQ]	White	20
41 217	25x30 [IMQ]	White	40
41 219	40x30 [IMQ]	White	20
41 220	60x30 [IMQ]	White	10
01 252	20x10 [IMQ]	Grey	40
01 260	15x17 [IMQ]	Grey	40
01 263	30x17 [IMQ]	Grey	40
01 272	20x10 [IMQ]	Brown	40
01 280	15x17 [IMQ]	Brown	40
01 283	30x17 [IMQ]	Brown	40

# Mini-trunkings

## Equipped mini-trunkings

4



FLCPR023



FLCPR024



FLCPR025

Article	Trunking dimensions WxH (mm)	Colour	Unit/pack – pieces
---------	------------------------------	--------	--------------------

### Flat tee branch

41 302	20x10 [IMQ]	White	40
41 304	30x10 [IMQ]	White	40
41 306	40x10 [IMQ]	White	40
41 310	15x17 [IMQ]	White	40
41 313	30x17 [IMQ]	White	40
41 315	40x17 [IMQ]	White	40
41 316	60x17 [IMQ]	White	40
41 317	25x30 [IMQ]	White	40
41 319	40x30 [IMQ]	White	40
41 320	60x30 [IMQ]	White	20
01 352	20x10 [IMQ]	Grey	40
01 360	15x17 [IMQ]	Grey	40
01 363	30x17 [IMQ]	Grey	40
01 372	20x10 [IMQ]	Brown	40
01 380	15x17 [IMQ]	Brown	40
01 383	30x17 [IMQ]	Brown	40

### Adjustable internal corner

41 402	20x10 [IMQ]	White	40
41 404	30x10 [IMQ]	White	40
41 406	40x10 [IMQ]	White	40
41 410	15x17 [IMQ]	White	40
41 413	30x17 [IMQ]	White	40
41 415	40x17 [IMQ]	White	40
41 416	60x17 [IMQ]	White	40
41 417	25x30 [IMQ]	White	40
41 419	40x30 [IMQ]	White	40
41 420	60x30 [IMQ]	White	20
01 452	20x10 [IMQ]	Grey	40
01 460	15x17 [IMQ]	Grey	40
01 463	30x17 [IMQ]	Grey	40
01 472	20x10 [IMQ]	Brown	40
01 480	15x17 [IMQ]	Brown	40
01 483	30x17 [IMQ]	Brown	40

### Adjustable external corner

41 502	20x10 [IMQ]	White	40
41 504	30x10 [IMQ]	White	40
41 506	40x10 [IMQ]	White	40
41 510	15x17 [IMQ]	White	40
41 513	30x17 [IMQ]	White	40
41 515	40x17 [IMQ]	White	40
41 516	60x17 [IMQ]	White	40
41 517	25x30 [IMQ]	White	40
41 519	40x30 [IMQ]	White	20
41 520	60x30 [IMQ]	White	20
01 552	20x10 [IMQ]	Grey	40
01 560	15x17 [IMQ]	Grey	40
01 563	30x17 [IMQ]	Grey	40
01 572	20x10 [IMQ]	Brown	40
01 580	15x17 [IMQ]	Brown	40
01 583	30x17 [IMQ]	Brown	40

# Mini-trunkings

## Equipped mini-trunkings



Article	Trunking dimensions WxH (mm)	Colour	Unit/pack – pieces
---------	------------------------------	--------	--------------------

### End cap

41 602	20x10 [IMQ]	White	40
41 604	30x10 [IMQ]	White	40
41 606	40x10 [IMQ]	White	40
41 610	15x17 [IMQ]	White	40
41 613	30x17 [IMQ]	White	40
41 615	40x17 [IMQ]	White	40
41 616	60x17 [IMQ]	White	40
41 617	25x30 [IMQ]	White	40
41 619	40x30 [IMQ]	White	40
41 620	60x30 [IMQ]	White	40
01 652	20x10 [IMQ]	Grey	40
01 660	15x17 [IMQ]	Grey	40
01 663	30x17 [IMQ]	Grey	40
01 672	20x10 [IMQ]	Brown	40
01 680	15x17 [IMQ]	Brown	40
01 683	30x17 [IMQ]	Brown	40

### Flat joint

41 702	20x10 [IMQ]	White	40
41 704	30x10 [IMQ]	White	40
41 706	40x10 [IMQ]	White	40
41 710	15x17 [IMQ]	White	40
41 713	30x17 [IMQ]	White	40
41 715	40x17 [IMQ]	White	40
41 716	60x17 [IMQ]	White	40
41 717	25x30 [IMQ]	White	40
41 719	40x30 [IMQ]	White	40
41 720	60x30 [IMQ]	White	40
01 752	20x10 [IMQ]	Grey	40
01 760	15x17 [IMQ]	Grey	40
01 763	30x17 [IMQ]	Grey	40
01 772	20x10 [IMQ]	Brown	40
01 780	15x17 [IMQ]	Brown	40
01 783	30x17 [IMQ]	Brown	40

### Wall/ceiling tee branch connection

41 902	20x10 [IMQ]	White	20
41 904	30x10 [IMQ]	White	10
41 906	40x10 [IMQ]	White	10
41 910	15x17 [IMQ]	White	20
41 913	30x17 [IMQ]	White	10
41 915	40x17 [IMQ]	White	10
41 916	60x17 [IMQ]	White	10
41 917	25x30 [IMQ]	White	10
41 919	40x30 [IMQ]	White	10
41 920	60x30 [IMQ]	White	10
01 930	20x10 [IMQ]	Grey	20
01 932	15x17 [IMQ]	Grey	20
01 934	30x17 [IMQ]	Grey	10
01 940	20x10 [IMQ]	Brown	20
01 942	15x17 [IMQ]	Brown	20
01 944	30x17 [IMQ]	Brown	10

Overall dimensions ..... pages 12/4 - 12/8



# Mini-trunkings

## Accessories for equipped mini-trunkings

4



Article	Trunking height (mm)	Colour	Unit/pack – pieces
---------	----------------------	--------	--------------------

### Box for flat branch connections

Complete with circuit separator

41 800	10 – 17 [IMQ]	White	1/60
41 803	10 – 17 – 30 [IMQ]	White	1/40
01 802	10 – 17 [IMQ]	Grey	1/60
01 804	10 – 17 – 30 [IMQ]	Grey	1/40
01 801	10 – 17 [IMQ]	Brown	1/60
01 805	10 – 17 – 30 [IMQ]	Brown	1/40

Article	Description (mm)	Colour	Unit/pack- pieces
---------	------------------	--------	-------------------

### Italian standard switch-socket floor box

For 2 Vimar 8000 series or Bticino Magic devices with supplied adapter.

Side trimmings for H 10 and H 17 mini-trunkings (except for 60x17).

41 806	2 devices [IMQ]	White	1/60
01 808	2 devices [IMQ]	Grey	1/60
01 810	2 devices [IMQ]	Brown	1/60

41 818	Inter. 60 mm [IMQ]	White	1/20
01 820	Inter. 60 mm [IMQ]	Grey	1/20
01 821	Inter. 60 mm [IMQ]	Brown	1/20

### Italian standard telephone socket box

For fitting a unified telephone socket.

Side trimmings for H 10 and H 17 mini-trunkings (except for 60x17).

41 812	Telephone socket [IMQ]	White	1/60
01 814	Telephone socket [IMQ]	Grey	1/60
01 816	Telephone socket [IMQ]	Brown	1/60

Switch-socket floor boxes and telephone socket boxes must be installed at a minimum height of 175 mm from the axis at which the socket is inserted at floor level, in compliance with CEI 64-8 Standard

Article	Device	Modules	Mounting	Colour	Unit/pack-pieces
---------	--------	---------	----------	--------	------------------

### French standard switch-socket box

For 1/2 Gallon and Mosaic type devices. Side trimmings for H 10, H 17 and H 30 mini-trunkings.

41 840	Gallon	1	Horizontal	White	1/60
41 842	Gallon	1	Vertical	White	1/60
41 844	Gallon	2	Horizontal	White	1/60
41 846	Mosaic	2	Horizontal/Vertical	White	1/60

### Spanish standard switch-socket box

For 2 and 4 Stylo type devices. Side trimmings for H 10, H 17 and H 30 mini-trunkings.

41 850	Stylo	2	Horizontal/Vertical	White	1/16
41 854	Stylo	4	Horizontal	White	1/60

# Mini-trunkings

## Accessories for equipped mini-trunkings



BLCR9008



FLCP9128



FLCP9032



FLCP9033

Article	Description (mm)	Colour	Unit/pack- pieces
---------	------------------	--------	-------------------

### Frame for flush-mounting box

For branch connection with H 10 mm mini-trunking. Attached onto flush-mounting switch-socket box using 2 screws (supplied).

41 829	Inter-axis 83.5	White	1/10
--------	-----------------	-------	------

### Switch-socket box

Side trimmings for H 10, 17 and 30 mini-trunkings.

For fitting a telephone socket on box with 83.5 interaxis use cover supplied separately (art. 42 112).

#### Box for 2 devices (or fasteners)

42 096	Inter. 60/67 mm [IMQ]	White	1/30
02 099	Inter. 60/67 mm [IMQ]	Grey	1/30
02 098	Inter. 60/67 mm [IMQ]	Brown	1/30

#### Box for 3 devices depth 43 mm

41 823	Inter. 83.5 mm [IMQ]	White	1/28
01 826	Inter. 83.5 mm [IMQ]	Grey	1/28
01 828	Inter. 83.5 mm [IMQ]	Brown	1/28

#### Box for 3 devices depth 53 mm

41 822	Inter. 83.5 mm [IMQ]	White	1/24
01 825	Inter. 83.5 mm [IMQ]	Grey	1/24
01 827	Inter. 83.5 mm [IMQ]	Brown	1/24

#### Box for 4 devices

41 830	Inter. 108 mm [IMQ]	White	1/20
01 831	Inter. 108 mm [IMQ]	Grey	1/20
01 832	Inter. 108 mm [IMQ]	Brown	1/20

### Cover- interaxis 83.5 mm

Attached onto switch-socket box with 2 screws.

42 112	Telephone socket [IMQ]	White	20
42 122	Plain cover [IMQ]	White	20

### Coupler for mini-trunkings

In self-extinguishing thermoplastic.

Used with watertight equipment and boxes (see catalogue 1SLC001001D0902).

Degree of protection IP40.

45 965	With Ø 20 mm - 15x17 mm [IMQ]	White	20
45 966	With Ø 25 mm - 15x17-25x30 mm [IMQ]	White	20
45 967	With Ø 32 mm - 15x17-25x30-40x30 mm [IMQ]	White	20
45 968	With Ø 20 mm - 20x10-30x10 mm [IMQ]	White	20
45 969	With Ø 25 mm - 30x10-40x10 mm [IMQ]	White	20
05 960	With Ø 20 mm - 15x17 mm [IMQ]	Grey	20
05 963	With Ø 20 mm - 20x10-30x10 mm [IMQ]	Grey	20





# Feeder and cable trunkings

## Index

Feeder and cable trunkings .....	5/2
Accessories for feeder and cable trunkings.....	5/9
Design styled cable trunkings.....	5/16
Accessories for design styled cable trunkings.....	5/19



## Technical details

- degree of protection IP40
- available in two versions:
  - feeder trunkings
  - cable trunkings
- colours:
  - **RAL 9016 white**
  - RAL 7030 grey
- plastic, insulating, shock-proof, self-extinguishing material in compliance with UL 94 V0 Standard and resistant to abnormal heat and fire up to 960 °C (glow wire test) in compliance with IEC 695-2-1 Standard
- dimensional stability from -20 to +60 °C
- resistant to acids, oils and greases
- resistance to impacts: 6 joules
- standard 2-metre long bars with cover
- wall and ceiling mounting, fastening with dowels
- ready-made holes on the base for fastening to the wall
- covers can be removed by hand and, using the special retainers, they can also be removed using a tool
- residential and commercial application

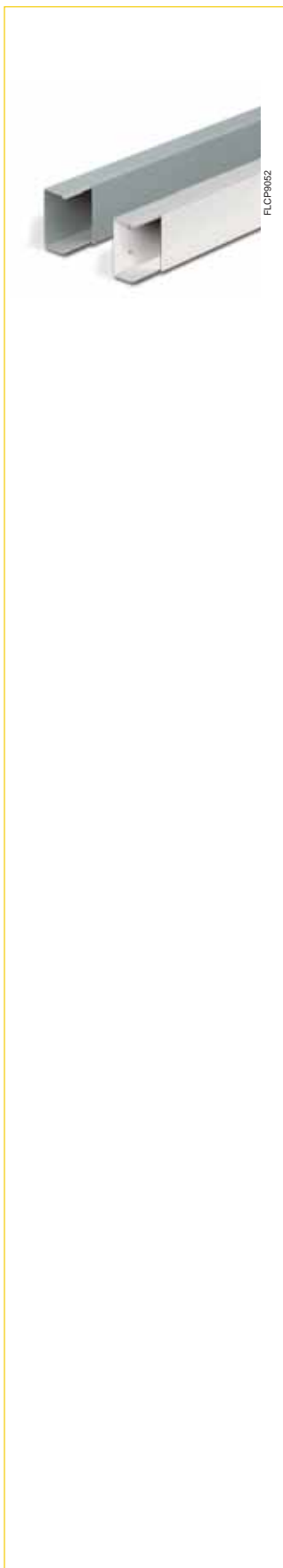
FLCP9806



IMQ mark  
in compliance with CEI 23-32+V1 Standard

# Feeder and cable trunkings

## Feeder and cable trunkings



Article	Dimensions W (mm)	Colour	Pack-metres
---------	-------------------	--------	-------------

### Feeder trunkings IP40

#### H 40

43 002	40 [IMQ]	White	60
43 003	60 [IMQ]	White	40
43 004	80 [IMQ]	White	32
43 005	100 [IMQ]	White	24
43 006	120 [IMQ]	White	20
03 042	40 [IMQ]	Grey	60
03 043	60 [IMQ]	Grey	40
03 044	80 [IMQ]	Grey	32
03 045	100 [IMQ]	Grey	24
03 046	120 [IMQ]	Grey	20

#### H 60

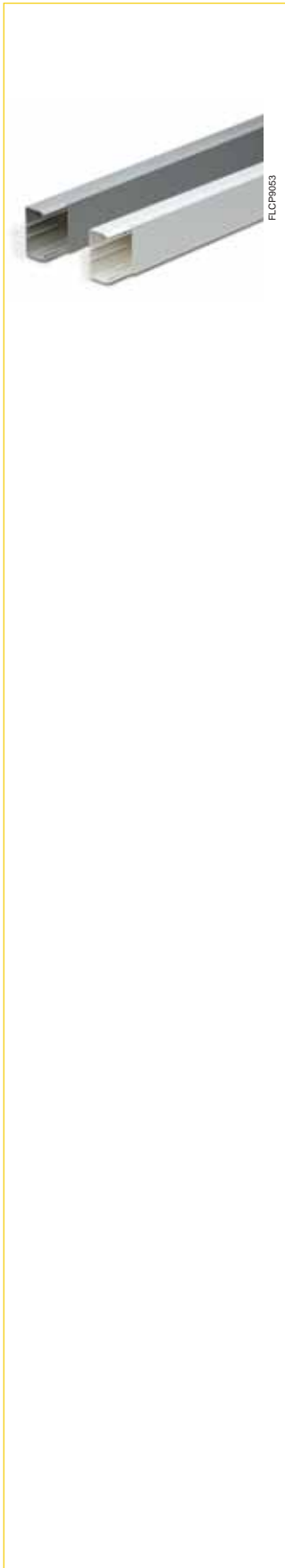
43 013	60 [IMQ]	White	32
43 014	80 [IMQ]	White	24
43 015	100 [IMQ]	White	18
43 016	120 [IMQ]	White	14
43 017	150 [IMQ]	White	12
43 018	200 [IMQ]	White	8
03 053	60 [IMQ]	Grey	32
03 054	80 [IMQ]	Grey	24
03 055	100 [IMQ]	Grey	18
03 056	120 [IMQ]	Grey	14
03 057	150 [IMQ]	Grey	12
03 058	200 [IMQ]	Grey	8

#### H 80

43 025	100 [IMQ]	White	16
43 026	120 [IMQ]	White	12
43 027	150 [IMQ]	White	8
43 028	200 [IMQ]	White	8
03 065	100 [IMQ]	Grey	16
03 066	120 [IMQ]	Grey	12
03 067	150 [IMQ]	Grey	8
03 068	200 [IMQ]	Grey	8

# Feeder and cable trunkings

## Feeder and cable trunkings



Article	Dimensions W (mm)	N° of installable separators	Colour	Pack-metres
---------	-------------------	------------------------------	--------	-------------

### Cable trunkings IP40

#### H 40

43 085*	100 [IMQ]	2	White	24
43 086*	120 [IMQ]	4	White	20
03 115*	100 [IMQ]	2	Grey	24
03 116*	120 [IMQ]	4	Grey	20

#### H 60

43 095*	100 [IMQ]	2	White	18
43 096*	120 [IMQ]	4	White	14
43 097*	150 [IMQ]	4	White	12
43 098*	200 [IMQ]	6	White	8
03 125*	100 [IMQ]	2	Grey	18
03 126*	120 [IMQ]	4	Grey	14
03 127*	150 [IMQ]	4	Grey	12
03 128*	200 [IMQ]	6	Grey	8

#### H 80

43 105*	150 [IMQ]	4	White	8
43 106*	200 [IMQ]	6	White	8
03 137*	150 [IMQ]	4	Grey	8
03 138*	200 [IMQ]	6	Grey	8

\* Each 2-metre bar comes complete with 3 cable retainers

# Feeder and cable trunkings

## Feeder and cable trunkings



Article	Trunking dimensions WxH (mm)	Colour	Unit/pack-pieces
<b>Flat 90° corner, IP40</b>			
43 152	40x40 [IMQ]	White	10/120
43 153	60x40 [IMQ]	White	10/60
43 154	80x40 [IMQ]	White	10/30
43 155	100x40 [IMQ]	White	1/40
43 156	120x40 [IMQ]	White	1/30
43 163	60x60 [IMQ]	White	10/40
43 164	80x60 [IMQ]	White	10/20
43 165	100x60 [IMQ]	White	1/20
43 166	120x60 [IMQ]	White	1/20
43 167	150x60 [IMQ]	White	1/12
43 168	200x60 [IMQ]	White	1/8
43 175	100x80 [IMQ]	White	10/20
43 176	120x80 [IMQ]	White	1/10
43 177	150x80 [IMQ]	White	1/9
43 178	200x80 [IMQ]	White	1/6
03 192	40x40 [IMQ]	Grey	10/120
03 193	60x40 [IMQ]	Grey	10/60
03 194	80x40 [IMQ]	Grey	10/30
03 195	100x40 [IMQ]	Grey	1/40
03 196	120x40 [IMQ]	Grey	1/30
03 203	60x60 [IMQ]	Grey	10/40
03 204	80x60 [IMQ]	Grey	10/20
03 205	100x60 [IMQ]	Grey	1/20
03 206	120x60 [IMQ]	Grey	1/20
03 207	150x60 [IMQ]	Grey	1/12
03 208	200x60 [IMQ]	Grey	1/8
03 215	100x80 [IMQ]	Grey	10/20
03 216	120x80 [IMQ]	Grey	1/10
03 217	150x80 [IMQ]	Grey	1/9
03 218	200x80 [IMQ]	Grey	1/6



# Feeder and cable trunkings

## Feeder and cable trunkings



FLCP 905

Article	Trunking dimensions WxH (mm)	Colour	Unit/pack-pieces
---------	------------------------------	--------	------------------

### Internal corner IP40

43 232	40x40 [IMQ]	White	10/60
43 233	60x40 [IMQ]	White	10/60
43 234	80x40 [IMQ]	White	10/60
43 235	100x40 [IMQ]	White	10/30
43 236	120x40 [IMQ]	White	10/30
43 243	60x60 [IMQ]	White	10/40
43 244	80x60 [IMQ]	White	10/30
43 245	100x60 [IMQ]	White	10/30
43 246	120x60 [IMQ]	White	10/20
43 247	150x60 [IMQ]	White	1/8
43 248	200x60 [IMQ]	White	1/6
43 255	100x80 [IMQ]	White	10/20
43 256	120x80 [IMQ]	White	10/20
43 257	150x80 [IMQ]	White	1/6
43 258	200x80 [IMQ]	White	1/4
03 272	40x40 [IMQ]	Grey	10/60
03 273	60x40 [IMQ]	Grey	10/60
03 274	80x40 [IMQ]	Grey	10/60
03 275	100x40 [IMQ]	Grey	10/30
03 276	120x40 [IMQ]	Grey	10/30
03 283	60x60 [IMQ]	Grey	10/40
03 284	80x60 [IMQ]	Grey	10/30
03 285	100x60 [IMQ]	Grey	10/30
03 286	120x60 [IMQ]	Grey	10/20
03 287	150x60 [IMQ]	Grey	1/8
03 288	200x60 [IMQ]	Grey	1/6
03 295	100x80 [IMQ]	Grey	10/20
03 296	120x80 [IMQ]	Grey	10/20
03 297	150x80 [IMQ]	Grey	1/6
03 298	200x80 [IMQ]	Grey	1/4

# Feeder and cable trunkings

## Feeder and cable trunkings



FLDP9066

Article	Trunking dimensions WxH (mm)	Colour	Unit/pack-pieces
<b>External corner IP40</b>			
43 312	40x40 [IMQ]	White	10/60
43 313	60x40 [IMQ]	White	10/40
43 314	80x40 [IMQ]	White	10/30
43 315	100x40 [IMQ]	White	8/16
43 316	120x40 [IMQ]	White	8/16
43 323	60x60 [IMQ]	White	10/40
43 324	80x60 [IMQ]	White	10/30
43 325	100x60 [IMQ]	White	8/16
43 326	120x60 [IMQ]	White	8/16
43 327	150x60 [IMQ]	White	1/6
43 328	200x60 [IMQ]	White	1/6
43 335	100x80 [IMQ]	White	8/16
43 336	120x80 [IMQ]	White	8/16
43 337	150x80 [IMQ]	White	1/6
43 338	200x80 [IMQ]	White	1/4
03 352	40x40 [IMQ]	Grey	10/60
03 353	60x40 [IMQ]	Grey	10/40
03 354	80x40 [IMQ]	Grey	10/30
03 355	100x40 [IMQ]	Grey	8/16
03 356	120x40 [IMQ]	Grey	8/16
03 363	60x60 [IMQ]	Grey	10/40
03 364	80x60 [IMQ]	Grey	10/30
03 365	100x60 [IMQ]	Grey	8/16
03 366	120x60 [IMQ]	Grey	8/16
03 367	150x60 [IMQ]	Grey	1/6
03 368	200x60 [IMQ]	Grey	1/6
03 375	100x80 [IMQ]	Grey	8/16
03 376	120x80 [IMQ]	Grey	8/16
03 377	150x80 [IMQ]	Grey	1/6
03 378	200x80 [IMQ]	Grey	1/4

# Feeder and cable trunkings

## Feeder and cable trunkings



Article	Trunking dimensions WxH (mm)	Colour	Unit/pack-pieces
---------	------------------------------	--------	------------------

### End cap IP40

43 392	40x40 [IMQ]	White	20
43 393	60x40 [IMQ]	White	20
43 394	80x40 [IMQ]	White	20
43 395	100x40 [IMQ]	White	20
43 396	120x40 [IMQ]	White	20
43 403	60x60 [IMQ]	White	20
43 404	80x60 [IMQ]	White	20
43 405	100x60 [IMQ]	White	20
43 406	120x60 [IMQ]	White	20
43 407	150x60 [IMQ]	White	20
43 408	200x60 [IMQ]	White	20
43 415	100x80 [IMQ]	White	20
43 416	120x80 [IMQ]	White	20
43 417	150x80 [IMQ]	White	20
43 418	200x80 [IMQ]	White	20
03 432	40x40 [IMQ]	Grey	20
03 433	60x40 [IMQ]	Grey	20
03 434	80x40 [IMQ]	Grey	20
03 435	100x40 [IMQ]	Grey	20
03 436	120x40 [IMQ]	Grey	20
03 443	60x60 [IMQ]	Grey	20
03 444	80x60 [IMQ]	Grey	20
03 445	100x60 [IMQ]	Grey	20
03 446	120x60 [IMQ]	Grey	20
03 447	150x60 [IMQ]	Grey	20
03 448	200x60 [IMQ]	Grey	20
03 455	100x80 [IMQ]	Grey	20
03 456	120x80 [IMQ]	Grey	20
03 457	150x80 [IMQ]	Grey	20
03 458	200x80 [IMQ]	Grey	20

Article	Trunking base (mm)	Colour	Unit/pack-pieces
---------	--------------------	--------	------------------

### Joint cover

43 552	40 [IMQ]	White	20
43 553	60 [IMQ]	White	20
43 554	80 [IMQ]	White	20
43 555	100 [IMQ]	White	20
43 556	120 [IMQ]	White	20
43 565	150 [IMQ]	White	20
43 566	200 [IMQ]	White	20
03 572	40 [IMQ]	Grey	20
03 573	60 [IMQ]	Grey	20
03 574	80 [IMQ]	Grey	20
03 575	100 [IMQ]	Grey	20
03 576	120 [IMQ]	Grey	20
03 585	150 [IMQ]	Grey	20
03 586	200 [IMQ]	Grey	20



# Feeder and cable trunkings

## Accessories for feeder and cable trunkings



Article	Trunking dimensions WxH (mm)	Colour	Unit/pack-pieces
<b>Tee</b>			
43 475	40/100 x 40/60 [IMQ]	White	20
43 488	40/200 x 40/60 [IMQ]	White	10
43 498	40/200 x 40/60/80 [IMQ]	White	10
03 515	40/100 x 40/60 [IMQ]	Grey	20
03 528	40/200 x 40/60 [IMQ]	Grey	10
03 538	40/200 x 40/60/80 [IMQ]	Grey	10

### Junction box\*

43 681	40/100 x 40/60 [IMQ]	White	1/10
43 682	120/200 x 40/80 [IMQ]	White	1/4
03 686	40/100 x 40/60 [IMQ]	Grey	1/10
03 687	120/200 x 40/80 [IMQ]	Grey	1/4

### Switch-socket box interaxis 83.5 mm (3 places)\*

#### For H 60/80

03 724	Trunking base 80÷200 [IMQ]	Grey	1/20
--------	----------------------------	------	------

### Switch-socket box interaxis 108 mm (4 places)\*

#### For H 60/80

03 735	Trunking base 100÷200	Grey	1/10
--------	-----------------------	------	------

### Switch-socket box interaxis 100 mm (6 places)\*

#### For H 60/80

03 736	Trunking base 100÷200	Grey	1/10
--------	-----------------------	------	------

### Switch-socket box German standard (2 places)\*

#### For H 60/80

03 737	Trunking base 100÷200	Grey	1/10
--------	-----------------------	------	------

\* Switch-socket floor boxes and switch-socket boxes must be installed at a minimum height of 175 mm from the axis at which the socket is inserted at floor level, in compliance with IEC 64-8 standard

# Feeder and cable trunkings

## Accessories for feeder and cable trunkings

5



Article	Trunking dimensions WxH (mm)	Colour	Unit/pack-pieces
---------	------------------------------	--------	------------------

### Switch-socket box German standard (3 places)\*

For H 60/80			
03 738	Trunking base 100÷200	Grey	1/5

### Switch-socket box German standard (4 places)\*

For H 60/80			
03 739	Trunking base 100÷200	Grey	1/5

### Switch-socket box interaxis 60 mm\*

For H 60/80			
03 726	Trunking base 80÷200 [IMQ]	Grey	1/30

### Box for telephone sockets\*

For H 60/80			
03 730	Trunking base 80÷200 [IMQ]	Grey	1/30

### Box for IEC plugs\*

For on H 60/80			
03 734	Trunking base 150/200 [IMQ]	Grey	1/30

\* Switch-socket floor boxes and switch-socket boxes must be installed at a minimum height of 175 mm from the axis at which the socket is inserted at floor level, in compliance with IEC 64-8 standard

Article	Trunking base (mm)	Colour	Unit/pack-pieces
---------	--------------------	--------	------------------

### Equipment support

03 720	80÷200 [IMQ]	Grey	1/120
--------	--------------	------	-------

### Equipment support retainer

03 711	100 [IMQ]	Grey	20
03 712	120 [IMQ]	Grey	20
03 713	150 [IMQ]	Grey	20

# Feeder and cable trunkings

## Accessories for feeder and cable trunkings



Article	Trunking base (mm)	Colour	Unit/pack-pieces
---------	--------------------	--------	------------------

### Separator 2000 mm length

43 630	trunking height 40 [IMQ]	White	metres 100
43 631	trunking height 60 [IMQ]	White	metres 108

### MCBs enclosure (WxH)

43 691	40/100x40/60 [IMQ]	White	1/10
43 692	120/200x40/80 [IMQ]	White	1/9
03 696	40/100x40/60 [IMQ]	Grey	1/10
03 697	120/200x40/80 [IMQ]	Grey	1/9

Article	Trunking base (mm)	Colour	Unit/pack-pieces
---------	--------------------	--------	------------------

### Plate for boxes interaxis 83.5 mm

43 744	80 [IMQ]	White	20
43 745	100 [IMQ]	White	15
43 746	120 [IMQ]	White	15
43 747	150 [IMQ]	White	15
43 748	200 [IMQ]	White	10
03 754	80 [IMQ]	Grey	20
03 755	100 [IMQ]	Grey	15
03 756	120 [IMQ]	Grey	15
03 757	150 [IMQ]	Grey	15
03 758	200 [IMQ]	Grey	10

### Plate for boxes interaxis 108 mm (4 places)

43 950	100	White	1/10
43 951	120	White	1/10
43 952	150	White	1/10
43 953	200	White	1/10

### Plate for boxes interaxis 100 mm (6 places)

43 955	100	White	1/10
43 956	120	White	1/10
43 957	150	White	1/10
43 958	200	White	1/10

### Plate for boxes German standard (2 places)

43 960	100	White	1/10
43 961	120	White	1/10
43 962	150	White	1/10
43 963	200	White	1/10

# Feeder and cable trunkings

## Accessories for feeder and cable trunkings

5



Article	Trunking base (mm)	Colour	Unit/pack-pieces
---------	--------------------	--------	------------------

### Plate for boxes German standard (3 places)

43 965	100	White	1/10
43 966	120	White	1/10
43 967	150	White	1/10
43 968	200	White	1/10

### Plate for boxes German standard (4 places)

43 970	100	White	1/10
43 971	120	White	1/10
43 972	150	White	1/10
43 973	200	White	1/10

### Plate for telephone boxes interaxis 60 mm

43 764	80 [IMQ]	White	20
43 765	100 [IMQ]	White	15
43 766	120 [IMQ]	White	15
43 767	150 [IMQ]	White	15
43 768	200 [IMQ]	White	10
03 774	80 [IMQ]	Grey	20
03 775	100 [IMQ]	Grey	15
03 776	120 [IMQ]	Grey	15
03 777	150 [IMQ]	Grey	15
03 778	200 [IMQ]	Grey	10

### Plate for 16 A CEE plugs

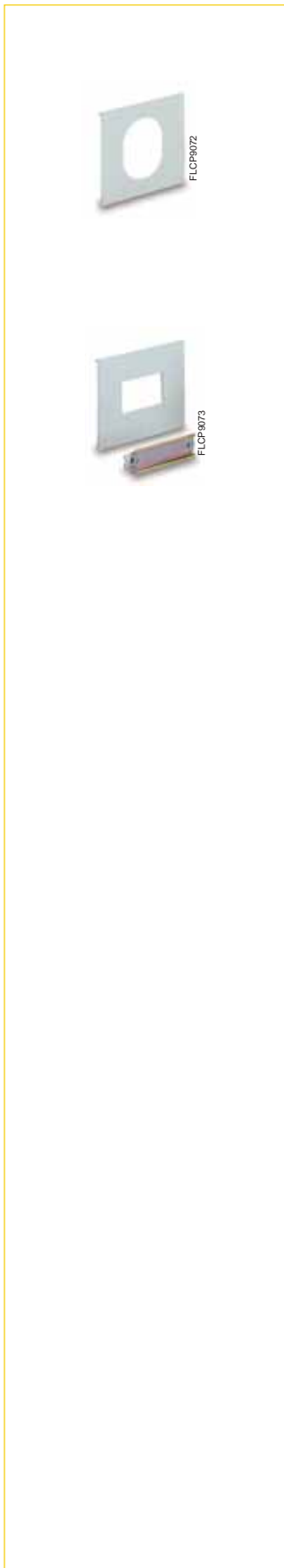
43 784	80 [IMQ]	White	20
43 785	100 [IMQ]	White	15
43 786	120 [IMQ]	White	15
43 787	150 [IMQ]	White	15
43 788	200 [IMQ]	White	10
03 794	80 [IMQ]	Grey	20
03 795	100 [IMQ]	Grey	15
03 796	120 [IMQ]	Grey	15
03 797	150 [IMQ]	Grey	15
03 798	200 [IMQ]	Grey	10

### Plate for 16/32 A CEE plugs

43 806	120 [IMQ]	White	15
43 807	150 [IMQ]	White	15
43 808	200 [IMQ]	White	10
03 816	120 [IMQ]	Grey	15
03 817	150 [IMQ]	Grey	15
03 818	200 [IMQ]	Grey	10

# Feeder and cable trunkings

## Accessories for feeder and cable trunkings



Article	Trunking base (mm)	Colour	Unit/pack-pieces
---------	--------------------	--------	------------------

### Plate for 32 A CEE plugs

43 826	120 [IMQ]	White	15
43 827	150 [IMQ]	White	15
43 828	200 [IMQ]	White	10
03 836	120 [IMQ]	Grey	15
03 837	150 [IMQ]	Grey	15
03 838	200 [IMQ]	Grey	10

### Plate for MCBs (6 DIN modules)

43 846	120 [IMQ]	White	10
43 847	150 [IMQ]	White	10
43 848	200 [IMQ]	White	10
03 856	120 [IMQ]	Grey	10
03 857	150 [IMQ]	Grey	10
03 858	200 [IMQ]	Grey	10



# Feeder and cable trunkings

## Accessories for feeder and cable trunkings



Article	Trunking base (mm)	No. of installable separators	Colour	Unit/pack-pieces
---------	--------------------	-------------------------------	--------	------------------

### Fixing element (for feeder trunking)

03 653	60	2	Grey	20
03 654	80	2	Grey	20
03 655	100	2	Grey	20
03 656	120	4	Grey	20
03 657	150	4	Grey	20

### Cable retainers

#### For cable trunkings

Using one of these every 0.5 metres means that the cover can be removed only by using a special tool.

03 665	100 [IMQ]	Grey	20
03 666	120 [IMQ]	Grey	20
03 667	150 [IMQ]	Grey	20
03 668	200 [IMQ]	Grey	20

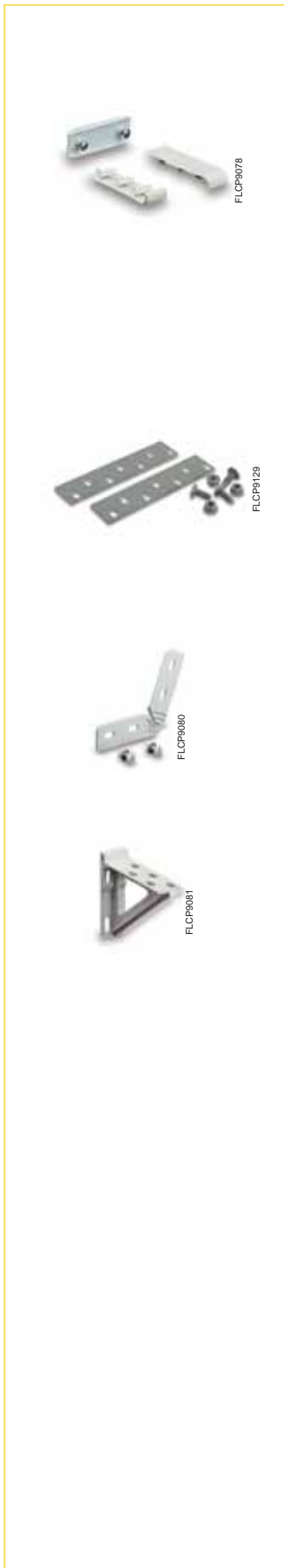
Article	Trunking dimensions WxH (mm)	Colour	Unit/pack-pieces
---------	------------------------------	--------	------------------

### Collar cable retainers

03 675	100x60 [IMQ]	Grey	10/120
03 676	120x60 [IMQ]	Grey	10/120
03 678	100x80 [IMQ]	Grey	10/120
03 679	120x80 [IMQ]	Grey	10/60

# Feeder and cable trunkings

## Accessories for feeder and cable trunkings



Article	Trunking height (mm)	Colour	Unit/pack-pieces
---------	----------------------	--------	------------------

### Flat joint for trunkings

43 622	40 [IMQ]	White	20
43 623	60 [IMQ]	White	20
43 624	80 [IMQ]	White	20
03 626	40 [IMQ]	Grey	20
03 627	60 [IMQ]	Grey	20
03 628	80 [IMQ]	Grey	20

### Straight joint

03 871	60/80 [IMQ]	Grey	10
--------	-------------	------	----

### Adjustable joint

03 873	60/80 [IMQ]	Grey	10
--------	-------------	------	----

### Wall bracket

03 865	40/100 [IMQ]	Grey	20/80
03 867	120/200 [IMQ]	Grey	1/20



## Technical details

- degree of protection IP40
- **colour RAL 9016 white**
- plastic, insulating, shock-proof, self-extinguishing material in compliance with UL 94 V0 Standard and resistant to abnormal heat and fire up to 960 °C (glow wire test) in compliance with IEC 695-2-1 Standard
- dimensional stability from -20 to +60 °C
- resistant to acids, oils and greases
- resistance to impacts: 6 joules
- standard 2-metre bars complete with cover
- wall and ceiling mounting, fastening with dowels
- ready-made holes on the base for fastening to the wall
- covers and boxes can be dismantled using a special tool
- residential and commercial application

FLCPS807



IMQ mark  
in compliance with CEI 23-32+V1 Standard

# Feeder and cable trunkings

## Design styled cable trunkings



Article	Dimensions WxH (mm)	Colour	Unit/pack-pieces
---------	---------------------	--------	------------------

### Cable trunkings IP40

44 010*	50x68 [IMQ]	White	28
44 012	100x68 [IMQ]	White	14
44 014	150x68 [IMQ]	White	10
44 016	200x68 [IMQ]	White	8

\* Cable trunking feeders for electric circuits

Article	Trunking base (mm)	Colour	Unit/pack-pieces
---------	--------------------	--------	------------------

### 90° flat corner, IP40

44 050	50 [IMQ]	White	10/30
44 052	100 [IMQ]	White	8/16
44 054	150 [IMQ]	White	1/10

For 200-mm flat branch connections use art. 44 092

### Junction box IP40

For cable trunkings and branch connections with skirting and H 10, 17, 30 mini-trunkings.  
Complete with separator.

44 090	50/100 [IMQ]	White	1/10
44 092	150/200 [IMQ]	White	1/4

### Internal corner IP40

44 130	50 [IMQ]	White	10/20
44 132	100 [IMQ]	White	1/20
44 134	150 [IMQ]	White	1/10
44 136	200 [IMQ]	White	1/10

### External corner IP40

44 170	50 [IMQ]	White	10/20
44 172	100 [IMQ]	White	1/20
44 174	150 [IMQ]	White	1/10
44 176	200 [IMQ]	White	1/8

### End cap IP40

44 210	50 [IMQ]	White	20
44 212	100 [IMQ]	White	20
44 214	150 [IMQ]	White	20
44 216	200 [IMQ]	White	15

# Feeder and cable trunkings

## Design styled cable trunkings



Article	Length (mm)	Colour	Unit/pack-pieces
---------	-------------	--------	------------------

### Divider

Snaps onto the base of all design styled cable trunking feeders.

44 040	200 [IMQ]	White	52
--------	-----------	-------	----

Article	Trunking base (mm)	Colour	Unit/pack-pieces
---------	--------------------	--------	------------------

### Switch-socket base interaxis 83.5 mm

To install 3 modular devices.

44 352	100 [IMQ]	White	1/20
44 354	150 [IMQ]	White	1/10
44 356	200 [IMQ]	White	1/10

### Box for telephone socket

To install a unified telephone socket.

44 434	150 [IMQ]	White	1/10
44 436	200 [IMQ]	White	1/10

### Box interaxis 60/67 mm

To install 2 modular or fastener devices.

44 452	100 [IMQ]	White	1/20
44 454	150 [IMQ]	White	1/10
44 456	200 [IMQ]	White	1/10

### Universal adjustable box

For IEC 16 and 32 A plugs.

44 514	150 [IMQ]	White	1/10
44 516	200 [IMQ]	White	1/10

### Blank box 73x73 mm

44 554	150 [IMQ]	White	1/10
44 556	200 [IMQ]	White	1/10

#### Technical details

- Boxes snap onto the base of the trunkings
- Boxes come complete with plate and two flat joints for the cover
- Cable clamps for safely anchoring cables
  - Minimum installation height of 175 mm from the axis at which the socket is inserted at floor level, in compliance with CEI 64-8 Standard

# Feeder and cable trunkings

## Accessories for design styled cable trunkings



Article	Trunking base (mm)	Colour	Unit/pack-pieces
---------	--------------------	--------	------------------

### Cover joint

44 250	50 [IMQ]	White	20
44 252	100 [IMQ]	White	20
44 254	150 [IMQ]	White	20
44 256	200 [IMQ]	White	20

### Flat joint for trunkings

44 291	Universal [IMQ]	White	20
--------	-----------------	-------	----

### Cable retainer

04 322	100 [IMQ]	Black	20
04 324	150 [IMQ]	Black	20
04 326	200 [IMQ]	Black	20

### MCBs kit

To fasten any kind of 17.5x45 mm modular device.

#### Four modules

44 634	150 [IMQ]	White	10/40
44 636	200 [IMQ]	White	5/20

#### Ten modules

44 654	150 [IMQ]	White	10/40
44 656	200 [IMQ]	White	5/20

### MCBs enclosure 17.5x45 mm

#### Four modules

44 680	50/100 [IMQ]	White	1/10
--------	--------------	-------	------

#### Ten modules

44 682	150/200 [IMQ]	White	1/4
--------	---------------	-------	-----





## Skirting, dado and floor trunkings

### Index

Skirting and dado trunkings.....	6/2
Floor trunkings.....	6/6





## Technical details

- degree of protection IP40
- colours:
  - **RAL 9016 white**
  - RAL 7021 dark grey
  - RAL 8014 brown
- plastic, insulating, shock-proof, self-extinguishing material in compliance with UL 94 V0 Standard and resistant to abnormal heat and fire up to 960 °C (glow wire test) in compliance with IEC 695-2-1 Standard
- dimensional stability from -20 to +60 °C
- resistant to acids, oils and greases
- standard 2-metre long base and covers, coated in scratch-proof protective film
- ready-made holes on the base for fastening to the wall
- fitted with three compartments (one of which has a built-in compartment cover) for housing electric, telephone and aerial cables separately
- covers snap onto the base
- residential application

FLCP8804



IMQ mark  
in compliance with CEI 23-19

# Skirting, dado and floor trunkings

## Skirting and dado trunkings



Article	Dimensions WxHxL (mm)	Colour	Unit/pack-metres
---------	-----------------------	--------	------------------

### Base for skirting and dado

42 010	85x21.7x2000 [IMQ]	White	48
02 011	85x21.7x2000 [IMQ]	Dark grey	48

Article	Length (mm)	Colour	Unit/pack-metres
---------	-------------	--------	------------------

### Skirting cover

42 015	2000 [IMQ]	White	48
02 016	2000 [IMQ]	Dark grey	48
02 017*	2000 [IMQ]	Brown	48

\* Article 02 017 must be used with base 02 011

### Dado cover

42 012	2000 [IMQ]	White	48
02 013	2000 [IMQ]	Dark grey	48
02 014*	2000 [IMQ]	Brown	48

\* Article 02 014 must be used with base 02 011

Article	Description (mm)	Colour	Unit/pack-pieces
---------	------------------	--------	------------------

### 90° flat corner

42 022	Dado [IMQ]	White	1/80
02 023	Dado [IMQ]	Dark grey	1/80
02 024	Dado [IMQ]	Brown	1/80
42 025	Right skirting [IMQ]	White	1/80
02 026	Right skirting [IMQ]	Dark grey	1/80
02 027	Right skirting [IMQ]	Brown	1/80
42 028	Left skirting [IMQ]	White	1/80
02 029	Left skirting [IMQ]	Dark grey	1/80
02 030	Left skirting [IMQ]	Brown	1/80

### Box for flat branch connections

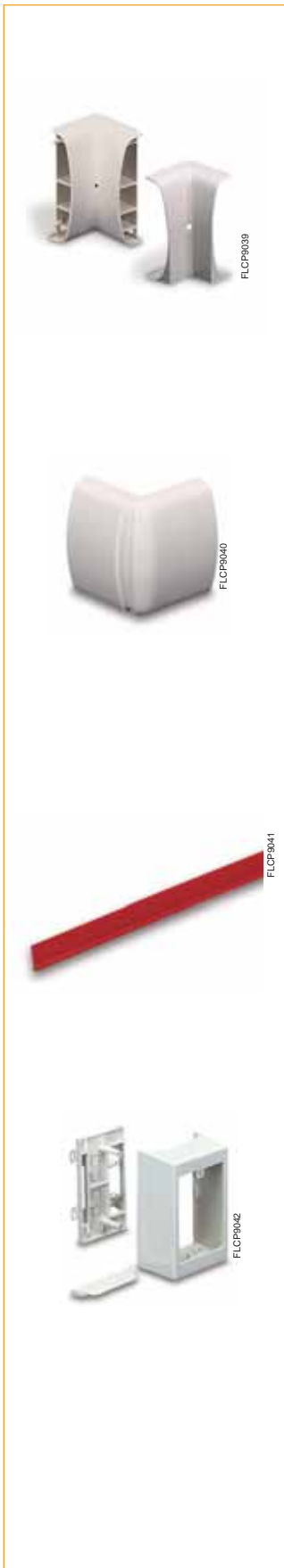
Side trimmings. Complete with circuit separator.

42 032	Dado/Skirting [IMQ]	White	1/40
02 033	Dado/Skirting [IMQ]	Dark grey	1/40
02 034	Dado/Skirting [IMQ]	Brown	1/40

When used together with the 4-device box, these articles form a switch-socket floor box

# Skirting, dado and floor trunkings

## Skirting and dado trunkings



Article	Description (mm)	Colour	Unit/pack-pieces
---------	------------------	--------	------------------

### Internal corner

42 042	Adjustable dado [IMQ]	White	1/60
02 043	Adjustable dado [IMQ]	Dark grey	1/60
02 044	Adjustable dado [IMQ]	Brown	1/60
42 046	Fixed dado [IMQ]	White	1/60
02 047	Fixed dado [IMQ]	Dark grey	1/60
02 048	Fixed dado [IMQ]	Brown	1/60
42 049	Fixed skirting [IMQ]	White	1/60
02 050	Fixed skirting [IMQ]	Dark grey	1/60
02 051	Fixed skirting [IMQ]	Brown	1/60

### External corner

42 052	Adjustable dado [IMQ]	White	1/60
02 053	Adjustable dado [IMQ]	Dark grey	1/60
02 054	Adjustable dado [IMQ]	Brown	1/60
42 056	Fixed dado [IMQ]	White	1/60
02 057	Fixed dado [IMQ]	Dark grey	1/60
02 058	Fixed dado [IMQ]	Brown	1/60
42 059	Fixed skirting [IMQ]	White	1/60
02 060	Fixed skirting [IMQ]	Dark grey	1/60
02 061	Fixed skirting [IMQ]	Brown	1/60

### Compartment cover

Snaps onto special housing on the base of the skirting.  
Easy to insert and holds cables inside compartment.  
RAL 3000 red. Standard 1-meter length.

02 018	[IMQ]	Red	metri 100
--------	-------	-----	-----------

### Switch-socket box

#### Box for 2 devices (or fasteners)

42 096	Inter. 60/67 mm [IMQ]	White	1/30
02 097	Inter. 60/67 mm [IMQ]	Dark grey	1/30
02 098	Inter. 60/67 mm [IMQ]	Brown	1/30

#### Box for 3 devices

42 092	Inter. 83.5 mm [IMQ]	White	1/30
02 093	Inter. 83.5 mm [IMQ]	Dark grey	1/30
02 094	Inter. 83.5 mm [IMQ]	Brown	1/30

#### Box for 4 devices

41 830	Inter. 108 mm [IMQ]	White	1/20
01 832	Inter. 108 mm [IMQ]	Brown	1/20
01 833	Inter. 108 mm [IMQ]	Dark grey	1/20

# Skirting, dado and floor trunkings

## Skirting and dado trunkings



Article	Description (mm)	Colour	Unit/pack-pieces
---------	------------------	--------	------------------

### Switch-socket box

#### 3-device floor box for trunkings in vertical position (dado)

42 102	Inter. 83.5 mm [IMQ]	White	1/20
02 103	Inter. 83.5 mm [IMQ]	Dark grey	1/20
02 104	Inter. 83.5 mm [IMQ]	Brown	1/20

#### 3-device floor box for trunkings in horizontal position (dado/skirting)

42 105	Inter. 83.5 mm [IMQ]	White	1/14
02 109	Inter. 83.5 mm [IMQ]	Dark grey	1/14
02 110	Inter. 83.5 mm [IMQ]	Brown	1/14

#### 2-device floor box (or fasteners)

42 106	Inter. 60/67 mm [IMQ]	White	1/20
02 107	Inter. 60/67 mm [IMQ]	Dark grey	1/20
02 108	Inter. 60/67 mm [IMQ]	Brown	1/20

Article	Device	Modules	Mounting	Colour	Unit/pack-pieces
---------	--------	---------	----------	--------	------------------

### French standard switch-socket box

For 1/2 Galion and Mosaic type devices.

42 600	Galion	1	Horizontal	White	1/16
42 601	Galion	1	Vertical	White	1/16
42 606	Mosaic	2	Horizontal/Vertical	White	1/16

### Spanish standard switch-socket box

For 2 Stylo and Simon type devices.

42 605	Stylo	2	Horizontal/Vertical	White	1/16
42 607	Simon	2	Horizontal/Vertical	White	1/16

Article	Description (mm)	Colour	Unit/pack-pieces
---------	------------------	--------	------------------

### Cover interaxis 83.5 mm

Fastened with 2 screws on box or floor box.

42 112	Telephone socket [IMQ]	White	20
42 122	Blind [IMQ]	White	20

### End cap

42 062	Dado [IMQ]	White	40
02 063	Dado [IMQ]	Dark grey	40
02 064	Dado [IMQ]	Brown	40
42 065	Right skirting [IMQ]	White	40
02 066	Right skirting [IMQ]	Dark grey	40
02 067	Right skirting [IMQ]	Brown	40
42 068	Left skirting [IMQ]	White	40
02 069	Left skirting [IMQ]	Dark grey	40
02 070	Left skirting [IMQ]	Brown	40

### Flat joint for cover

42 072	Dado [IMQ]	White	40
02 073	Dado [IMQ]	Dark grey	40
02 074	Dado [IMQ]	Brown	40
42 075	Skirting [IMQ]	White	40
02 076	Skirting [IMQ]	Dark grey	40
02 077	Skirting [IMQ]	Brown	40



## Technical details

- degree of protection IP40
- colours:
  - **RAL 9016 white**
  - RAL 7021 dark grey
  - RAL 8014 brown
  - RAL 7030 grey
- plastic, insulating, shock-proof, self-extinguishing material in compliance with UL 94 V0 Standard and resistant to abnormal heat and fire up to 960 °C (glow wire test) in compliance with IEC 695-2-1 Standard
- dimensional stability from -20 to +60 °C
- resistant to acids, oils and greases
- special design giving high resistance to crushing
- standard 2-metre long base complete with cover
- bars fitted with three compartments to house electric, telephone and data transmission cables separately
- residential and commercial application

# Skirting, dado and floor trunkings

## Floor trunkings



Article	Dimensions (mm)	Colour	Unit/pack-metres
---------	-----------------	--------	------------------

### Floor trunking

42 512	75x18x2000	White	20
02 513	75x18x2000	Dark grey	20
02 514	75x18x2000	Brown	20
02 515	75x18x2000	Grey	20

Article	Description (mm)	Colour	Unit/pack-pieces
---------	------------------	--------	------------------

### Skirting box

With dividers to separate different circuits.

42 522	Dado/skirting	White	1/40
02 523	Dado/skirting	Dark grey	1/40
02 524	Dado/skirting	Brown	1/40

### Floor junction box

With dividers to separate different circuits.

42 532		White	1/30
02 533		Dark grey	1/30
02 534		Brown	1/30
02 535		Grey	1/30

### Switch-socket floor box interaxis 83.5 mm

With dividers to separate different circuits.

42 542	3+3 devices	White	1/5
02 543	3+3 devices	Dark grey	1/5
02 544	3+3 devices	Brown	1/5
02 545	3+3 devices	Grey	1/5

Two-sided version – each side can be fitted with 3 of any of the modular devices on the market or a unified telephone socket using the appropriate cover (art. 42 112)

### Cover interaxis 83.5 mm

Fastened onto floor box with 2 screws.

42 112	Telephone socket	White	20
42 122	Plain	White	20





## Index

Cable trunkings and cable trays .....	7/2
---------------------------------------	-----





### Technical details

- colour RAL 7030 grey
- plastic, insulating, shock-proof, self-extinguishing material in compliance with UL 94 V0 Standard and resistant to abnormal heat and fire up to 960 °C (glow wire test) in compliance with IEC 695-2-1 Standard
- protection IP40 and IP20 (degree of protection refers to the trunking fitted with cover)
- standard length 3 metres
- dimensional stability from -20 to +60 °C
- resistant to acids, oils, greases, chemical and atmospheric agents
- accessories for hanging common to metal trunkings
- industrial application

# Industrial plastic trunkings

## Cable trunkings and cable trays



Article	Dimensions WxH (mm)	Weight (kg/m)	Unit/pack-metres
---------	---------------------	---------------	------------------

### Cable trunkings IP40\*

08 101	100x60	1.00	12
08 102	150x60	1.27	6
08 103	200x60	1.74	6
08 105	300x60	2.15	6
08 106	300x100	2.70	6
08 107	400x100	3.70	6

### Cable trays IP20\*

08 111	100x60	0.90	12
08 112	150x60	1.21	6
08 113	200x60	1.56	6
08 115	300x60	2.00	6
08 116	300x100	2.55	6
08 117	400x100	3.20	6

\* The degree of protection refers to the trunking fitted with cover

Article	Trunking base (mm)	Weight (kg/m)	Unit/pack - metres
---------	--------------------	---------------	--------------------

### Cover

Snaps onto trunkings.

08 121	100	0.43	12
08 122	150	0.70	6
08 123	200	0.80	6
08 125	300	1.38	6
08 126	400	2.18	6

Article	Trunking dimensions WxH (mm)	Unit/pack - Pieces
---------	------------------------------	--------------------

### Flat 90° corner

Complete with cover.

08 131	100x60	1
08 132	150x60	1
08 133	200x60	1
08 135	300x60	1
08 136	300x100	1
08 137	400x100	1

### Flat tee

Complete with cover.

08 141	100x60	1
08 142	150x60	1
08 143	200x60	1
08 145	300x60	1
08 146	300x100	1
08 147	400x100	1

# Industrial plastic trunkings

## Cable trunkings and cable trays



Article	Trunking dimensions WxH (mm)	Unit/pack-Pieces
---------	------------------------------	------------------

### Flat cross

Complete with cover.

08 161	100x60	1
08 162	150x60	1
08 163	200x60	1
08 165	300x60	1
08 166	300x100	1
08 167	400x100	1

Article	Trunking height (mm)	Pack/metres
---------	----------------------	-------------

### Divider

Fixed with screws.

Standard 3-metre length.

08 171	60	30
08 172	100	30

Article	Material	Pack/metres
---------	----------	-------------

### Screw and nut

08 190	Techno-polymer	100
08 192	Stainless steel	100

Article	Trunking dimensions WxH (mm)	Unit/pack-metres
---------	------------------------------	------------------

### End cap

If a hole is made in the end it can be used as a reducer (concentric, left and right).

08 151	100x60	4
08 152	150x60	4
08 153	200x60	4
08 155	300x60	4
08 156	300x100	4
08 157	400x100	4

### Branch connection element

For tee, vertical and cross branch connections and tee reducers.

08 164	trunking height 60/100	1/10
--------	------------------------	------

# Industrial plastic trunkings

## Cable trunkings and cable trays



Article	Trunking dimensions WxH (mm)	Unit/pack-Pieces
---------	------------------------------	------------------

### Straight joint

2 pieces – complete with screws and nuts.

08 175	100/400x60	1/10
08 176	300/400x100	1/10

### Adjustable joint

2 pieces – complete with screws and nuts.

08 179	100/400x60	1/10
08 180	300/400x100	1/10

### Wall plastic bracket

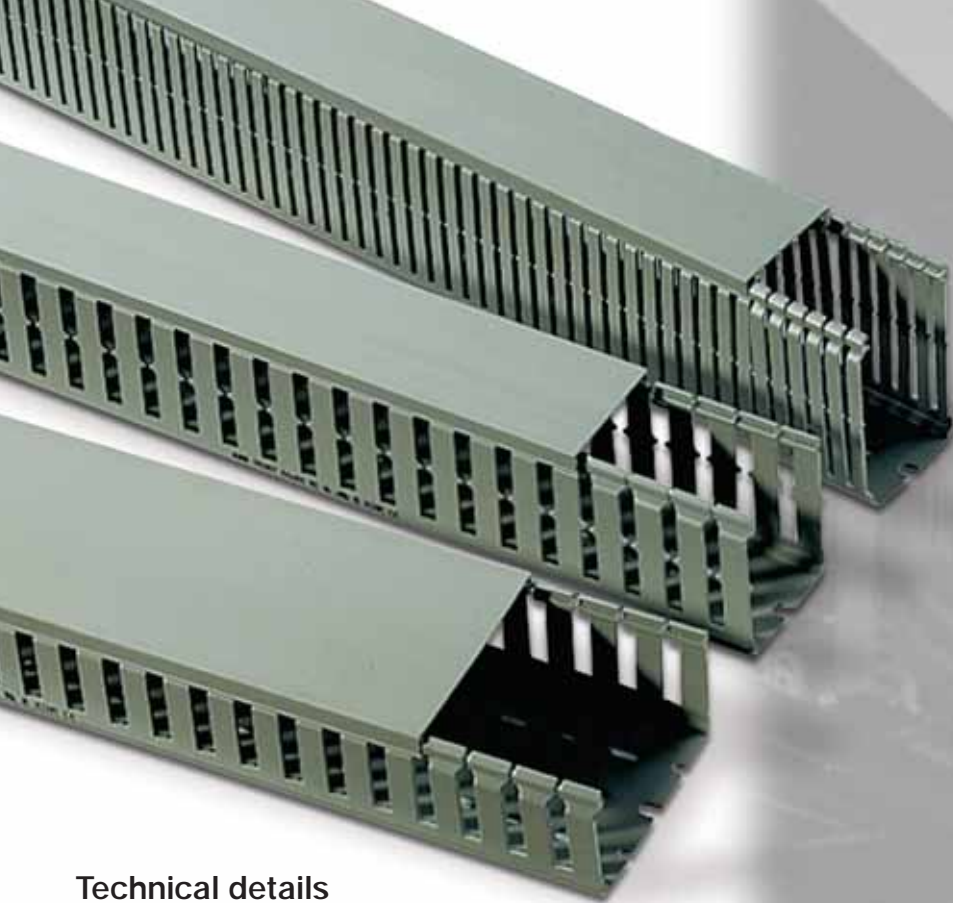
08 181	Base 100	1/12
08 182	Base 150	1/12
08 183	Base 200	1/12
08 185	Base 300	1/12
08 187	Base 400	1/10





## Index

Halogen free wiring ducts with vertical slots.....	8/2
Thermoplastic wiring ducts with vertical slots.....	8/4
Flexible thermoplastic wiring ducts.....	8/8
Thermoplastic wiring ducts with circular knockouts.....	8/10



### Technical details

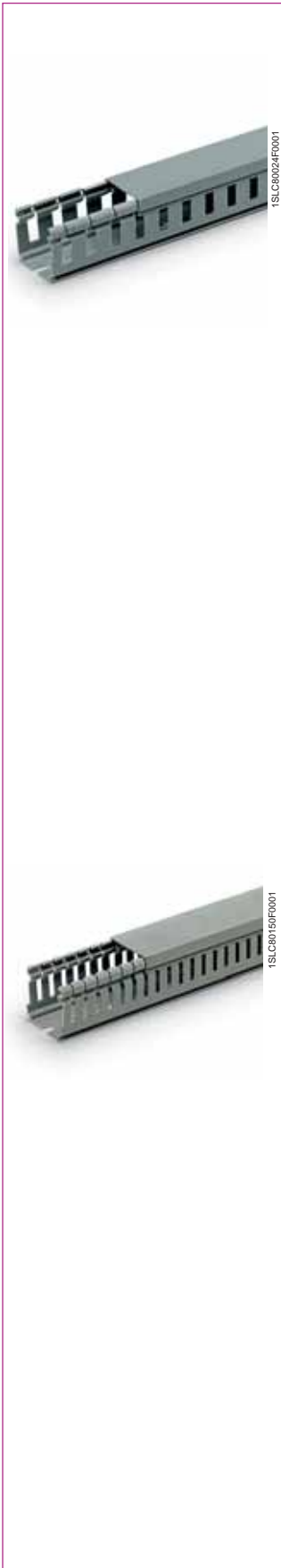
- **colour RAL 7035 grey**
- halogen-free thermoplastic material in compliance with VDE 0472 Part 815 Standard: Br + Cl < 0.2 %, F < 0.1 %
- smoke toxicity index:  
25.78 according to NF X70-100 and NF F16-101 Standards
- smoke opacity index\*:  
Dm 352.2 (2 mm)  
VOF4 475.8 (2 mm) in compliance with NF X10-702 Standard (reference NF F16-101)  
\* in the event of fire, it is extremely important for the smoke opacity level to be as low as possible during the first 4 minutes in order to allow people to move away from the areas of risk
- on the basis of the values obtained during the smoke opacity and toxicity tests, the material falls within class F2 (in compliance with NF F16-101 Standard)
- insulating, shock-proof, self-extinguishing material in compliance with UL 94 V0 Standard and resistant to abnormal heat and fire up to 850°C (glow wire test) in compliance with IEC 695-2-1 Standard
- dimensional stability from -40 to +100 °C
- resistant to acids, oils and greases
- absence of burrs, rounded internal edges
- dimensions and resilience of ribs guarantee repeated splaying during the wiring phase
- controlled splaying of sides for guaranteeing a perfect seal of the cover in vertical sections and in the case of high temperatures
- two prearranged trimming lines: one line at the basis of ribs in order to remove them by bending them towards the outside direction and another line at the basis of the wall in order to cut the edge when two connection ducts are used
- cable holder mouldings halfway along the straight section of the ribs in 80 mm high ducts
- standard 2-metre length
- **trunkings comply with the EN 50085-2-3 European Standard**
- fields of application: residential, industrial and commercial

**HALOGEN FREE**



# Wiring ducts

## Halogen free wiring ducts with vertical slots



Article	Dimensions WxH (mm)	Unit/pack-metres
---------	---------------------	------------------

### Ducts with 8/12 mm slots

1SL9019A00	15x17	46
1SL9033A00	25x30	58
1SL9035A00	40x30	40
1SL9037A00	60x30	52
1SL9043A00	25x40	48
1SL9045A00	40x40	30
1SL9047A00	60x40	40
1SL9049A00	80x40	32
1SL9051A00	100x40	24
1SL9053A00	120x40	20
1SL9063A00	25x60	34
1SL9065A00	40x60	22
1SL9067A00	60x60	32
1SL9069A00	80x60	24
1SL9071A00	100x60	20
1SL9073A00	120x60	14
1SL9083A00	25x80	28
1SL9085A00	40x80	36
1SL9087A00	60x80	24
1SL9089A00	80x80	16
1SL9091A00	100x80	16
1SL9093A00	120x80	12

### Ducts with 4/6 mm slots

1SL9119A00	15x17	46
1SL9133A00	25x30	58
1SL9135A00	40x30	40
1SL9137A00	60x30	52
1SL9143A00	25x40	48
1SL9145A00	40x40	30
1SL9147A00	60x40	40
1SL9149A00	80x40	32
1SL9151A00	100x40	24
1SL9153A00	120x40	20
1SL9163A00	25x60	34
1SL9165A00	40x60	22
1SL9167A00	60x60	32
1SL9169A00	80x60	24
1SL9171A00	100x60	20
1SL9173A00	120x60	14
1SL9183A00	25x80	28
1SL9185A00	40x80	36
1SL9187A00	60x80	24
1SL9189A00	80x80	16
1SL9191A00	100x80	16
1SL9193A00	120x80	12



## Technical details

- colour RAL 7030 grey
- plastic, insulating, shock-proof, self-extinguishing material in compliance with UL 94 V0 Standard and resistant to abnormal heat and fire up to 960 °C (glow wire test) in compliance with IEC 695-2-1 Standard
- minimum storage/transport temperature -5 °C
- minimum installation and usage temperature -15 °C
- maximum usage temperature +60 °C
- resistant to acids, oils and greases
- no burr, rounded-off inner edges
- new rib profile makes it easy to open and close the cover and guarantees that it clips on more safely
- designed to snap onto the Fix-O-rapid special accessory, suitable to be fastened both to DIN rail and base plate
- the ribs are cut using a special pressing process (rounding of the edges) producing wiring ducts completely free of burr and rough edges
- the dimensions and resilience of the ribs ensure repeated splaying during cabling
- controlled splaying of sides to ensure a perfect seal of the cover in the vertical sections and at high temperatures
- double trimming line, one at the base of the ribs so that they can be removed by bending them outwards and one at the base of the lateral sides so that the edge can be cut when two wiring ducts are branched
- cable holder mouldings half-way up the straight section of the ribs in 80 and 100-mm high wiring ducts
- cover can be opened without having to use a special tool
- can be mounted on horizontal or vertical surfaces even when the cover is on the bottom
- standard 2-metre length
- industrial application

FLCP8610



Approved by Underwriters Laboratories



RINA Approved Declaration N°5/16391



Approved by Canadian Standards Association



NF mark in compliance with EN 50085-2-3 Standard

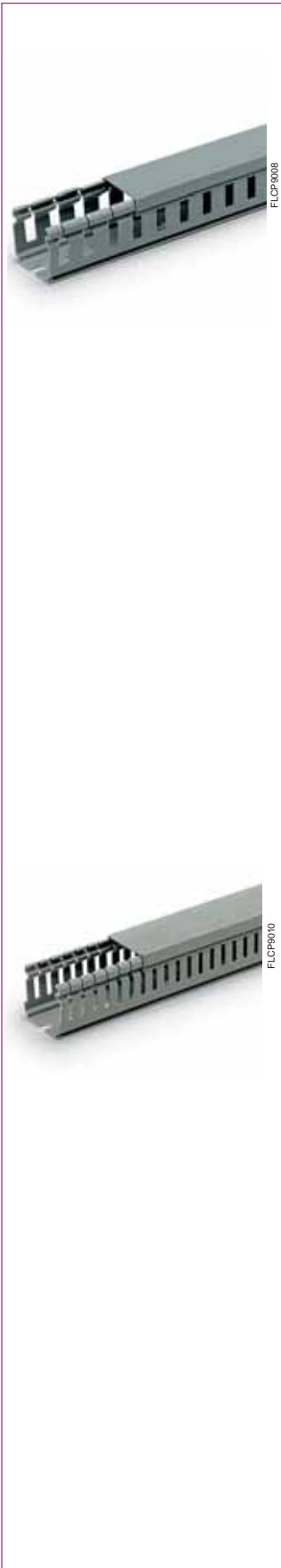


IMQ mark in compliance with EN 50085-2-3 Standard



# Wiring ducts

## Thermoplastic wiring ducts with vertical slots



Article	Dimensions WxH (mm)	Weight (kg/m)	Unit/pack-metres
---------	---------------------	---------------	------------------

### Wiring duct with 8/12 mm slots

05 019	15x17	0.06	92
05 033	25x30	0.21	116
05 035	40x30	0.27	80
05 037	60x30	0.38	52
05 043	25x40	0.25	96
05 045	40x40	0.31	60
05 047	60x40	0.46	40
05 049	80x40	0.47	32
05 051	100x40	0.55	24
05 053	120x40	0.65	20
05 063	25x60	0.24	68
05 065	40x60	0.34	44
05 067	60x60	0.47	32
05 069	80x60	0.52	24
05 071	100x60	0.59	18
05 073	120x60	0.73	14
05 083	25x80	0.29	56
05 085	40x80	0.38	36
05 087	60x80	0.50	24
05 089	80x80	0.59	16
05 091	100x80	0.68	16
05 093	120x80	0.89	12
05 094	25x100	0.46	40
05 095	40x100	0.53	28
05 096	60x100	0.73	20
05 097	80x100	0.91	14
05 098	100x100	1.06	8
05 099	150x100	1.37	8

### Wiring duct with 4/6 mm slots

05 119	15x17	0.06	92
05 133	25x30	0.21	116
05 135	40x30	0.27	80
05 137	60x30	0.38	52
05 143	25x40	0.25	96
05 145	40x40	0.31	60
05 147	60x40	0.46	40
05 149	80x40	0.47	32
05 151	100x40	0.55	24
05 153	120x40	0.65	20
05 163	25x60	0.24	68
05 165	40x60	0.34	44
05 167	60x60	0.47	32
05 169	80x60	0.52	24
05 171	100x60	0.59	18
05 173	120x60	0.73	14
05 183	25x80	0.29	56
05 185	40x80	0.38	36
05 187	60x80	0.50	24
05 189	80x80	0.59	16
05 191	100x80	0.68	16
05 193	120x80	0.89	12
05 194	25x100	0.46	40
05 195	40x100	0.53	28
05 196	60x100	0.73	20
05 197	80x100	0.91	14
05 198	100x100	1.06	8
05 199	150x100	1.37	8

# Wiring ducts

## Thermoplastic wiring ducts with vertical slots



Article	Description (mm)	Unit/pack-pieces
---------	------------------	------------------

### Spare covers

05 300	Trunking base 15	2/200
05 302	Trunking base 25	2/60
05 304	Trunking base 40	2/40
05 306	Trunking base 60	2/24
05 308	Trunking base 80	2/16
05 310	Trunking base 100	2/48
05 312	Trunking base 120	2/36
05 314	Trunking base 150	2/28

Article	Description (mm)	Unit/pack-pieces
---------	------------------	------------------

### Fix-O-rapid

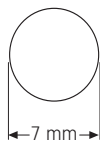
#### Rapid clip for DIN rail

05 250	Trunking base 25	20/600
05 252	Trunking base 40	20/600
05 254	Trunking base 60	20/600
05 256	Trunking base 80	20/240
05 258	Trunking base 100	20/240
05 260	Trunking base 120	20/240
05 262	Trunking base 150	20/240

#### Rapid clip for base plate

05 270	Trunking base 25	20/600
05 272	Trunking base 40	20/600
05 274	Trunking base 60	20/600
05 276	Trunking base 80	20/240
05 278	Trunking base 100	20/240
05 280	Trunking base 120	20/240
05 282	Trunking base 150	20/240

Can be snapped onto holes as shown:



# Wiring ducts

## Thermoplastic wiring ducts with vertical slots



Article	Description (mm)	Unit/pack-pieces
---------	------------------	------------------

### Duct shears

05 265		1
--------	--	---

### Rivet fastener

05 266	For $\varnothing$ 4 and 6mm rivets	1/12
--------	------------------------------------	------

### Plastic rivet

05 214	$\varnothing$ 4 mm	100
05 216	$\varnothing$ 6 mm	100

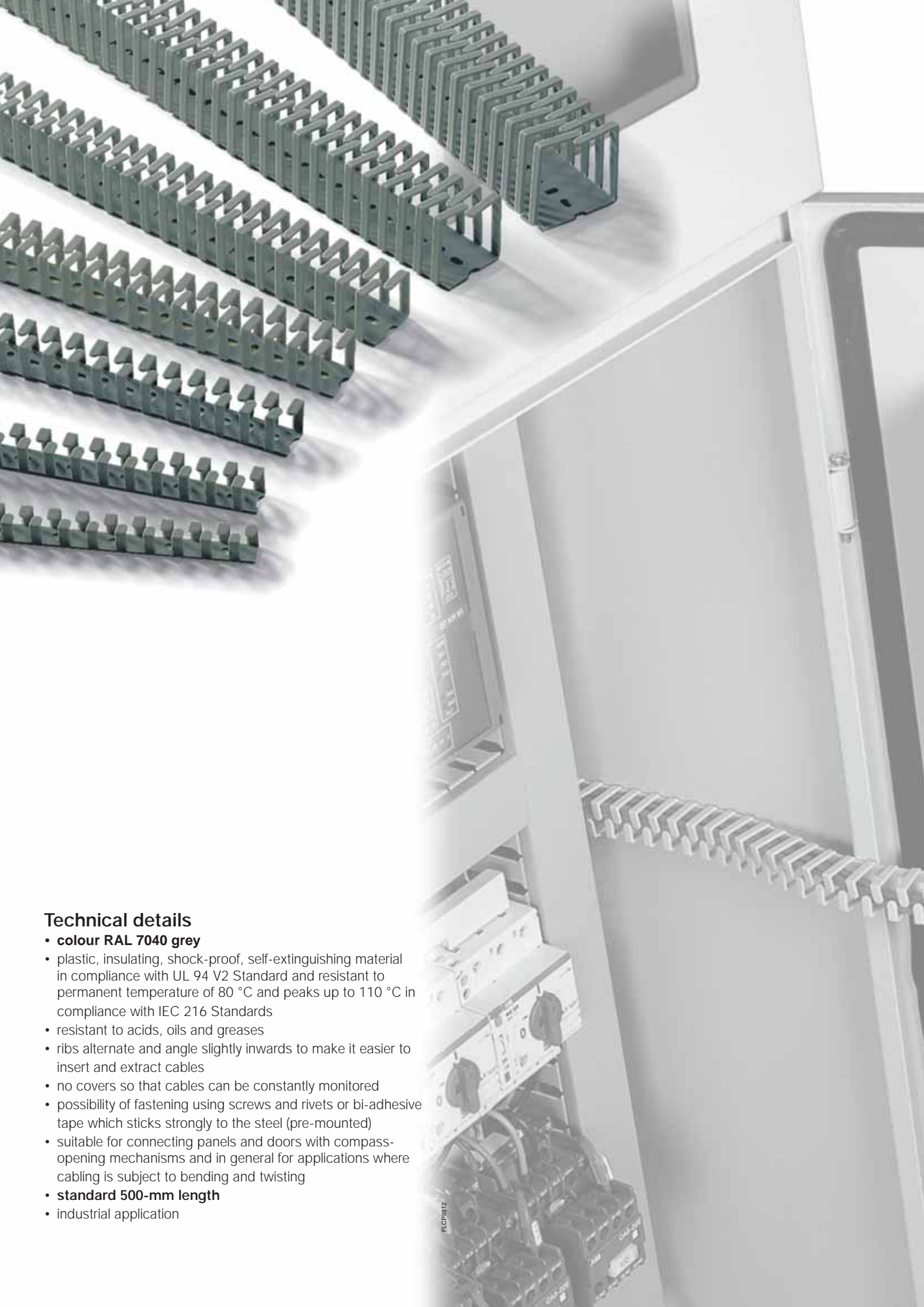
### Plastic cable retainer

05 224	Trunking base 40	100
05 226	Trunking base 60	100
05 228	Trunking base 80	100
05 230	Trunking base 100/120	100

### Plastic label tag

Suitable for wiring ducts with 8/12 mm slots only.

05 240		100
--------	--	-----



## Technical details

- **colour RAL 7040 grey**
- plastic, insulating, shock-proof, self-extinguishing material in compliance with UL 94 V2 Standard and resistant to permanent temperature of 80 °C and peaks up to 110 °C in compliance with IEC 216 Standards
- resistant to acids, oils and greases
- ribs alternate and angle slightly inwards to make it easier to insert and extract cables
- no covers so that cables can be constantly monitored
- possibility of fastening using screws and rivets or bi-adhesive tape which sticks strongly to the steel (pre-mounted)
- suitable for connecting panels and doors with compass-opening mechanisms and in general for applications where cabling is subject to bending and twisting
- **standard 500-mm length**
- industrial application

# Wiring ducts

## Flexible thermoplastic wiring ducts



Article	Dimensions WxH (mm)	Weight (kg/piece)	Unit/pack-pieces
---------	---------------------	-------------------	------------------

### Flexible wiring duct

Slot pitch 7.5/5.

**Standard length 500 mm.**

05 400	12.5x12.5	0.011	112
05 402	16x16	0.014	84
05 405	20x20	0.024	112
05 410	25x25	0.033	70
05 415	30x30	0.044	50
05 420	40x40	0.066	50
05 425	50x50	0.100	32



### Technical details

- colour RAL 7030 grey
- plastic, insulating, shock-proof, self-extinguishing material in compliance with UL 94 V0 Standard and resistant to abnormal heat and fire up to 960 °C (glow wire test) in compliance with IEC 695-2-1 Standard
- dimensional stability from -20 to +60 °C
- resistant to acids, oils and greases
- circular knockouts on sides with alternate diameters of 18 and 23 mm and interaxis of 50 mm
- ideal solution for branch connection of rigid or corrugated conduits
- specially designed for specific applications, such as lifts
- standard 2-metre length
- industrial application

# Wiring ducts

## Thermoplastic wiring ducts with circular knockouts



Article	Dimensions WxH (mm)	Weight (kg/m)	Unit/pack-metres
---------	---------------------	---------------	------------------

### Wiring duct with round holes

Standard 2-metre length.

05 330	50x50	0,603	36
05 331	100x60	0,952	18







## Index

### Steel wire cable trays

Steel wire cable trays H 35 .....	9/3
Steel wire cable trays H 50 .....	9/3
Steel wire cable trays H 75 .....	9/4

### Sendzimir trunkings

Sendzimir trunkings H 50 .....	9/8
Sendzimir trunkings H 75 .....	9/18

### Cable ladders and trays - hot dip galvanised after production

Cable ladders H 60 .....	9/48
Cable ladders H 100 .....	9/56
Cable ladders H 130 .....	9/64
Closed/punched base cable trays H 60 .....	9/72
Closed/punched base cable trays H 100 .....	9/80
Closed/punched base cable trays H 130 .....	9/88

### Cable trays with electrogalvanization

Cable ladders H 45 for naval application .....	9/96
--	------



## Technical details

- mechanical protection against impacts Ik 10 (up to 20 J)
- classified in "D" class as for the drilling index >30% and in "Z" class as for free base index >90%, in compliance with EN 61537 Standard
- available in three different heights and with very resistant finishing:
  - **sendzimir painted galvanization (mica-colors grey)**
  - sendzimir galvanization (on request)
  - hot dip galvanization after production (on request)
- the universal joint guarantees electrical continuity even in the painted sendzimir version
- painted with thermosetting, epoxy-polyester powders; average thickness 60 micron
- cable trays can be equipped with couplers, corners, shelves and other products of the ABB SACE metal trunking range
- fields of application: industrial, commercial and naval

SEE ASSEMBLY  
INSTRUCTIONS ON  
PAGES 11/4 - 11/15

# Industrial metal trunkings

## Steel wire cable trays



Article	Description	Finishing	Unit/pack-metres
---------	-------------	-----------	------------------

### Steel wire cable trays H 35 mm

1SL9816A00	Straight element W 75 x H 35 x L 3000 mm	V	24
1SL9817A00	Straight element W 100 x H 35 x L 3000 mm	V	24
1SL9818A00	Straight element W 150 x H 35 x L 3000 mm	V	24
1SL9819A00	Straight element W 200 x H 35 x L 3000 mm	V	12
1SL9820A00	Straight element W 300 x H 35 x L 3000 mm	V	12
1SL9810A00	Straight element W 75 x H 35 x L 3000 mm	Z	24
1SL9811A00	Straight element W 100 x H 35 x L 3000 mm	Z	24
1SL9812A00	Straight element W 150 x H 35 x L 3000 mm	Z	24
1SL9813A00	Straight element W 200 x H 35 x L 3000 mm	Z	12
1SL9814A00	Straight element W 300 x H 35 x L 3000 mm	Z	12
1SL9822A00	Straight element W 75 x H 35 x L 3000 mm	GAC	24
1SL9823A00	Straight element W 100 x H 35 x L 3000 mm	GAC	24
1SL9824A00	Straight element W 150 x H 35 x L 3000 mm	GAC	24
1SL9825A00	Straight element W 200 x H 35 x L 3000 mm	GAC	12
1SL9826A00	Straight element W 300 x H 35 x L 3000 mm	GAC	12



### Steel wire cable trays H 50 mm

1SL9836A00	Straight element W 75 x H 50 x L 3000 mm	V	24
1SL9837A00	Straight element W 100 x H 50 x L 3000 mm	V	24
1SL9838A00	Straight element W 150 x H 50 x L 3000 mm	V	24
1SL9839A00	Straight element W 200 x H 50 x L 3000 mm	V	12
1SL9840A00	Straight element W 300 x H 50 x L 3000 mm	V	12
1SL9841A00	Straight element W 400 x H 50 x L 3000 mm	V	6
1SL9842A00	Straight element W 500 x H 50 x L 3000 mm	V	6
1SL9828A00	Straight element W 75 x H 50 x L 3000 mm	Z	24
1SL9829A00	Straight element W 100 x H 50 x L 3000 mm	Z	24
1SL9830A00	Straight element W 150 x H 50 x L 3000 mm	Z	24
1SL9831A00	Straight element W 200 x H 50 x L 3000 mm	Z	12
1SL9832A00	Straight element W 300 x H 50 x L 3000 mm	Z	12
1SL9833A00	Straight element W 400 x H 50 x L 3000 mm	Z	6
1SL9834A00	Straight element W 500 x H 50 x L 3000 mm	Z	6
1SL9844A00	Straight element W 75 x H 50 x L 3000 mm	GAC	24
1SL9845A00	Straight element W 100 x H 50 x L 3000 mm	GAC	24
1SL9846A00	Straight element W 150 x H 50 x L 3000 mm	GAC	24
1SL9847A00	Straight element W 200 x H 50 x L 3000 mm	GAC	12
1SL9848A00	Straight element W 300 x H 50 x L 3000 mm	GAC	12
1SL9849A00	Straight element W 400 x H 50 x L 3000 mm	GAC	6
1SL9850A00	Straight element W 500 x H 50 x L 3000 mm	GAC	6

V = sendzimir painted

Z = sendzimir

GAC = hot dip galvanised after production

# Industrial metal trunkings

## Steel wire cable trays



Article	Description	Finishing	Unit/pack-metres
---------	-------------	-----------	------------------

### Steel wire cable trays H 75 mm

1SL9860A00	Straight element W 75 x H 75 x L 3000 mm	V	24
1SL9861A00	Straight element W 100 x H 75 x L 3000 mm	V	24
1SL9862A00	Straight element W 150 x H 75 x L 3000 mm	V	12
1SL9863A00	Straight element W 200 x H 75 x L 3000 mm	V	12
1SL9864A00	Straight element W 300 x H 75 x L 3000 mm	V	6
1SL9865A00	Straight element W 400 x H 75 x L 3000 mm	V	6
1SL9866A00	Straight element W 500 x H 75 x L 3000 mm	V	6
1SL9852A00	Straight element W 75 x H 75 x L 3000 mm	Z	24
1SL9853A00	Straight element W 100 x H 75 x L 3000 mm	Z	24
1SL9854A00	Straight element W 150 x H 75 x L 3000 mm	Z	12
1SL9855A00	Straight element W 200 x H 75 x L 3000 mm	Z	12
1SL9856A00	Straight element W 300 x H 75 x L 3000 mm	Z	6
1SL9857A00	Straight element W 400 x H 75 x L 3000 mm	Z	6
1SL9858A00	Straight element W 500 x H 75 x L 3000 mm	Z	6
1SL9868A00	Straight element W 75 x H 75 x L 3000 mm	GAC	24
1SL9869A00	Straight element W 100 x H 75 x L 3000 mm	GAC	24
1SL9870A00	Straight element W 150 x H 75 x L 3000 mm	GAC	12
1SL9871A00	Straight element W 200 x H 75 x L 3000 mm	GAC	12
1SL9872A00	Straight element W 300 x H 75 x L 3000 mm	GAC	6
1SL9873A00	Straight element W 400 x H 75 x L 3000 mm	GAC	6
1SL9874A00	Straight element W 500 x H 75 x L 3000 mm	GAC	6

V = painted sendzimir

Z = sendzimir

GAC = hot dip galvanised after production

# Industrial metal trunkings

## Steel wire cable trays



Article	Description	Finishing	Unit/pack-metres
---------	-------------	-----------	------------------

### Covers

07 241	Straight cover W 75 x L 3000 mm	Z	48
07 242	Straight cover W 100 x L 3000 mm	Z	48
07 243	Straight cover W 150 x L 3000 mm	Z	48
07 244	Straight cover W 200 x L 3000 mm	Z	36
07 245	Straight cover W 300 x L 3000 mm	Z	36
07 246	Straight cover W 400 x L 3000 mm	Z	30
07 247	Straight cover W 500 x L 3000 mm	Z	24

### Straight dividers

1SL9904A00	Divider L 2000 mm for cable trays H 35 mm	Z	20
06 652	Divider L 2000 mm for cable trays H 50 mm	Z	20
07 855	Divider L 2000 mm for cable trays H 75 mm	Z	20
1SL9876A00	Divider L 2000 mm for cable trays H 35 mm	GAC	20
1SL9877A00	Divider L 2000 mm for cable trays H 50 mm	GAC	20
1SL9878A00	Divider L 2000 mm for cable trays H 75 mm	GAC	20

Z = sendzimir

GAC = hot dip galvanised after production

# Industrial metal trunkings

## Steel wire cable trays



Article	Description	Finishing	Unit/pack-pieces
<b>Joints</b>			
1SL9879A00	Universal joint with screws	EZ	10
1SL9880A00	Straight joint	Z	2
1SL9881A00	Joint for curves with screws	Z	2
1SL9882A00	"T" joint for cable trays B 75 mm	Z	2
1SL9883A00	Suspension plate	Z	2
1SL9884A00	Connection plate with screws	EZ	10
1SL9907A00	Linear snap-on joint for cable trays H 35 mm	Z	2
1SL9886A00	Linear snap-on joint for cable trays H 50 mm	Z	2
1SL9887A00	Linear snap-on joint for cable trays H 75 mm	Z	2
1SL9888A00	Adapter joint H 50 mm for coupler with sendzimir ducts H 50 mm with screws	Z	2
1SL9889A00	Adapter joint H 75 mm for coupler with sendzimir ducts H 75 mm with screws	Z	2

Z = sendzimir  
EZ = electrogalvanization

# Industrial metal trunkings

## Steel wire cable trays



Article	Description	Finishing	Unit/pack-pieces
---------	-------------	-----------	------------------

### Accessories for shelves

1SL9893A00	Fixing element for shelves, with screws	EZ	10
1SL9894A00	Fixing element for shelves with rapid mounting device	Plastic	10

### Cross-sections for floor/wall/ceiling fixing

1SL9910A00	Cross-section L 150 mm for cable trays B 75-100 mm	Z	10
1SL9911A00	Cross-section L 200 mm for cable trays B 150 mm	Z	10
1SL9912A00	Cross-section L 250 mm for cable trays B 200 mm	Z	10
1SL9913A00	Cross-section L 350 mm for cable trays B 300 mm	Z	10
1SL9914A00	Cross-section L 450 mm for cable trays B 400 mm	Z	10
1SL9915A00	Cross-section L 550 mm for cable trays B 500 mm	Z	10
1SL9916A00	Cross-section L 650 mm	Z	10

### Accessories

11SL9890A00	Sliding plate for cable exit	Z	1
-------------	------------------------------	---	---

1SL9891A00	Support for connection boxes	Z	1
------------	------------------------------	---	---

1SL9892A00	Support for corrugated pipes	Z	1
------------	------------------------------	---	---

1SL9902A00	Shears		1
------------	--------	--	---

1SL9903A00	Identification plate	Plastic	10
------------	----------------------	---------	----

Z = sendzimir

EZ = electrogalvanization





## Technical details

- degree of protection IP20 (punched) and IP40 (degree of protection refers to trunkings with mounted cover)
- produced in hot dip galvanised sendzimir steel plate EN 10147 S250GD + Z200 MAC
- standard height 50 mm
- special method used to punch the trunkings totally eliminates burr, guaranteeing maximum safety for the cables and the operator
- all corners and branch connections have a wide curving angle (125 mm)
- accessories are assembled using a mechanical system that requires no welding
- a mechanical joint system guarantees electrical continuity
- industrial application
- suspension systems: page 10/1.



# Industrial metal trunkings

## Sendzimir trunkings H 50



Article	Trunking base (mm)	Length (mm)	Colour	Weight (kg/m)	Unit/pack-metres
---------	--------------------	-------------	--------	---------------	------------------

### Punched cable trunking IP20\*

06 312	100	3000	Galvanised	1.32	36
06 313	150	3000	Galvanised	1.61	36
06 314	200	3000	Galvanised	2.37	18
06 315	300	3000	Galvanised	3.12	18
06 316	400	3000	Galvanised	4.64	18
06 317	500	3000	Galvanised	5.53	18

### Cable trunking IP40\*

06 332	100	3000	Galvanised	1.39	36
06 333	150	3000	Galvanised	1.70	36
06 334	200	3000	Galvanised	2.50	18
06 335	300	3000	Galvanised	3.29	18
06 336	400	3000	Galvanised	4.89	18
06 337	500	3000	Galvanised	5.82	18

### Cover for cable trunking IP20 and IP40

07 242	100	3000	Galvanised	0.69	48
07 243	150	3000	Galvanised	0.92	48
07 244	200	3000	Galvanised	1.16	36
07 245	300	3000	Galvanised	2.16	36
07 246	400	3000	Galvanised	2.79	30
07 247	500	3000	Galvanised	3.48	24

\* Degree of protection refers to feeders with mounted cover

Article	For trunking base (mm)	Colour	Unit/pack-pieces
---------	------------------------	--------	------------------

### 90° flat corner

Base				
06 352	100	Galvanised	8	
06 353	150	Galvanised	8	
06 354	200	Galvanised	4	
06 355	300	Galvanised	4	
06 356	400	Galvanised	2	
06 357	500	Galvanised	2	
Cover				
06 362	100	Galvanised	8	
06 363	150	Galvanised	8	
06 364	200	Galvanised	4	
06 365	300	Galvanised	4	
06 366	400	Galvanised	2	
06 367	500	Galvanised	2	

Except in specifically indicated cases, the accessories cover must be ordered separately.

# Industrial metal trunkings

## Sendzimir trunkings H 50



Article	For trunking base (mm)	Colour	Unit/pack-pieces
---------	------------------------	--------	------------------

### 45° flat corner

#### Base

06 372	100	Galvanised	8
06 373	150	Galvanised	4
06 374	200	Galvanised	4
06 375	300	Galvanised	4
06 376	400	Galvanised	2
06 377	500	Galvanised	2

#### Cover

06 382	100	Galvanised	8
06 383	150	Galvanised	4
06 384	200	Galvanised	4
06 385	300	Galvanised	4
06 386	400	Galvanised	2
06 387	500	Galvanised	2

### Flat tee

#### Base

06 392	100	Galvanised	4
06 393	150	Galvanised	4
06 394	200	Galvanised	4
06 395	300	Galvanised	2
06 396	400	Galvanised	2
06 397	500	Galvanised	2

#### Cover

06 402	100	Galvanised	4
06 403	150	Galvanised	4
06 404	200	Galvanised	4
06 405	300	Galvanised	2
06 406	400	Galvanised	2
06 407	500	Galvanised	2

Except in specifically indicated cases, the accessories cover must be ordered separately.

# Industrial metal trunkings

## Sendzimir trunkings H 50



Article	For trunking base (mm)	Colour	Unit/pack-pieces
---------	------------------------	--------	------------------

### Flat cross

Base			
06 412	100	Galvanised	4
06 413	150	Galvanised	4
06 414	200	Galvanised	2
06 415	300	Galvanised	2
06 416	400	Galvanised	2
06 417	500	Galvanised	2

Cover			
06 422	100	Galvanised	4
06 423	150	Galvanised	4
06 424	200	Galvanised	2
06 425	300	Galvanised	2
06 426	400	Galvanised	2
06 427	500	Galvanised	2

### 90° vertical inside riser

Base			
06 462	100	Galvanised	6
06 463	150	Galvanised	4
06 464	200	Galvanised	4
06 465	300	Galvanised	2
06 466	400	Galvanised	2
06 467	500	Galvanised	2

Cover			
06 472	100	Galvanised	6
06 473	150	Galvanised	4
06 474	200	Galvanised	4
06 475	300	Galvanised	2
06 476	400	Galvanised	2
06 477	500	Galvanised	2

Except in specifically indicated cases, the accessories cover must be ordered separately.

# Industrial metal trunkings

## Sendzimir trunkings H 50



FLCMR031-32



FLCMR033-34

Article	For trunking base (mm)	Colour	Unit/pack-pieces
---------	------------------------	--------	------------------

### 45° vertical inside riser

Base			
06 482	100	Galvanised	6
06 483	150	Galvanised	4
06 484	200	Galvanised	3
06 485	300	Galvanised	2
06 486	400	Galvanised	2
06 487	500	Galvanised	2

Cover			
06 492	100	Galvanised	6
06 493	150	Galvanised	4
06 494	200	Galvanised	3
06 495	300	Galvanised	2
06 496	400	Galvanised	2
06 497	500	Galvanised	2

### 90° vertical outside riser

Base			
06 502	100	Galvanised	6
06 503	150	Galvanised	4
06 504	200	Galvanised	4
06 505	300	Galvanised	2
06 506	400	Galvanised	2
06 507	500	Galvanised	2

Cover			
06 512	100	Galvanised	6
06 513	150	Galvanised	4
06 514	200	Galvanised	4
06 515	300	Galvanised	2
06 516	400	Galvanised	2
06 517	500	Galvanised	2

Except in specifically indicated cases, the accessories cover must be ordered separately.

# Industrial metal trunkings

## Sendzimir trunkings H 50



FLCM805-96



FLCM807



FLCM808

Article	For trunking base (mm)	Colour	Unit/pack-pieces
---------	------------------------	--------	------------------

### 45° vertical outside riser

Base			
06 522	100	Galvanised	6
06 523	150	Galvanised	4
06 524	200	Galvanised	3
06 525	300	Galvanised	2
06 526	400	Galvanised	2
06 527	500	Galvanised	2

Cover			
06 532	100	Galvanised	6
06 533	150	Galvanised	4
06 534	200	Galvanised	3
06 535	300	Galvanised	2
06 536	400	Galvanised	2
06 537	500	Galvanised	2

### End cap

06 542	100	Galvanised	4
06 543	150	Galvanised	4
06 544	200	Galvanised	4
06 545	300	Galvanised	4
06 546	400	Galvanised	4
06 547	500	Galvanised	4

### Left 90° vertical outside riser

Complete with cover.			
06 562	100	Galvanised	2
06 563	150	Galvanised	2
06 564	200	Galvanised	2
06 565	300	Galvanised	2
06 566	400	Galvanised	1
06 567	500	Galvanised	1

Except in specifically indicated cases, the accessories cover must be ordered separately.

# Industrial metal trunkings

## Sendzimir trunkings H 50



Article	For trunking base (mm)	Colour	Unit/pack-pieces
---------	------------------------	--------	------------------

### Right 90° vertical outside riser

Complete with base.

06 572	100	Galvanised	2
06 573	150	Galvanised	2
06 574	200	Galvanised	2
06 575	300	Galvanised	2
06 576	400	Galvanised	1
06 577	500	Galvanised	1

### Vertical tee corner with level gradient

Complete with base.

06 582	100	Galvanised	3
06 583	150	Galvanised	2
06 584	200	Galvanised	2
06 585	300	Galvanised	2
06 586	400	Galvanised	1
06 587	500	Galvanised	1

# Industrial metal trunkings

## Sendzimir trunkings H 50



Article	Reduction from (mm)	Colour	Unit/pack-pieces
---------	---------------------	--------	------------------

### Left reducer

06 602	50	Galvanised	4
06 603	100	Galvanised	4
06 604	150	Galvanised	4
06 605	200	Galvanised	4

### Right reducer

06 612	50	Galvanised	4
06 613	100	Galvanised	4
06 614	150	Galvanised	4
06 615	200	Galvanised	4

Article	For trunking base (mm)	Colour	Unit/pack-pieces
---------	------------------------	--------	------------------

### Integral mechanical joint

Guarantees electric continuity. Complete with screws and nuts.

06 632	100	Galvanised	48
06 633	150	Galvanised	36
06 634	200	Galvanised	24
06 635	300	Galvanised	24
06 636	400	Galvanised	8
06 637	500	Galvanised	8



# Industrial metal trunkings

## Sendzimir trunkings H 50



Article	Length (mm)	Colour	Unit/pack-pieces
---------	-------------	--------	------------------

### Mechanical joint for trunkings

Guarantees electric continuity.  
Every joint supplied with 2 plates, screws and nuts.

06 642	180		30
--------	-----	--	----

### Mechanical joint for accessories

Guarantees electric continuity.  
Every joint supplied with 2 plates, screws and nuts.

06 643	80		30
--------	----	--	----

### Adjustable vertical joint

Guarantees electric continuity.  
Every joint supplied with 2 plates, screws and nuts.

06 644			10
--------	--	--	----

### Flange for fastening to switchboard

Supplied with 2 plates, screws and nuts.

06 646		Galvanised	25
--------	--	------------	----

Article	Length (mm)	Colour	Unit/pack-metres
---------	-------------	--------	------------------

### Galvanised divider profile

06 652	2000	Galvanised	20
--------	------	------------	----

# Industrial metal trunkings

## Sendzimir trunkings H 50



Article	Description	Unit/pack-pieces
---------	-------------	------------------

### Screw and nut

07 848	Round-headed M6x10 screw with nut	100
--------	-----------------------------------	-----

### Earth staple

07 850	Staple complete with 2 M6x10 screws	50
--------	-------------------------------------	----



## Technical details

- degree of protection IP20 (punched) and IP40; using special accessories the degree of protection of the IP40 trunkings can be increased to IP44 (the degree of protection refers to trunkings with mounted cover)
- colours:
  - galvanised
  - RAL 7032 grey
  - bright blue
- produced in hot dip galvanised sendzimir steel plate EN 10147 S250GD + Z200 MAC
- painted with thermosetting, epoxy-polyester powders; average thickness 70-80 micron, after production on hot dip sendzimir galvanised plate
- standard height 75 mm
- special method used to punch the trunkings totally eliminates burr, guaranteeing maximum safety for the cables and the operator
- all corners and branch connections have a wide curving angle (125 mm)
- accessories are assembled using a mechanical system that requires no welding
- a mechanical joint system guarantees electrical continuity
- in the version with cover all accessories are supplied in the following colours:
  - galvanised
  - RAL 7032 grey
  - bright blue
- accessories without cover are available in the galvanised version
- on request galvanised trunkings and accessories can be supplied varnished
- industrial application
- suspension systems: page 10/1



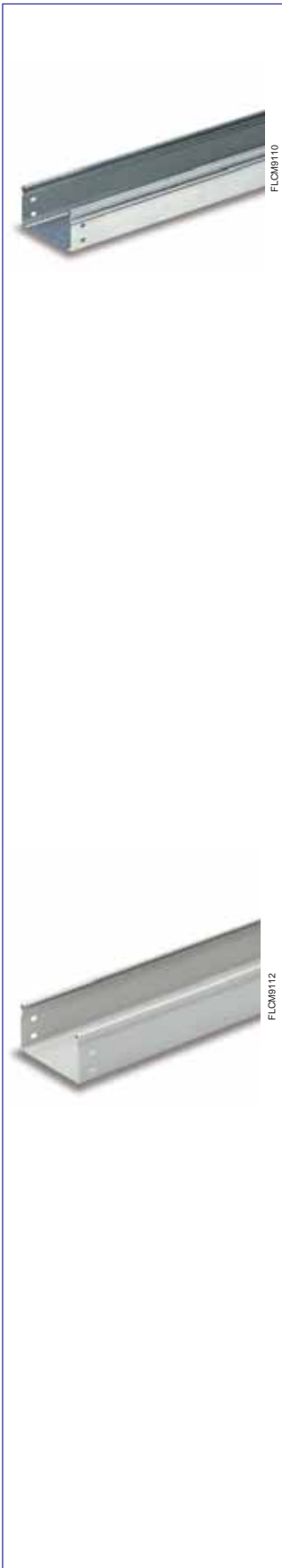
FLC/M807



IMQ mark  
in compliance with CEI 23-31+V1 Standard

# Industrial metal trunkings

## Sendzimir trunkings H 75



Article	Base (mm)	Length (mm)	Colour	Weight (kg/m)	Unit/pack-metres
---------	-----------	-------------	--------	---------------	------------------

### Galvanised metal trunking H 75 – IP40\*

07 111	75	1000	Galvanised	1.54	8
07 112	100	1000	Galvanised	1.70	8
07 113	150	1000	Galvanised	2.00	8
07 114	200	1000	Galvanised	2.32	6
07 115	300	1000	Galvanised	3.76	6
07 121	75	2000	Galvanised	1.54	16
07 122	100	2000	Galvanised	1.70	16
07 123	150	2000	Galvanised	2.00	16
07 124	200	2000	Galvanised	2.32	12
07 125	300	2000	Galvanised	3.76	12
07 126	400	2000	Galvanised	5.37	12
07 127	500	2000	Galvanised	6.31	8
07 131	75	3000	Galvanised	1.54	24
07 132	100	3000	Galvanised	1.70	24
07 133	150	3000	Galvanised	2.00	24
07 134	200	3000	Galvanised	2.32	18
07 135	300	3000	Galvanised	3.76	18
07 136	400	3000	Galvanised	5.37	18
07 137	500	3000	Galvanised	6.31	12

\* Degree of protection IP40 refers to trunkings with mounted cover

Article	Base (mm)	Length (mm)	Colour	Weight (kg/m)	Unit/pack-metres
---------	-----------	-------------	--------	---------------	------------------

### Metal trunking painted in RAL 7032 grey H 75 – IP40\*

07 141	75	1000	RAL 7032 grey	1.66	4
07 142	100	1000	RAL 7032 grey	1.84	4
07 143	150	1000	RAL 7032 grey	2.13	4
07 144	200	1000	RAL 7032 grey	2.47	2
07 145	300	1000	RAL 7032 grey	3.96	2
07 151	75	2000	RAL 7032 grey	1.66	8
07 152	100	2000	RAL 7032 grey	1.84	8
07 153	150	2000	RAL 7032 grey	2.13	8
07 154	200	2000	RAL 7032 grey	2.47	4
07 155	300	2000	RAL 7032 grey	3.96	4
07 161	75	3000	RAL 7032 grey	1.66	12
07 162	100	3000	RAL 7032 grey	1.84	12
07 163	150	3000	RAL 7032 grey	2.13	12
07 164	200	3000	RAL 7032 grey	2.47	6
07 165	300	3000	RAL 7032 grey	3.96	6

\* Degree of protection IP40 refers to trunkings with mounted cover

# Industrial metal trunkings

## Sendzimir trunkings H 75



FLCM811

Article	Base (mm)	Length (mm)	Colour	Weight (kg/m)	Unit/pack-metres
---------	-----------	-------------	--------	---------------	------------------

### Metal trunking painted in bright blue H 75 – IP40\*

08 401	75	1000	Bright blue	1.66	4
08 402	100	1000	Bright blue	1.84	4
08 403	150	1000	Bright blue	2.13	4
08 404	200	1000	Bright blue	2.47	2
08 405	300	1000	Bright blue	3.96	2
08 411	75	2000	Bright blue	1.66	8
08 412	100	2000	Bright blue	1.84	8
08 413	150	2000	Bright blue	2.13	8
08 414	200	2000	Bright blue	2.47	4
08 415	300	2000	Bright blue	3.96	4
08 421	75	3000	Bright blue	1.66	12
08 422	100	3000	Bright blue	1.84	12
08 423	150	3000	Bright blue	2.13	12
08 424	200	3000	Bright blue	2.47	6
08 425	300	3000	Bright blue	3.96	6

\* Degree of protection IP40 refers to trunkings with mounted cover

Article	Base (mm)	Length (mm)	Colour	Weight (kg/m)	Unit/pack-metres
---------	-----------	-------------	--------	---------------	------------------

### Metal galvanised punched trunking H 75 – IP40\*

07 171	75	2000	Galvanised	1.43	16
07 172	100	2000	Galvanised	1.58	16
07 173	150	2000	Galvanised	1.88	16
07 174	200	2000	Galvanised	2.08	12
07 175	300	2000	Galvanised	3.40	12
07 176	400	2000	Galvanised	4.84	12
07 177	500	2000	Galvanised	5.69	8
07 181	75	3000	Galvanised	1.43	24
07 182	100	3000	Galvanised	1.58	24
07 183	150	3000	Galvanised	1.88	24
07 184	200	3000	Galvanised	2.08	18
07 185	300	3000	Galvanised	3.40	18
07 186	400	3000	Galvanised	4.84	18
07 187	500	3000	Galvanised	5.69	12

\* Degree of protection IP40 refers to trunkings with mounted cover



FLCM813

# Industrial metal trunkings

## Sendzimir trunkings H 75



Article	Base (mm)	Length (mm)	Colour	Weight (kg/m)	Unit/pack-metres
---------	-----------	-------------	--------	---------------	------------------

### Galvanised cover for IP40/IP20 trunkings

07 221	75	1000	Galvanised	0.57	16
07 222	100	1000	Galvanised	0.69	16
07 223	150	1000	Galvanised	0.92	16
07 224	200	1000	Galvanised	1.16	12
07 225	300	1000	Galvanised	2.16	12
07 231	75	2000	Galvanised	0.57	32
07 232	100	2000	Galvanised	0.69	32
07 233	150	2000	Galvanised	0.92	32
07 234	200	2000	Galvanised	1.16	24
07 235	300	2000	Galvanised	2.16	24
07 236	400	2000	Galvanised	2.79	20
07 237	500	2000	Galvanised	3.48	16
07 241	75	3000	Galvanised	0.57	48
07 242	100	3000	Galvanised	0.69	48
07 243	150	3000	Galvanised	0.92	48
07 244	200	3000	Galvanised	1.16	36
07 245	300	3000	Galvanised	2.16	36
07 246	400	3000	Galvanised	2.79	30
07 247	500	3000	Galvanised	3.48	24

Article	Base (mm)	Length (mm)	Colour	Weight (kg/m)	Unit/pack-metres
---------	-----------	-------------	--------	---------------	------------------

### Cover painted in RAL 7032 grey for IP40 trunkings

07 261	75	1000	RAL 7032 grey	0.63	12
07 262	100	1000	RAL 7032 grey	0.76	12
07 263	150	1000	RAL 7032 grey	1.02	12
07 264	200	1000	RAL 7032 grey	1.28	6
07 265	300	1000	RAL 7032 grey	2.34	6
07 271	75	2000	RAL 7032 grey	0.63	24
07 272	100	2000	RAL 7032 grey	0.76	24
07 273	150	2000	RAL 7032 grey	1.02	24
07 274	200	2000	RAL 7032 grey	1.28	12
07 275	300	2000	RAL 7032 grey	2.34	12
07 281	75	3000	RAL 7032 grey	0.63	36
07 282	100	3000	RAL 7032 grey	0.76	36
07 283	150	3000	RAL 7032 grey	1.02	36
07 284	200	3000	RAL 7032 grey	1.28	18
07 285	300	3000	RAL 7032 grey	2.34	18

# Industrial metal trunkings

## Sendzimir trunkings H 75



FLCM0115

Article	Base (mm)	Length (mm)	Colour	Weight (kg/m)	Unit/pack-metres
---------	-----------	-------------	--------	---------------	------------------

### Cover painted in bright blue for IP40 trunkings

08 431	75	1000	Bright blue	0.63	12
08 432	100	1000	Bright blue	0.76	12
08 433	150	1000	Bright blue	1.02	12
08 434	200	1000	Bright blue	1.28	6
08 435	300	1000	Bright blue	2.34	6
08 441	75	2000	Bright blue	0.63	24
08 442	100	2000	Bright blue	0.76	24
08 443	150	2000	Bright blue	1.02	24
08 444	200	2000	Bright blue	1.28	12
08 445	300	2000	Bright blue	2.34	12
08 451	75	3000	Bright blue	0.63	36
08 452	100	3000	Bright blue	0.76	36
08 453	150	3000	Bright blue	1.02	36
08 454	200	3000	Bright blue	1.28	18
08 455	300	3000	Bright blue	2.34	18

Article	Unit/pack-metres
---------	------------------

### Plastic hinge for cover

07 854	20
--------	----



FLCM0191

# Industrial metal trunkings

## Sendzimir trunkings H 75



Article	For trunking base (mm)	Colour	Unit/pack-pieces
---------	------------------------	--------	------------------

### 45° flat corner complete with cover

Complete with cover earth wiring accessories.

07 311	75	Galvanised	8
07 312	100	Galvanised	8
07 313	150	Galvanised	4
07 314	200	Galvanised	4
07 315	300	Galvanised	4
07 316	400	Galvanised	2
07 317	500	Galvanised	2
07 321	75	RAL 7032 grey	8
07 322	100	RAL 7032 grey	8
07 323	150	RAL 7032 grey	4
07 324	200	RAL 7032 grey	4
07 325	300	RAL 7032 grey	4
08 501	75	Bright blue	8
08 502	100	Bright blue	8
08 503	150	Bright blue	4
08 504	200	Bright blue	4
08 505	300	Bright blue	4

### 45° flat corner without cover

17 311	75	Galvanised	8
17 312	100	Galvanised	8
17 313	150	Galvanised	4
17 314	200	Galvanised	4
17 315	300	Galvanised	4
17 316	400	Galvanised	2
17 317	500	Galvanised	2

### Cover for 45° flat corner

06 381	75	Galvanised	8
06 382	100	Galvanised	8
06 383	150	Galvanised	8
06 384	200	Galvanised	4
06 385	300	Galvanised	4
06 386	400	Galvanised	2
06 387	500	Galvanised	2



# Industrial metal trunkings

## Sendzimir trunkings H 75



Article	For trunking base (mm)	Colour	Unit/pack-pieces
---------	------------------------	--------	------------------

### 90° flat corner complete with cover

Complete with cover earth wiring accessories.

07 291	75	Galvanised	8
07 292	100	Galvanised	8
07 293	150	Galvanised	8
07 294	200	Galvanised	4
07 295	300	Galvanised	4
07 296	400	Galvanised	2
07 297	500	Galvanised	2
07 301	75	RAL 7032 grey	8
07 302	100	RAL 7032 grey	8
07 303	150	RAL 7032 grey	8
07 304	200	RAL 7032 grey	4
07 305	300	RAL 7032 grey	4
08 511	75	Bright blue	8
08 512	100	Bright blue	8
08 513	150	Bright blue	8
08 514	200	Bright blue	4
08 515	300	Bright blue	4

### 90° flat corner without cover

17 291	75	Galvanised	8
17 292	100	Galvanised	8
17 293	150	Galvanised	8
17 294	200	Galvanised	4
17 295	300	Galvanised	4
17 296	400	Galvanised	2
17 297	500	Galvanised	2

### Cover for 90° flat corner

06 361	75	Galvanised	8
06 362	100	Galvanised	8
06 363	150	Galvanised	4
06 364	200	Galvanised	4
06 365	300	Galvanised	4
06 366	400	Galvanised	2
06 367	500	Galvanised	2

# Industrial metal trunkings

## Sendzimir trunkings H 75



Article	For trunking base (mm)	Colour	Unit/pack-pieces
---------	------------------------	--------	------------------

### Flat tee corner complete with cover

Complete with cover earth wiring accessories.

07 351	75	Galvanised	4
07 352	100	Galvanised	4
07 353	150	Galvanised	4
07 354	200	Galvanised	4
07 355	300	Galvanised	2
07 356	400	Galvanised	2
07 357	500	Galvanised	2
07 361	75	RAL 7032 grey	4
07 362	100	RAL 7032 grey	4
07 363	150	RAL 7032 grey	4
07 364	200	RAL 7032 grey	4
07 365	300	RAL 7032 grey	2
08 521	75	Bright blue	4
08 522	100	Bright blue	4
08 523	150	Bright blue	4
08 524	200	Bright blue	4
08 525	300	Bright blue	2

### Flat tee corner without cover

17 351	75	Galvanised	4
17 352	100	Galvanised	4
17 353	150	Galvanised	4
17 354	200	Galvanised	4
17 355	300	Galvanised	2
17 356	400	Galvanised	2
17 357	500	Galvanised	2

### Cover for flat tee corner

06 401	75	Galvanised	4
06 402	100	Galvanised	4
06 403	150	Galvanised	4
06 404	200	Galvanised	4
06 405	300	Galvanised	2
06 406	400	Galvanised	2
06 407	500	Galvanised	2

# Industrial metal trunkings

## Sendzimir trunkings H 75



Article	For trunking base (mm)	Colour	Unit/pack-pieces
---------	------------------------	--------	------------------

### Flat tee corner with reducer and cover

Complete with cover earth wiring accessories.

07 710	100/75	Galvanised	4
07 711	150/75	Galvanised	4
07 712	150/100	Galvanised	4
07 713	200/75	Galvanised	4
07 714	200/100	Galvanised	4
07 715	200/150	Galvanised	4
07 716	300/75	Galvanised	2
07 717	300/100	Galvanised	2
07 718	300/150	Galvanised	2
07 719	300/200	Galvanised	2
07 720	100/75	RAL 7032 grey	4
07 721	150/75	RAL 7032 grey	4
07 722	150/100	RAL 7032 grey	4
07 723	200/75	RAL 7032 grey	4
07 724	200/100	RAL 7032 grey	4
07 725	200/150	RAL 7032 grey	4
07 726	300/75	RAL 7032 grey	2
07 727	300/100	RAL 7032 grey	2
07 728	300/150	RAL 7032 grey	2
07 729	300/200	RAL 7032 grey	2
08 660	100/75	Bright blue	4
08 661	150/75	Bright blue	4
08 662	150/100	Bright blue	4
08 663	200/75	Bright blue	4
08 664	200/100	Bright blue	4
08 665	200/150	Bright blue	4
08 666	300/75	Bright blue	2
08 667	300/100	Bright blue	2
08 668	300/150	Bright blue	2
08 669	300/200	Bright blue	2

# Industrial metal trunkings

## Sendzimir trunkings H 75



Article	For trunking base (mm)	Colour	Unit/pack-pieces
---------	------------------------	--------	------------------

### Flat tee corner with reducer without cover

17 710	100/75	Galvanised	4
17 711	150/75	Galvanised	4
17 712	150/100	Galvanised	4
17 713	200/75	Galvanised	4
17 714	200/100	Galvanised	4
17 715	200/150	Galvanised	4
17 716	300/75	Galvanised	2
17 717	300/100	Galvanised	2
17 718	300/150	Galvanised	2
17 719	300/200	Galvanised	2

### Cover for flat tee corner with reducer

27 710	100/75	Galvanised	
27 711	150/75	Galvanised	
27 712	150/100	Galvanised	
27 713	200/75	Galvanised	
27 714	200/100	Galvanised	
27 715	200/150	Galvanised	
27 716	300/75	Galvanised	
27 717	300/100	Galvanised	
27 718	300/150	Galvanised	
27 719	300/200	Galvanised	

# Industrial metal trunkings

## Sendzimir trunkings H 75



Article	For trunking base (mm)	Colour	Unit/pack-pieces
---------	------------------------	--------	------------------

### Flat cross complete with cover

Complete with cover earth wiring accessories.

07 371	75	Galvanised	4
07 372	100	Galvanised	4
07 373	150	Galvanised	4
07 374	200	Galvanised	2
07 375	300	Galvanised	2
07 376	400	Galvanised	2
07 377	500	Galvanised	2
07 381	75	RAL 7032 grey	4
07 382	100	RAL 7032 grey	4
07 383	150	RAL 7032 grey	4
07 384	200	RAL 7032 grey	2
07 385	300	RAL 7032 grey	2
08 531	75	Bright blue	4
08 532	100	Bright blue	4
08 533	150	Bright blue	4
08 534	200	Bright blue	2
08 535	300	Bright blue	2

### Flat cross without cover

17 371	75	Galvanised	4
17 372	100	Galvanised	4
17 373	150	Galvanised	4
17 374	200	Galvanised	2
17 375	300	Galvanised	2
17 376	400	Galvanised	2
17 377	500	Galvanised	2

### Cover for flat cross

06 421	75	Galvanised	4
06 422	100	Galvanised	4
06 423	150	Galvanised	4
06 424	200	Galvanised	2
06 425	300	Galvanised	2
06 426	400	Galvanised	2
06 427	500	Galvanised	2

# Industrial metal trunkings

## Sendzimir trunkings H 75



Article	For trunking base (mm)	Colour	Unit/pack-pieces
---------	------------------------	--------	------------------

### 90° vertical inside riser complete with cover

Complete with cover earth wiring accessories.

07 391	75	Galvanised	8
07 392	100	Galvanised	6
07 393	150	Galvanised	4
07 394	200	Galvanised	4
07 395	300	Galvanised	2
07 396	400	Galvanised	2
07 397	500	Galvanised	2
07 401	75	RAL 7032 grey	8
07 402	100	RAL 7032 grey	6
07 403	150	RAL 7032 grey	4
07 404	200	RAL 7032 grey	4
07 405	300	RAL 7032 grey	2
08 541	75	Bright blue	8
08 542	100	Bright blue	6
08 543	150	Bright blue	4
08 544	200	Bright blue	4
08 545	300	Bright blue	2

### 90° vertical inside riser without cover

17 391	75	Galvanised	8
17 392	100	Galvanised	6
17 393	150	Galvanised	4
17 394	200	Galvanised	4
17 395	300	Galvanised	2
17 396	400	Galvanised	2
17 397	500	Galvanised	2

### Cover for 90° vertical inside riser

06 471	75	Galvanised	8
06 472	100	Galvanised	6
06 473	150	Galvanised	4
06 474	200	Galvanised	4
06 475	300	Galvanised	2
06 476	400	Galvanised	2
06 477	500	Galvanised	2

# Industrial metal trunkings

## Sendzimir trunkings H 75



Article	For trunking base (mm)	Colour	Unit/pack-pieces
---------	------------------------	--------	------------------

### 45° vertical inside riser complete with cover

Complete with cover earth wiring accessories.

07 411	75	Galvanised	8
07 412	100	Galvanised	6
07 413	150	Galvanised	4
07 414	200	Galvanised	4
07 415	300	Galvanised	2
07 416	400	Galvanised	2
07 417	500	Galvanised	2
07 421	75	RAL 7032 grey	8
07 422	100	RAL 7032 grey	6
07 423	150	RAL 7032 grey	4
07 424	200	RAL 7032 grey	4
07 425	300	RAL 7032 grey	2
08 551	75	Bright blue	8
08 552	100	Bright blue	6
08 553	150	Bright blue	4
08 554	200	Bright blue	4
08 555	300	Bright blue	2

### 45° vertical inside riser without cover

17 411	75	Galvanised	8
17 412	100	Galvanised	6
17 413	150	Galvanised	4
17 414	200	Galvanised	4
17 415	300	Galvanised	2
17 416	400	Galvanised	2
17 417	500	Galvanised	2

### Cover for 45° vertical inside riser

06 491	75	Galvanised	8
06 492	100	Galvanised	6
06 493	150	Galvanised	4
06 494	200	Galvanised	4
06 495	300	Galvanised	2
06 496	400	Galvanised	2
06 497	500	Galvanised	2

# Industrial metal trunkings

## Sendzimir trunkings H 75



Article	For trunking base (mm)	Colour	Unit/pack-pieces
---------	------------------------	--------	------------------

### 90° vertical outside riser complete with cover

Complete with cover earth wiring accessories.

07 451	75	Galvanised	8
07 452	100	Galvanised	6
07 453	150	Galvanised	4
07 454	200	Galvanised	4
07 455	300	Galvanised	2
07 456	400	Galvanised	2
07 457	500	Galvanised	2
07 461	75	RAL 7032 grey	8
07 462	100	RAL 7032 grey	6
07 463	150	RAL 7032 grey	4
07 464	200	RAL 7032 grey	4
07 465	300	RAL 7032 grey	2
08 561	75	Bright blue	8
08 562	100	Bright blue	6
08 563	150	Bright blue	4
08 564	200	Bright blue	4
08 565	300	Bright blue	2

### 90° vertical outside riser without cover

17 451	75	Galvanised	8
17 452	100	Galvanised	6
17 453	150	Galvanised	4
17 454	200	Galvanised	4
17 455	300	Galvanised	2
17 456	400	Galvanised	2
17 457	500	Galvanised	2

### Cover for 90° vertical outside riser

06 511	75	Galvanised	8
06 512	100	Galvanised	6
06 513	150	Galvanised	4
06 514	200	Galvanised	4
06 515	300	Galvanised	2
06 516	400	Galvanised	2
06 517	500	Galvanised	2



# Industrial metal trunkings

## Sendzimir trunkings H 75



Article	For trunking base (mm)	Colour	Unit/pack-pieces
---------	------------------------	--------	------------------

### 45° vertical outside riser complete with cover

Complete with cover earth wiring accessories.

07 471	75	Galvanised	8
07 472	100	Galvanised	6
07 473	150	Galvanised	4
07 474	200	Galvanised	4
07 475	300	Galvanised	2
07 476	400	Galvanised	2
07 477	500	Galvanised	2
07 481	75	RAL 7032 grey	8
07 482	100	RAL 7032 grey	6
07 483	150	RAL 7032 grey	4
07 484	200	RAL 7032 grey	4
07 485	300	RAL 7032 grey	2
08 571	75	Bright blue	8
08 572	100	Bright blue	6
08 573	150	Bright blue	4
08 574	200	Bright blue	4
08 575	300	Bright blue	2

### 45° vertical outside riser without cover

17 471	75	Galvanised	8
17 472	100	Galvanised	6
17 473	150	Galvanised	4
17 474	200	Galvanised	4
17 475	300	Galvanised	2
17 476	400	Galvanised	2
17 477	500	Galvanised	2

### Cover for 45° vertical outside riser

06 531	75	Galvanised	8
06 532	100	Galvanised	6
06 533	150	Galvanised	4
06 534	200	Galvanised	4
06 535	300	Galvanised	2
06 536	400	Galvanised	2
06 537	500	Galvanised	2

# Industrial metal trunkings

## Sendzimir trunkings H 75



FLCM9031



FLCM9039

Article	For trunking base (mm)	Colour	Unit/pack-pieces
---------	------------------------	--------	------------------

### End cap

07 571	75	Galvanised	4
07 572	100	Galvanised	4
07 573	150	Galvanised	4
07 574	200	Galvanised	4
07 575	300	Galvanised	4
07 576	400	Galvanised	4
07 577	500	Galvanised	4
07 581	75	RAL 7032 grey	4
07 582	100	RAL 7032 grey	4
07 583	150	RAL 7032 grey	4
07 584	200	RAL 7032 grey	4
07 585	300	RAL 7032 grey	4
08 701	75	Bright blue	4
08 702	100	Bright blue	4
08 703	150	Bright blue	4
08 704	200	Bright blue	4
08 705	300	Bright blue	4

### Left 90° vertical outside riser complete with cover

Complete with cover earth wiring accessories.

07 591	75	Galvanised	4
07 592	100	Galvanised	3
07 593	150	Galvanised	2
07 594	200	Galvanised	2
07 595	300	Galvanised	2
07 596	400	Galvanised	1
07 597	500	Galvanised	1
07 601	75	RAL 7032 grey	4
07 602	100	RAL 7032 grey	3
07 603	150	RAL 7032 grey	2
07 604	200	RAL 7032 grey	2
07 605	300	RAL 7032 grey	2
08 611	75	Bright blue	4
08 612	100	Bright blue	3
08 613	150	Bright blue	2
08 614	200	Bright blue	2
08 615	300	Bright blue	2

# Sendzimir trunkings

## Sendzimir trunkings H 75



Article	For trunking base (mm)	Colour	Unit/pack-pieces
---------	------------------------	--------	------------------

### Right 90° vertical outside riser complete with cover

Complete with cover earth wiring accessories.

07 611	75	Galvanised	4
07 612	100	Galvanised	3
07 613	150	Galvanised	2
07 614	200	Galvanised	2
07 615	300	Galvanised	2
07 616	400	Galvanised	1
07 617	500	Galvanised	1
07 621	75	RAL 7032 grey	4
07 622	100	RAL 7032 grey	3
07 623	150	RAL 7032 grey	2
07 624	200	RAL 7032 grey	2
07 625	300	RAL 7032 grey	2
08 621	75	Bright blue	4
08 622	100	Bright blue	3
08 623	150	Bright blue	2
08 624	200	Bright blue	2
08 625	300	Bright blue	2



### Vertical tee branch connection without level gradient complete with cover

Complete with cover earth wiring accessories.

07 651	75	Galvanised	4
07 652	100	Galvanised	3
07 653	150	Galvanised	2
07 654	200	Galvanised	2
07 655	300	Galvanised	2
07 656	400	Galvanised	1
07 657	500	Galvanised	1
07 661	75	RAL 7032 grey	4
07 662	100	RAL 7032 grey	3
07 663	150	RAL 7032 grey	2
07 664	200	RAL 7032 grey	2
07 665	300	RAL 7032 grey	2
08 631	75	Bright blue	4
08 632	100	Bright blue	3
08 633	150	Bright blue	2
08 634	200	Bright blue	2
08 635	300	Bright blue	2

# Industrial metal trunkings

## Sendzimir trunkings H 75



FLCM0338



FLCM038-1

Article	For trunking base (mm)	Colour	Unit/pack-pieces
---------	------------------------	--------	------------------

### Vertical tee branch connection with level gradient complete with cover

Complete with cover earth wiring accessories.

07 691	75	Galvanised	4
07 692	100	Galvanised	3
07 693	150	Galvanised	2
07 694	200	Galvanised	2
07 695	300	Galvanised	2
07 696	400	Galvanised	1
07 697	500	Galvanised	1
07 701	75	RAL 7032 grey	4
07 702	100	RAL 7032 grey	3
07 703	150	RAL 7032 grey	2
07 704	200	RAL 7032 grey	2
07 705	300	RAL 7032 grey	2
08 641	75	Bright blue	4
08 642	100	Bright blue	3
08 643	150	Bright blue	2
08 644	200	Bright blue	2
08 645	300	Bright blue	2

### Vertical tee branch connection with reducer and level gradient complete with cover

Complete with cover earth wiring accessories.

07 630	100/75	Galvanised	3
07 631	150/75	Galvanised	2
07 632	150/100	Galvanised	2
07 633	200/75	Galvanised	2
07 634	200/100	Galvanised	2
07 635	200/150	Galvanised	2
07 636	300/75	Galvanised	2
07 637	300/100	Galvanised	2
07 638	300/150	Galvanised	2
07 639	300/200	Galvanised	2
07 640	100/75	RAL 7032 grey	3
07 641	150/75	RAL 7032 grey	2
07 642	150/100	RAL 7032 grey	2
07 643	200/75	RAL 7032 grey	2
07 644	200/100	RAL 7032 grey	2
07 645	200/150	RAL 7032 grey	2
07 646	300/75	RAL 7032 grey	2
07 647	300/100	RAL 7032 grey	2
07 648	300/150	RAL 7032 grey	2
07 649	300/200	RAL 7032 grey	2
08 650	100/75	Bright blue	3
08 651	150/75	Bright blue	2
08 652	150/100	Bright blue	2
08 653	200/75	Bright blue	2
08 654	200/100	Bright blue	2
08 655	200/150	Bright blue	2
08 656	300/75	Bright blue	2
08 657	300/100	Bright blue	2
08 658	300/150	Bright blue	2
08 659	300/200	Bright blue	2

# Industrial metal trunkings

## Sendzimir trunkings H 75



Article	For trunking base (mm)	Colour	Unit/pack-pieces
---------	------------------------	--------	------------------

### Concentric reducer complete with cover

Complete with cover earth wiring accessories.

07 512	100/75	Galvanised	6
07 513	150/75	Galvanised	6
07 514	150/100	Galvanised	6
07 516	200/75	Galvanised	3
07 517	200/100	Galvanised	3
07 518	200/150	Galvanised	3
07 519	300/200	Galvanised	3
07 520	400/300	Galvanised	2
07 521	500/400	Galvanised	2
07 522	100/75	RAL 7032 grey	6
07 523	150/75	RAL 7032 grey	6
07 524	150/100	RAL 7032 grey	6
07 526	200/75	RAL 7032 grey	3
07 527	200/100	RAL 7032 grey	3
07 528	200/150	RAL 7032 grey	3
07 529	300/200	RAL 7032 grey	3
08 581	100/75	Bright blue	6
08 582	150/75	Bright blue	6
08 583	150/100	Bright blue	6
08 584	200/75	Bright blue	3
08 585	200/100	Bright blue	3
08 586	200/150	Bright blue	3
08 587	300/200	Bright blue	3

### Concentric reducer without cover

17 512	100/75	Galvanised	6
17 513	150/75	Galvanised	6
17 514	150/100	Galvanised	6
17 516	200/75	Galvanised	3
17 517	200/100	Galvanised	3
17 518	200/150	Galvanised	3
17 519	300/200	Galvanised	3
17 520	400/300	Galvanised	2
17 521	500/400	Galvanised	2

### Cover for concentric reducer

27 512	100/75	Galvanised	
27 513	150/75	Galvanised	
27 514	150/100	Galvanised	
27 516	200/75	Galvanised	
27 517	200/100	Galvanised	
27 518	200/150	Galvanised	
27 519	300/200	Galvanised	
27 520	400/300	Galvanised	
27 521	500/400	Galvanised	

# Industrial metal trunkings

## Sendzimir trunkings H 75



Article	For trunking base (mm)	Colour	Unit/pack-pieces
---------	------------------------	--------	------------------

### Left reducer complete with cover

Complete with cover earth wiring accessories.

07 532	100/75	Galvanised	6
07 533	150/75	Galvanised	6
07 534	150/100	Galvanised	6
07 536	200/75	Galvanised	3
07 537	200/100	Galvanised	3
07 538	200/150	Galvanised	3
07 539	300/200	Galvanised	3
07 540	400/300	Galvanised	2
07 541	500/400	Galvanised	2
07 542	100/75	RAL 7032 grey	6
07 543	150/75	RAL 7032 grey	6
07 544	150/100	RAL 7032 grey	6
07 546	200/75	RAL 7032 grey	3
07 547	200/100	RAL 7032 grey	3
07 548	200/150	RAL 7032 grey	3
07 549	300/200	RAL 7032 grey	3
08 591	100/75	Bright blue	6
08 592	150/75	Bright blue	6
08 593	150/100	Bright blue	6
08 594	200/75	Bright blue	3
08 595	200/100	Bright blue	3
08 596	200/150	Bright blue	3
08 597	300/200	Bright blue	3

### Left reducer without cover

17 532	100/75	Galvanised	6
17 533	150/75	Galvanised	6
17 534	150/100	Galvanised	6
17 536	200/75	Galvanised	3
17 537	200/100	Galvanised	3
17 538	200/150	Galvanised	3
17 539	300/200	Galvanised	3
17 540	400/300	Galvanised	2
17 541	500/400	Galvanised	2

### Cover for left reducer

27 532	100/75	Galvanised	
27 533	150/75	Galvanised	
27 534	150/100	Galvanised	
27 536	200/75	Galvanised	
27 537	200/100	Galvanised	
27 538	200/150	Galvanised	
27 539	300/200	Galvanised	
27 540	400/300	Galvanised	
27 541	500/400	Galvanised	

# Industrial metal trunkings

## Sendzimir trunkings H 75



FLCM9014-1



FLCM9014



FLCM9014-2

Article	For trunking base (mm)	Colour	Unit/pack-pieces
---------	------------------------	--------	------------------

### Right reducer complete with cover

07 552	100/75	Galvanised	6
07 553	150/75	Galvanised	6
07 554	150/100	Galvanised	6
07 556	200/75	Galvanised	3
07 557	200/100	Galvanised	3
07 558	200/150	Galvanised	3
07 559	300/200	Galvanised	3
07 560	400/300	Galvanised	2
07 561	500/400	Galvanised	2
07 562	100/75	RAL 7032 grey	6
07 563	150/75	RAL 7032 grey	6
07 564	150/100	RAL 7032 grey	6
07 566	200/75	RAL 7032 grey	3
07 567	200/100	RAL 7032 grey	3
07 568	200/150	RAL 7032 grey	3
07 569	300/200	RAL 7032 grey	3
08 601	100/75	Bright blue	6
08 602	150/75	Bright blue	6
08 603	150/100	Bright blue	6
08 604	200/75	Bright blue	3
08 605	200/100	Bright blue	3
08 606	200/150	Bright blue	3
08 607	300/200	Bright blue	3

### Right reducer without cover

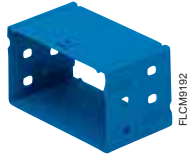
17 552	100/75	Galvanised	6
17 553	150/75	Galvanised	6
17 554	150/100	Galvanised	6
17 556	200/75	Galvanised	3
17 557	200/100	Galvanised	3
17 558	200/150	Galvanised	3
17 559	300/200	Galvanised	3
17 560	400/300	Galvanised	2
17 561	500/400	Galvanised	2

### Cover for right reducer

27 552	100/75	Galvanised	6
27 553	150/75	Galvanised	6
27 554	150/100	Galvanised	6
27 556	200/75	Galvanised	3
27 557	200/100	Galvanised	3
27 558	200/150	Galvanised	3
27 559	300/200	Galvanised	3
27 560	400/300	Galvanised	2
27 561	500/400	Galvanised	2

# Industrial metal trunkings

## Sendzimir trunkings H 75



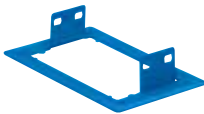
FLCWB192

Article	For trunking base (mm)	Colour	Unit/pack-pieces
---------	------------------------	--------	------------------

### Straight inversion elements

Complete with cover earth wiring accessories.

07 731	75	Galvanised	24
07 732	100	Galvanised	24
07 733	150	Galvanised	12
07 734	200	Galvanised	12
07 735	300	Galvanised	6
07 736	400	Galvanised	4
07 737	500	Galvanised	4
07 741	75	RAL 7032 grey	24
07 742	100	RAL 7032 grey	24
07 743	150	RAL 7032 grey	12
07 744	200	RAL 7032 grey	12
07 745	300	RAL 7032 grey	6
08 711	75	Bright blue	24
08 712	100	Bright blue	24
08 713	150	Bright blue	12
08 714	200	Bright blue	12
08 715	300	Bright blue	6



FLCWB125

### Coupler flange for fastening to switchboard

07 791	75	Galvanised	4
07 792	100	Galvanised	4
07 793	150	Galvanised	4
07 794	200	Galvanised	4
07 795	300	Galvanised	4
07 796	400	Galvanised	4
07 797	500	Galvanised	4
07 801	75	RAL 7032 grey	4
07 802	100	RAL 7032 grey	4
07 803	150	RAL 7032 grey	4
07 804	200	RAL 7032 grey	4
07 805	300	RAL 7032 grey	4
08 741	75	Bright blue	4
08 742	100	Bright blue	4
08 743	150	Bright blue	4
08 744	200	Bright blue	4
08 745	300	Bright blue	4



# Industrial metal trunkings

## Sendzimir trunkings H 75



Article	For trunking base (mm)	Colour	Unit/pack-pieces
---------	------------------------	--------	------------------

### Wall flange

07 811	75	Galvanised	4
07 812	100	Galvanised	4
07 813	150	Galvanised	4
07 814	200	Galvanised	4
07 815	300	Galvanised	4
07 816	400	Galvanised	4
07 817	500	Galvanised	4
07 821	75	RAL 7032 grey	4
07 822	100	RAL 7032 grey	4
07 823	150	RAL 7032 grey	4
07 824	200	RAL 7032 grey	4
07 825	300	RAL 7032 grey	4
08 751	75	Bright blue	4
08 752	100	Bright blue	4
08 753	150	Bright blue	4
08 754	200	Bright blue	4
08 755	300	Bright blue	4

### Mechanical integral joint

Guarantees electric continuity. Complete with screws and nuts.  
Width 80 mm.

07 831	75	Galvanised	48
07 832	100	Galvanised	48
07 833	150	Galvanised	36
07 834	200	Galvanised	24
07 835	300	Galvanised	24
07 836	400	Galvanised	8
07 837	500	Galvanised	8

# Industrial metal trunkings

## Sendzimir trunkings H 75



Article	For trunking base (mm)	Colour	Unit/pack-pieces
---------	------------------------	--------	------------------

### Retainer for integral joints

Snaps onto integral joint.  
Width 48 mm.

07 838	75	Galvanised	48
07 839	100	Galvanised	48
07 840	150	Galvanised	36
07 842	200	Galvanised	24
07 844	300	Galvanised	24
07 846	400	Galvanised	8
07 847	500	Galvanised	8

Article	Description	Colour	Unit/pack-pieces
---------	-------------	--------	------------------

### Mechanical joint

Guarantees electric continuity. Every joint is supplied with 2 plates complete with screws and nuts.

07 829	width 80 mm	Galvanised	50
--------	-------------	------------	----

### Vertical joint fixed at 90°

Every joint is supplied with 2 plates complete with screws and nuts.

07 841		Galvanised	25
--------	--	------------	----

### Vertical adjustable joint

Every joint is supplied with 2 plates complete with screws and nuts.

07 843		Galvanised	10
--------	--	------------	----

# Industrial metal trunkings

## Sendzimir trunkings H 75



Article	For reducers (mm)	Colour	Unit/pack-pieces
---------	-------------------	--------	------------------

### Coupler for left reducer

07 750	50	Galvanised	4
07 752	100	Galvanised	4
07 753	150	Galvanised	4
07 754	200	Galvanised	4
07 760	50	RAL 7032 grey	4
07 762	100	RAL 7032 grey	4
07 763	150	RAL 7032 grey	4
07 764	200	RAL 7032 grey	4
08 721	50	Bright blue	4
08 722	100	Bright blue	4
08 723	150	Bright blue	4
08 724	200	Bright blue	4

### Coupler for right reducer

07 770	50	Galvanised	4
07 772	100	Galvanised	4
07 773	150	Galvanised	4
07 774	200	Galvanised	4
07 780	50	RAL 7032 grey	4
07 782	100	RAL 7032 grey	4
07 783	150	RAL 7032 grey	4
07 784	200	RAL 7032 grey	4
08 731	50	Bright blue	4
08 732	100	Bright blue	4
08 733	150	Bright blue	4
08 734	200	Bright blue	4

# Industrial metal trunkings

## Sendzimir trunkings H 75



Article	For trunking base (mm)	Colour	Unit/pack-pieces
---------	------------------------	--------	------------------

### Joint IP44

Must be used with every joint. Complete with all the elements required for mounting (see page 13/22).

07 866	75	Galvanised	12
07 867	100	Galvanised	12
07 868	150	Galvanised	12
07 869	200	Galvanised	8
07 870	300	Galvanised	8
07 998	400	Galvanised	4
07 999	500	Galvanised	4
07 861	75	RAL 7032 grey	12
07 862	100	RAL 7032 grey	12
07 863	150	RAL 7032 grey	12
07 864	200	RAL 7032 grey	8
07 865	300	RAL 7032 grey	8
08 761	75	Bright blue	12
08 762	100	Bright blue	12
08 763	150	Bright blue	12
08 764	200	Bright blue	8
08 765	300	Bright blue	8



Article	Description	Unit/pack-pieces
---------	-------------	------------------

### Clip

07 890		20
--------	--	----

Fixed between the cover and the trunking to increase the pressure of the seal and to obtain IP44 (one clip every metre) degree of protection

# Industrial metal trunkings

## Sendzimir trunkings H 75



FLCM9125



FLCM9126

Article	For trunking base (mm)	Colour	Unit/pack-pieces
---------	------------------------	--------	------------------

### Coupler flange for fastening to IP44 switchboards

07 430	75	Galvanised	24
07 431	100	Galvanised	4
07 432	150	Galvanised	4
07 433	200	Galvanised	4
07 434	300	Galvanised	4
07 435	400	Galvanised	4
07 436	500	Galvanised	4
07 440	75	RAL 7032 grey	24
07 441	100	RAL 7032 grey	24
07 442	150	RAL 7032 grey	4
07 443	200	RAL 7032 grey	4
07 444	300	RAL 7032 grey	4
08 746	75	Bright blue	24
08 747	100	Bright blue	24
08 748	150	Bright blue	4
08 749	200	Bright blue	4
08 750	300	Bright blue	4

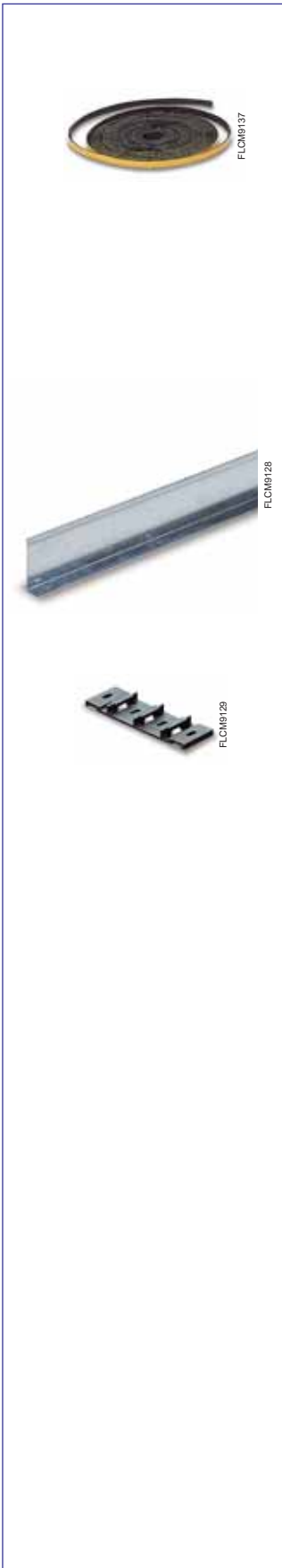
### End cap IP44

Complete with all elements required for mounting.

07 886	75	Galvanised	4
07 887	100	Galvanised	4
07 889	150	Galvanised	4
07 896	200	Galvanised	4
07 897	300	Galvanised	4
07 898	400	Galvanised	4
07 899	500	Galvanised	4
07 881	75	RAL 7032 grey	4
07 882	100	RAL 7032 grey	4
07 883	150	RAL 7032 grey	4
07 884	200	RAL 7032 grey	4
07 885	300	RAL 7032 grey	4
08 781	75	Bright blue	4
08 782	100	Bright blue	4
08 783	150	Bright blue	4
08 784	200	Bright blue	4
08 785	300	Bright blue	4

# Industrial metal trunkings

## Sendzimir trunkings H 75



Article	Material	Unit/pack-metres
---------	----------	------------------

### Self-adhesive seal

07 888	Neoprene	20
To attach onto the trunking cover and accessories cover (dim. 2x7 mm).		

Article	Material (mm)	Length (mm)	Unit/pack-metres
---------	---------------	-------------	------------------

### Divider

44 040	Plastic *	2000	52
07 855	Galvanised metal **	2000	20

\* Snaps on using art. 07 852

\*\* Fastens onto the base of the trunking using screws or adhesive

### Fastening element

For plastic dividers and cable ties.

07 852	Techno-polymer	20
Fastens onto the base of trunking or cable trays with 2 screws		

# Industrial metal trunkings

## Sendzimir trunkings H 75



FLCM9130

Article	Description	Unit/pack-pieces
---------	-------------	------------------

### Branch connection coupler

Complete with seal for IP44 degree of protection.

07 845

10

For installing consumer units or boxes to the base of trunkings

Article	Dimensions WxHxP (mm)	Colour	Unit/pack-pieces
---------	-----------------------	--------	------------------

### Metal branch connection box IP55

07 857	200x200x120	RAL 7032 grey	1
07 858	300x300x120	RAL 7032 grey	1
07 859	400x400x120	RAL 7032 grey	1
07 860	600x600x120	RAL 7032 grey	1
08 791	200x200x120	Bright blue	1
08 792	300x300x120	Bright blue	1
08 793	400x400x120	Bright blue	1
08 794	600x600x120	Bright blue	1



FLCM9131

Article	Description	Colour	Unit/pack-pieces
---------	-------------	--------	------------------

### Inner panel

07 755	For boxes IP55	200x200x120 mm	Galvanised	4
07 756	For boxes IP55	300x300x120 mm	Galvanised	4
07 757	For boxes IP55	400x400x120 mm	Galvanised	4
07 758	For boxes IP55	600x600x120 mm	Galvanised	4



FLCM9132

# Industrial metal trunkings

## Sendzimir trunkings H 75



Article	Type	For boxes dimensions WxHxP (mm)	Unit/pack-pieces
---------	------	---------------------------------	------------------

### Galvanised DIN rails for branch connection boxes

07 765	Symmetrical	200x200x120	10
07 766	Symmetrical	300x300x120	10
07 767	Symmetrical	400x400x120	10
07 768	Symmetrical	600x600x120	10
07 775	Asymmetrical	200x200x120	10
07 776	Asymmetrical	300x300x120	10
07 777	Asymmetrical	400x400x120	10
07 778	Asymmetrical	600x600x120	10

Article	Description	Unit/pack-pieces
---------	-------------	------------------

### Screw and nut

07 848	Round-headed M6x10 screw with nut	100
--------	-----------------------------------	-----

### Earth staple

07 850	Staple complete with 2 M6x10 screws	50
--------	-------------------------------------	----

### Hinges

07 779	To hinge the cover of branch connection boxes	20
--------	---	----

Article	Colour	Unit/pack (kg)
---------	--------	----------------

### Paints

07 856	RAL 7032 grey	0,5
08 799	Bright blue	0,5
06 095	Bianco RAL 9016	0,25





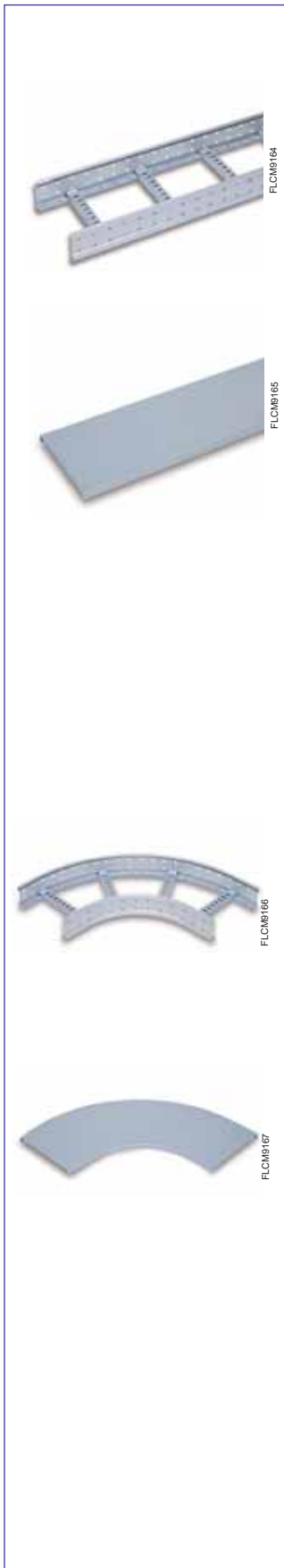
## Technical details

- produced in EN 10111 DD11 MAC carbon steel hot dip galvanised after production in compliance with UNI E 14.07.000.0 Standard project complying with CEI 7-6 Standard and BS 729
- standard length 3 metres
- standard height 60 mm
- standard thickness 1.5 mm and, on request, also available in 2 mm thickness
- **retainer interaxis 300 mm**
- the profile is moulded in a special way to make the cable ladder strong and resistant to bending and twisting
- all corners and branch connections have a wide curving angle (standard 300 mm)
- product manufactured on automatic CNC (Computerised Numeric Control) profiling plant; components welded by a robot system
- products are easy to mount, practical and safe and cables are well ventilated
- special versions of cable ladders can be supplied on request
- industrial application



# Industrial metal trunkings

## Cable ladders H 60



Article	Cable ladder base (mm)	Length (mm)	Unit/pack-metres
---------	------------------------	-------------	------------------

### Cable ladder

09 400	100	3000	3
09 401	200	3000	3
09 402	300	3000	3
09 403	400	3000	3
09 404	500	3000	3
09 405	600	3000	3

### Snap-on cover

09 430	100	1500	3
09 431	200	1500	3
09 432	300	1500	3
09 433	400	1500	3
09 434	500	1500	3
09 435	600	1500	3

Article	For cable ladder base (mm)	Unit/pack-pieces
---------	----------------------------	------------------

### 90° flat corner

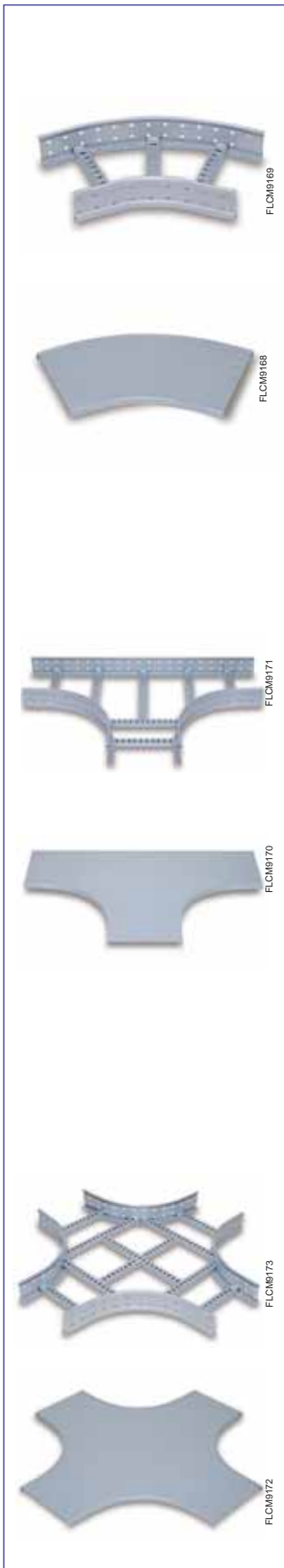
Base			
09 440	100		1
09 441	200		1
09 442	300		1
09 443	400		1
09 444	500		1
09 445	600		1

Cover			
09 470	100		1
09 471	200		1
09 472	300		1
09 473	400		1
09 474	500		1
09 475	600		1

9

# Industrial metal trunkings

## Cable ladders H 60



Article	For cable ladder base (mm)	Unit/pack-pieces
---------	----------------------------	------------------

### 45° flat corner

#### Base

09 480	100	1
09 481	200	1
09 482	300	1
09 483	400	1
09 484	500	1
09 485	600	1

#### Cover

09 510	100	1
09 511	200	1
09 512	300	1
09 513	400	1
09 514	500	1
09 515	600	1

### Flat tee

#### Base

09 520	100	1
09 521	200	1
09 522	300	1
09 523	400	1
09 524	500	1
09 525	600	1

#### Cover

09 550	100	1
09 551	200	1
09 552	300	1
09 553	400	1
09 554	500	1
09 555	600	1

### Flat cross

#### Base

09 560	100	1
09 561	200	1
09 562	300	1
09 563	400	1
09 564	500	1
09 565	600	1

#### Cover

09 590	100	1
09 591	200	1
09 592	300	1
09 593	400	1
09 594	500	1
09 595	600	1

# Industrial metal trunkings

## Cable ladders H 60



Article	For cable ladder base (mm)	Unit/pack-pieces
---------	----------------------------	------------------

### Vertical inside and outside riser adjustable from 0° to 90°

09 600	100	1
09 601	200	1
09 602	300	1
09 603	400	1
09 604	500	1
09 605	600	1

Use straight covers for covering

### 90° vertical inside riser

Base		
09 962	100	1
09 963	200	1
09 964	300	1
09 965	400	1
09 966	500	1
09 967	600	1

Cover		
09 920	100	1
09 921	200	1
09 922	300	1
09 923	400	1
09 924	500	1
09 925	600	1

### 90° vertical outside riser

Base		
09 980	100	1
09 981	200	1
09 982	300	1
09 983	400	1
09 984	500	1
09 985	600	1

Cover		
09 941	100	1
09 942	200	1
09 943	300	1
09 944	400	1
09 945	500	1
09 946	600	1

# Industrial metal trunkings

## Cable ladders H 60



Article	For cable ladder base (mm)	Unit/pack-pieces
---------	----------------------------	------------------

### Concentric reducer

#### Base

09 640	200/100	1
09 641	300/100	1
09 642	300/200	1
09 643	400/200	1
09 644	400/300	1
09 645	500/300	1
09 646	500/400	1
09 647	600/400	1
09 648	600/500	1

#### Cover

09 670	200/100	1
09 671	300/100	1
09 672	300/200	1
09 673	400/200	1
09 674	400/300	1
09 675	500/300	1
09 676	500/400	1
09 677	600/400	1
09 678	600/500	1

### Left reducer

#### Base

09 680	200/100	1
09 681	300/100	1
09 682	300/200	1
09 683	400/200	1
09 684	400/300	1
09 685	500/300	1
09 686	500/400	1
09 687	600/400	1
09 688	600/500	1

#### Cover

09 710	200/100	1
09 711	300/100	1
09 712	300/200	1
09 713	400/200	1
09 714	400/300	1
09 715	500/300	1
09 716	500/400	1
09 717	600/400	1
09 718	600/500	1

# Industrial metal trunkings

## Cable ladders H 60



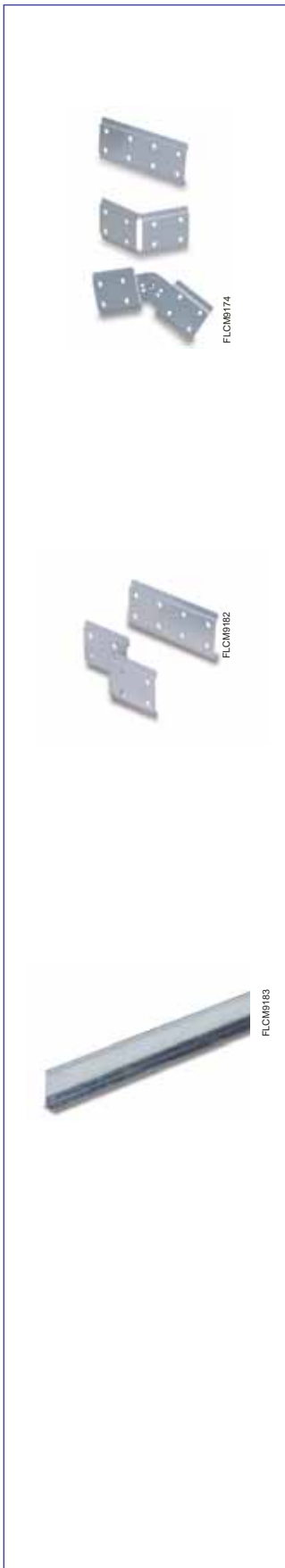
Article	For cable ladder base (mm)	Unit/pack-pieces
---------	----------------------------	------------------

### Right reducer

Base		
09 720	200/100	1
09 721	300/100	1
09 722	300/200	1
09 723	400/200	1
09 724	400/300	1
09 725	500/300	1
09 726	500/400	1
09 727	600/400	1
09 728	600/500	1
Cover		
09 750	200/100	1
09 751	300/100	1
09 752	300/200	1
09 753	400/200	1
09 754	400/300	1
09 755	500/300	1
09 756	500/400	1
09 757	600/400	1
09 758	600/500	1

# Industrial metal trunkings

## Cable ladders H 60



Article	Description	Unit/pack-pieces
---------	-------------	------------------

### Mechanical joint

Includes 2 plates complete with screws and nuts.

09 760	Straight joint	1/20
09 761	Horizontal adjustable joint	1/20
09 762	Vertical adjustable joint	1/10

Article	For reductions of (mm)	Unit/pack-pieces
---------	------------------------	------------------

### Couplers for left and right reduction

09 800	50	1
09 801	100	1
09 802	200	1

Article	Length (mm)	Unit/pack-metres
---------	-------------	------------------

### Metal divider

09 900	2000	2/10
--------	------	------

# Industrial metal trunkings

## Cable ladders H 60



Article	Description	Unit/pack-pieces
---------	-------------	------------------

### Square and cover spacer

09 903	Spacer for cover H 50 mm	1/20
09 904	Square for fastening brackets – inner	1/50
09 905	Square for fastening brackets – outer	1/50

### Fastening components

07 848	Round-headed M6x10 screw with nut	100
07 818	Hexagonal-headed M8x16 screw with nut	100
07 819	Hexagonal-headed M10x20 screw with nut	100

For fastening squares and spacers and for earth connections.

Article	Length (mm)	Unit/pack-metres
---------	-------------	------------------

### Earth cable

09 906	Cable with 4mm <sup>2</sup> section	20
--------	-------------------------------------	----





## Technical details

- produced in EN 10111 DD11 MAC carbon steel hot dip galvanised after production in compliance with UNI E 14.07.000.0 Standard project complying with CEI 7-6 Standard and BS 729
- standard length 3 metres
- standard height 100 mm
- standard thickness 1.5 mm and, on request, also available in 2 mm thickness
- **retainer interaxis 300 mm**
- the profile is moulded in a special way to make the cable ladder strong and resistant to bending and twisting
- all corners and branch connections have a wide curving angle (standard 300 mm)
- products manufactured on automatic CNC (Computerised Numeric Control) profiling plant; components welded by a robot system
- products are easy to mount, practical and safe and cables are well ventilated
- special versions of cable ladders can be supplied on request
- industrial application

# Industrial metal trunkings

## Cable ladders H 100



Article	For cable ladder base (mm)	Length (mm)	Unit/pack-metres
---------	----------------------------	-------------	------------------

### Cable ladder

09 410	100	3000	3
09 411	200	3000	3
09 412	300	3000	3
09 413	400	3000	3
09 414	500	3000	3
09 415	600	3000	3

### Snap-on cover

09 430	100	1500	3
09 431	200	1500	3
09 432	300	1500	3
09 433	400	1500	3
09 434	500	1500	3
09 435	600	1500	3

Article	For cable ladder base (mm)	Unit/pack-pieces
---------	----------------------------	------------------

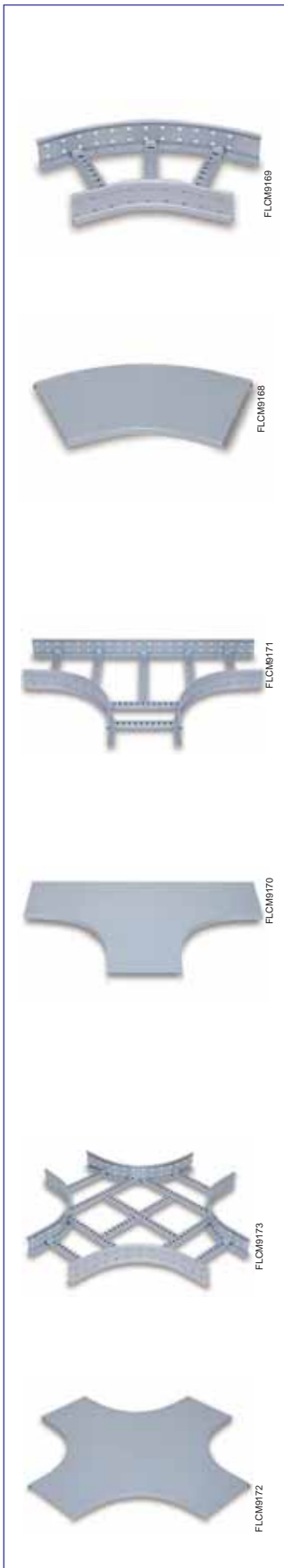
### 90° flat corner

Base		
09 450	100	1
09 451	200	1
09 452	300	1
09 453	400	1
09 454	500	1
09 455	600	1

Cover		
09 470	100	1
09 471	200	1
09 472	300	1
09 473	400	1
09 474	500	1
09 475	600	1

# Industrial metal trunkings

## Cable ladders H 100



Article	For cable ladder base (mm)	Unit/pack-pieces
---------	----------------------------	------------------

### 45° flat corner

Base		
09 490	100	1
09 491	200	1
09 492	300	1
09 493	400	1
09 494	500	1
09 495	600	1

Cover		
09 510	100	1
09 511	200	1
09 512	300	1
09 513	400	1
09 514	500	1
09 515	600	1

### Flat tee

Base		
09 530	100	1
09 531	200	1
09 532	300	1
09 533	400	1
09 534	500	1
09 535	600	1

Cover		
09 550	100	1
09 551	200	1
09 552	300	1
09 553	400	1
09 554	500	1
09 555	600	1

### Flat cross

Base		
09 570	100	1
09 571	200	1
09 572	300	1
09 573	400	1
09 574	500	1
09 575	600	1

Cover		
09 590	100	1
09 591	200	1
09 592	300	1
09 593	400	1
09 594	500	1
09 595	600	1

# Industrial metal trunkings

## Cable ladders H 100



Article	For cable ladder base (mm)	Unit/pack-pieces
---------	----------------------------	------------------

### Vertical inside and outside riser adjustable from 0° to 90°

09 610	100	1
09 611	200	1
09 612	300	1
09 613	400	1
09 614	500	1
09 615	600	1

Use straight covers for covering

### 90° vertical inside riser

Base		
09 968	100	1
09 969	200	1
09 970	300	1
09 971	400	1
09 972	500	1
09 973	600	1

Cover		
09 927	100	1
09 928	200	1
09 929	300	1
09 930	400	1
09 931	500	1
09 932	600	1

### 90° vertical outside riser

Base		
09 986	100	1
09 987	200	1
09 988	300	1
09 989	400	1
09 990	500	1
09 991	600	1

Cover		
09 948	100	1
09 949	200	1
09 950	300	1
09 951	400	1
09 952	500	1
09 953	600	1

# Industrial metal trunkings

## Cable ladders H 100



Article	For cable ladder base (mm)	Unit/pack-pieces
---------	----------------------------	------------------

### Concentric reducer

Base		
09 650	200/100	1
09 651	300/100	1
09 652	300/200	1
09 653	400/200	1
09 654	400/300	1
09 655	500/300	1
09 656	500/400	1
09 657	600/400	1
09 658	600/500	1

Cover		
09 670	200/100	1
09 671	300/100	1
09 672	300/200	1
09 673	400/200	1
09 674	400/300	1
09 675	500/300	1
09 676	500/400	1
09 677	600/400	1
09 678	600/500	1

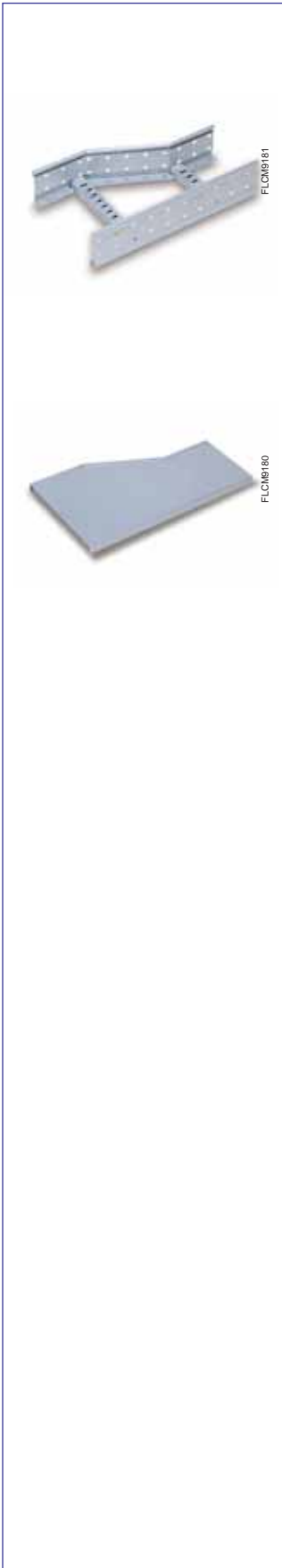
### Left reducer

Base		
09 690	200/100	1
09 691	300/100	1
09 692	300/200	1
09 693	400/200	1
09 694	400/300	1
09 695	500/300	1
09 696	500/400	1
09 697	600/400	1
09 698	600/500	1

Cover		
09 710	200/100	1
09 711	300/100	1
09 712	300/200	1
09 713	400/200	1
09 714	400/300	1
09 715	500/300	1
09 716	500/400	1
09 717	600/400	1
09 718	600/500	1

# Industrial metal trunkings

## Cable ladders H 100



Article	For cable ladder base (mm)	Unit/pack-pieces
---------	----------------------------	------------------

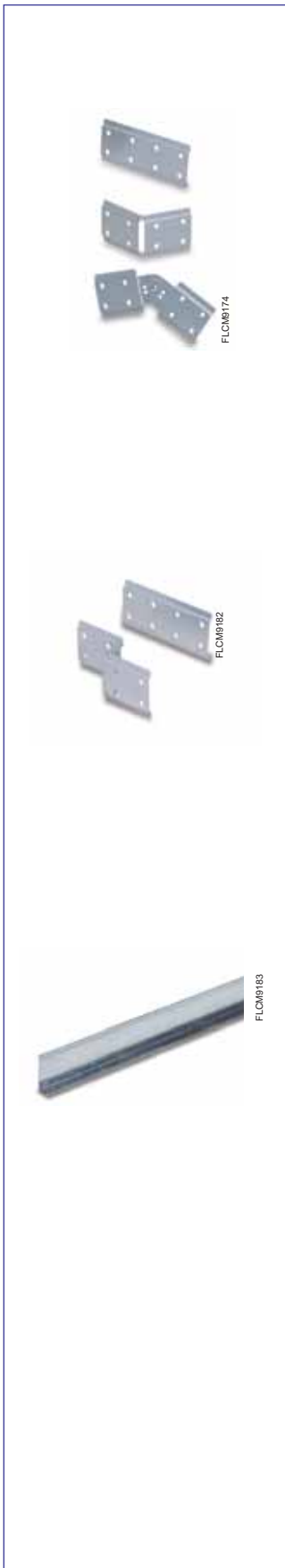
### Right reducer

Base		
09 730	200/100	1
09 731	300/100	1
09 732	300/200	1
09 733	400/200	1
09 734	400/300	1
09 735	500/300	1
09 736	500/400	1
09 737	600/400	1
09 738	600/500	1

Cover		
09 750	200/100	1
09 751	300/100	1
09 752	300/200	1
09 753	400/200	1
09 754	400/300	1
09 755	500/300	1
09 756	500/400	1
09 757	600/400	1
09 758	600/500	1

# Industrial metal trunkings

## Cable ladders H 100



Article	Description	Unit/pack-pieces
---------	-------------	------------------

### Mechanical joint

Includes 2 plates complete with screws and nuts.

09 763	Straight joint	1/20
09 764	Horizontal adjustable joint	1/20
09 765	Vertical adjustable joint	1/10

Article	For reductions of (mm)	Unit/pack-pieces
---------	------------------------	------------------

### Couplers for left and right reduction

09 803	50	1
09 804	100	1
09 805	200	1

Article	Length (mm)	Unit/pack-metres
---------	-------------	------------------

### Metal divider

09 901	2000	2/10
--------	------	------

# Industrial metal trunkings

## Cable ladders H 100



Article	Description	Unit/pack-pieces
---------	-------------	------------------

### Square and cover spacer

09 903	Spacer for cover H 50 mm	1/20
09 904	Square for fastening brackets – inner	1/50
09 905	Square for fastening brackets – outer	1/50

### Fastening components

07 848	Round-headed M6x10 screw with nut	100
07 818	Hexagonal-headed M8x16 screw with nut	100
07 819	Hexagonal-headed M10x20 screw with nut	100

For fastening squares and spacers and for earth connections

Article	Length (mm)	Unit/pack-metres
---------	-------------	------------------

### Earth cable

09 906	Cable with 4mm <sup>2</sup> section	20
--------	-------------------------------------	----





## Technical details

- produced in EN 10111 DD11 MAC carbon steel hot dip galvanised after production in compliance with UNI E 14.07.000.0 Standard project complying with CEI 7-6 Standard and BS 729
- standard length 3 metres
- standard height 130 mm
- standard thickness 1.5 mm and, on request, also available in 2 mm thickness
- **retainer interaxis 300 mm**
- the profile is moulded in a special way to make the cable tray strong and resistant to bending and twisting
- all corners and branch connections have a wide curving angle (standard 300 mm)
- products manufactured on automatic CNC (Computerised Numeric Control) profiling plant; components welded by a robot system
- products are easy to mount, practical and safe and cables are well ventilated
- special versions of cable ladders can be supplied on request
- industrial application

# Industrial metal trunkings

## Cable ladders H 130



Article	For cable ladder base (mm)	Length (mm)	Unit/pack-metres
---------	----------------------------	-------------	------------------

### Cable ladder

09 420	100	3000	3
09 421	200	3000	3
09 422	300	3000	3
09 423	400	3000	3
09 424	500	3000	3
09 425	600	3000	3

### Snap-on cover

09 430	100	1500	3
09 431	200	1500	3
09 432	300	1500	3
09 433	400	1500	3
09 434	500	1500	3
09 435	600	1500	3

Article	For cable ladder base (mm)	Unit/pack-pieces
---------	----------------------------	------------------

### 90° flat corner

Base			
09 460	100		1
09 461	200		1
09 462	300		1
09 463	400		1
09 464	500		1
09 465	600		1
Cover			
09 470	100		1
09 471	200		1
09 472	300		1
09 473	400		1
09 474	500		1
09 475	600		1

# Industrial metal trunkings

## Cable ladders H 130



Article	For cable ladder base (mm)	Unit/pack-pieces
---------	----------------------------	------------------

### 45° flat corner

Base		
09 500	100	1
09 501	200	1
09 502	300	1
09 503	400	1
09 504	500	1
09 505	600	1

Cover		
09 510	100	1
09 511	200	1
09 512	300	1
09 513	400	1
09 514	500	1
09 515	600	1

### Flat tee

Base		
09 540	100	1
09 541	200	1
09 542	300	1
09 543	400	1
09 544	500	1
09 545	600	1

Cover		
09 550	100	1
09 551	200	1
09 552	300	1
09 553	400	1
09 554	500	1
09 555	600	1

### Flat cross

Base		
09 580	100	1
09 581	200	1
09 582	300	1
09 583	400	1
09 584	500	1
09 585	600	1

Cover		
09 590	100	1
09 591	200	1
09 592	300	1
09 593	400	1
09 594	500	1
09 595	600	1

# Industrial metal trunkings

## Cable ladders H 130



Article	For cable ladder base (mm)	Unit/pack-pieces
---------	----------------------------	------------------

### Vertical inside and outside riser adjustable from 0° to 90°

09 620	100	1
09 621	200	1
09 622	300	1
09 623	400	1
09 624	500	1
09 625	600	1

Use straight covers for covering

### 90° vertical inside riser

Base		
09 974	100	1
09 975	200	1
09 976	300	1
09 977	400	1
09 978	500	1
09 979	600	1

Cover		
09 934	100	1
09 935	200	1
09 936	300	1
09 937	400	1
09 938	500	1
09 939	600	1

### 90° vertical outside riser

Base		
09 992	100	1
09 993	200	1
09 994	300	1
09 995	400	1
09 996	500	1
09 997	600	1

Cover		
09 955	100	1
09 956	200	1
09 957	300	1
09 958	400	1
09 959	500	1
09 960	600	1

# Industrial metal trunkings

## Cable ladders H 130



Article	For cable ladder base (mm)	Unit/pack-pieces
---------	----------------------------	------------------

### Concentric reducer

#### Base

09 660	200/100	1
09 661	300/100	1
09 662	300/200	1
09 663	400/200	1
09 664	400/300	1
09 665	500/300	1
09 666	500/400	1
09 667	600/400	1
09 668	600/500	1

#### Cover

09 670	200/100	1
09 671	300/100	1
09 672	300/200	1
09 673	400/200	1
09 674	400/300	1
09 675	500/300	1
09 676	500/400	1
09 677	600/400	1
09 678	600/500	1

### Left reducer

#### Base

09 700	200/100	1
09 701	300/100	1
09 702	300/200	1
09 703	400/200	1
09 704	400/300	1
09 705	500/300	1
09 706	500/400	1
09 707	600/400	1
09 708	600/500	1

#### Cover

09 710	200/100	1
09 711	300/100	1
09 712	300/200	1
09 713	400/200	1
09 714	400/300	1
09 715	500/300	1
09 716	500/400	1
09 717	600/400	1
09 718	600/500	1

# Industrial metal trunkings

## Cable ladders H 130



Article	For cable ladder base (mm)	Unit/pack-pieces
---------	----------------------------	------------------

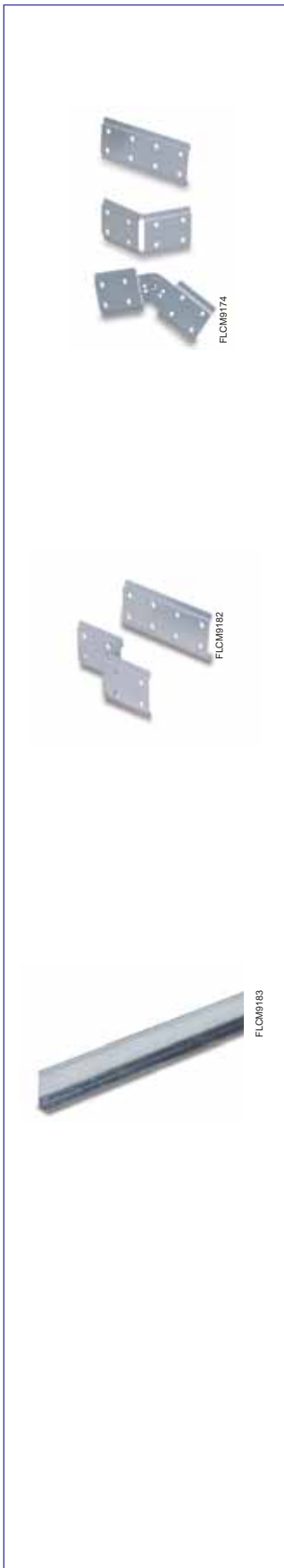
### Right reducer

Base		
09 740	200/100	1
09 741	300/100	1
09 742	300/200	1
09 743	400/200	1
09 744	400/300	1
09 745	500/300	1
09 746	500/400	1
09 747	600/400	1
09 748	600/500	1

Cover		
09 750	200/100	1
09 751	300/100	1
09 752	300/200	1
09 753	400/200	1
09 754	400/300	1
09 755	500/300	1
09 756	500/400	1
09 757	600/400	1
09 758	600/500	1

# Industrial metal trunkings

## Cable ladders H 130



Article	Description	Unit/pack-pieces
---------	-------------	------------------

### Mechanical joint

Includes 2 plates complete with screws and nuts.

09 766	Straight joint	1/20
09 767	Horizontal adjustable joint	1/20
09 768	Vertical adjustable joint	1/10

Article	For reductions of (mm)	Unit/pack-pieces
---------	------------------------	------------------

### Couplers for left and right reduction

09 806	50	1
09 807	100	1
09 808	200	1

Article	Length (mm)	Unit/pack-metres
---------	-------------	------------------

### Metal divider

09 902	2000	2/10
--------	------	------

# Industrial metal trunkings

## Cable ladders H 130



Article	Description	Unit/pack-pieces
---------	-------------	------------------

### Square and cover spacer

09 903	Spacer for cover H 50 mm	1/20
09 904	Square for fastening brackets – inner	1/50
09 905	Square for fastening brackets – outer	1/50

### Fastening components

07 848	Round-headed M6x10 screw with nut	100
07 818	Hexagonal-headed M8x16 screw with nut	100
07 819	Hexagonal-headed M10x20 screw with nut	100

For fastening squares and spacers and for earth connections

Article	Length (mm)	Unit/pack-metres
---------	-------------	------------------

### Earth cable

09 906	Cable with 4mm <sup>2</sup> section	20
--------	-------------------------------------	----



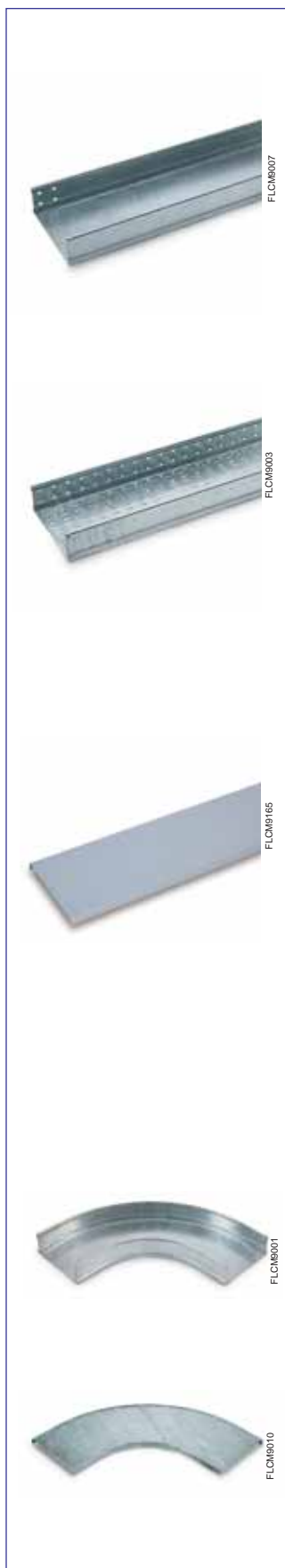


## Technical details

- IP40 degree of protection with closed base and IP20 with punched base (the grade of protection refers to trays with mounted cover)
- produced in EN 10111 DD11 MAC carbon steel hot dip galvanised after production in compliance with UNI E 14.07.000.0 Standard project complying with CEI 7-6 Standard and BS 729
- standard length 3 metres
- standard height 60 mm
- standard thickness 1.2 mm and, on request, also available in 1.5 and 2 mm thickness
- resistance to atmospheric and chemical (water, saline solutions, acids and mineral and oil bases) agents
- considerable mechanical capacity thanks to the special moulding of the profile
- all corners and branch connections have a wide curving angle (standard 300 mm) and different curvatures are available on request
- products are easy to mount, practical and safe
- industrial application

# Industrial metal trunkings

## Closed/punched base cable trays H 60



Article	Cable tray base (mm)	Length (mm)	Unit/pack-metres
---------	----------------------	-------------	------------------

### Closed base cable tray

06 800	100	3000	3
06 801	200	3000	3
06 802	300	3000	3
06 803	400	3000	3
06 804	500	3000	3
06 805	600	3000	3

### Punched base cable tray

06 824	100	3000	3
06 825	200	3000	3
06 826	300	3000	3
06 827	400	3000	3
06 828	500	3000	3
06 829	600	3000	3

Article	For cable tray base (mm)	Length (mm)	Unit/pack-metres
---------	--------------------------	-------------	------------------

### Snap-on cover

09 430	100	1500	3
09 431	200	1500	3
09 432	300	1500	3
09 433	400	1500	3
09 434	500	1500	3
09 435	600	1500	3

Article	For cable tray base (mm)	Unit/pack-pieces
---------	--------------------------	------------------

### 90° flat corner

Base		
06 850	100	1
06 851	200	1
06 852	300	1
06 853	400	1
06 854	500	1
06 855	600	1
Cover		
09 470	100	1
09 471	200	1
09 472	300	1
09 473	400	1
09 474	500	1
09 475	600	1

# Industrial metal trunkings

## Closed/punched base cable trays H 60



Article	For cable tray base (mm)	Unit/pack-pieces
---------	--------------------------	------------------

### 45° flat corner

Base		
06 874	100	1
06 875	200	1
06 876	300	1
06 877	400	1
06 878	500	1
06 879	600	1

Cover		
09 510	100	1
09 511	200	1
09 512	300	1
09 513	400	1
09 514	500	1
09 515	600	1

### Flat tee

Base		
06 896	100	1
06 897	200	1
06 898	300	1
06 999	400	1
07 000	500	1
07 001	600	1

Cover		
09 550	100	1
09 551	200	1
09 552	300	1
09 553	400	1
09 554	500	1
09 555	600	1

### Flat cross

Base		
07 021	100	1
07 022	200	1
07 023	300	1
07 024	400	1
07 025	500	1
07 026	600	1

Cover		
09 590	100	1
09 591	200	1
09 592	300	1
09 593	400	1
09 594	500	1
09 595	600	1

# Industrial metal trunkings

## Closed/punched base cable trays H 60



Article	For cable tray base (mm)	Unit/pack-pieces
---------	--------------------------	------------------

### Vertical inside and outside riser adjustable from 0° to 90°

07 046	100	1
07 047	200	1
07 048	300	1
07 049	400	1
07 050	500	1
07 051	600	1

Use straight covers for covering

### 90° vertical inside riser

Base		
06 900	100	1
06 901	200	1
06 902	300	1
06 903	400	1
06 904	500	1
06 905	600	1

Cover		
09 920	100	1
09 921	200	1
09 922	300	1
09 923	400	1
09 924	500	1
09 925	600	1

### 90° vertical outside riser

Base		
06 924	100	1
06 925	200	1
06 926	300	1
06 927	400	1
06 928	500	1
06 929	600	1

Cover		
09 941	100	1
09 942	200	1
09 943	300	1
09 944	400	1
09 945	500	1
09 946	600	1

# Industrial metal trunkings

## Closed/punched base cable trays H 60



Article	For cable tray base (mm)	Unit/pack-pieces
---------	--------------------------	------------------

### Concentric reducer

#### Base

06 700	200/100	1
06 701	300/100	1
06 702	300/200	1
06 703	400/200	1
06 704	400/300	1
06 705	500/300	1
06 706	500/400	1
06 707	600/400	1
06 708	600/500	1

#### Cover

09 670	200/100	1
09 671	300/100	1
09 672	300/200	1
09 673	400/200	1
09 674	400/300	1
09 675	500/300	1
09 676	500/400	1
09 677	600/400	1
09 678	600/500	1

### Left reducer

#### Base

06 730	200/100	1
06 731	300/100	1
06 732	300/200	1
06 733	400/200	1
06 734	400/300	1
06 735	500/300	1
06 736	500/400	1
06 737	600/400	1
06 738	600/500	1

#### Cover

09 710	200/100	1
09 711	300/100	1
09 712	300/200	1
09 713	400/200	1
09 714	400/300	1
09 715	500/300	1
09 716	500/400	1
09 717	600/400	1
09 718	600/500	1

# Industrial metal trunkings

## Closed/punched base cable trays H 60



Article	For cable tray base (mm)	Unit/pack-pieces
<b>Right reducer</b>		
Base		
06 760	200/100	1
06 761	300/100	1
06 762	300/200	1
06 763	400/200	1
06 764	400/300	1
06 765	500/300	1
06 766	500/400	1
06 767	600/400	1
06 768	600/500	1
Cover		
09 750	200/100	1
09 751	300/100	1
09 752	300/200	1
09 753	400/200	1
09 754	400/300	1
09 755	500/300	1
09 756	500/400	1
09 757	600/400	1
09 758	600/500	1

# Industrial metal trunkings

## Closed/punched base cable trays H 60



Article	Description	Unit/pack-pieces
---------	-------------	------------------

### Mechanical joint

Includes 2 plates complete with screws and nuts.

09 760	Straight joint	1/20
09 761	Horizontal adjustable joint	1/20
09 762	Vertical adjustable joint	1/20

Article	For reductions of (mm)	Unit/pack-pieces
---------	------------------------	------------------

### Coupler for left and right reduction

09 800	50	1
09 801	100	1
09 802	200	1

Article	Length (mm)	Unit/pack-metres
---------	-------------	------------------

### Metal divider

09 910	2000	2/10
--------	------	------

# Industrial metal trunkings

## Closed/punched base cable trays H 60



Article	Description (mm)	Unit/pack-pieces
---------	------------------	------------------

### Square and cover spacer

09 903	Spacer for cover H 50 mm	1/20
09 905	Square for fastening brackets – outer	1/50

Article	Description (mm)	Unit/pack-pieces
---------	------------------	------------------

### Fastening components

07 848	Round-headed M6x10 screw with nut	100
07 818	Hexagonal-headed M8x16 screw with nut	100

Article	Description (mm)	Unit/pack-metres
---------	------------------	------------------

### Earth cable

09 906	Cable with 4mm <sup>2</sup> section	20
--------	-------------------------------------	----





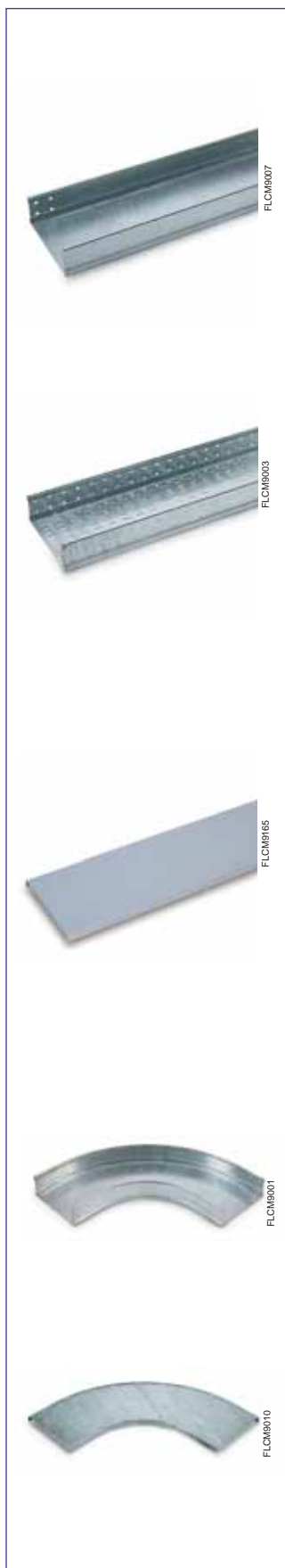
## Technical details

- IP40 degree of protection with closed base and IP20 with punched base (the grade of protection refers to trays with mounted cover)
- produced in EN 10111 DD11 MAC carbon steel hot dip galvanised after production in compliance with UNI E 14.07.000.0 Standard project complying with CEI 7-6 Standard and BS 729
- standard length 3 metres
- standard height 100 mm
- standard thickness 1.2 mm and, on request, also available in 1.5 and 2 mm thickness
- resistance to atmospheric and chemical (water, saline solutions, acids and mineral and oil bases) agents
- considerable mechanical capacity thanks to the special moulding of the profile
- all corners and branch connections have a wide curving angle (standard 300 mm) and different curvatures are available on request
- products are easy to mount, practical and safe
- industrial application



# Industrial metal trunkings

## Closed/punched base cable trays H 100



Article	Cable tray base (mm)	Length (mm)	Unit/pack-metres
---------	----------------------	-------------	------------------

### Closed base cable tray

06 808	100	3000	3
06 809	200	3000	3
06 810	300	3000	3
06 811	400	3000	3
06 812	500	3000	3
06 813	600	3000	3

### Punched base cable tray

06 830	100	3000	3
06 831	200	3000	3
06 832	300	3000	3
06 833	400	3000	3
06 834	500	3000	3
06 835	600	3000	3

Article	Cable tray base (mm)	Length (mm)	Unit/pack-metres
---------	----------------------	-------------	------------------

### Snap-on cover

09 430	100	1500	3
09 431	200	1500	3
09 432	300	1500	3
09 433	400	1500	3
09 434	500	1500	3
09 435	600	1500	3

Article	Cable tray base (mm)	Length (mm)	Unit/pack-pieces
---------	----------------------	-------------	------------------

### 90° flat corner

Base			
06 858	100		1
06 859	200		1
06 860	300		1
06 861	400		1
06 862	500		1
06 863	600		1
Cover			
09 470	100		1
09 471	200		1
09 472	300		1
09 473	400		1
09 474	500		1
09 475	600		1

# Industrial metal trunkings

## Closed/punched base cable trays H 100



Article	For cable tray base (mm)	Unit/pack-pieces
---------	--------------------------	------------------

### 45° flat corner

Base		
06 882	100	1
06 883	200	1
06 884	300	1
06 885	400	1
06 886	500	1
06 887	600	1

Cover		
09 510	100	1
09 511	200	1
09 512	300	1
09 513	400	1
09 514	500	1
09 515	600	1

### Flat tee

Base		
07 005	100	1
07 006	200	1
07 007	300	1
07 008	400	1
07 009	500	1
07 010	600	1

Cover		
09 550	100	1
09 551	200	1
09 552	300	1
09 553	400	1
09 554	500	1
09 555	600	1

### Flat cross

Base		
07 030	100	1
07 031	200	1
07 032	300	1
07 033	400	1
07 034	500	1
07 035	600	1

Cover		
09 590	100	1
09 591	200	1
09 592	300	1
09 593	400	1
09 594	500	1
09 595	600	1

# Industrial metal trunkings

## Closed/punched base cable trays H 100



Article	For cable tray base (mm)	Unit/pack-pieces
---------	--------------------------	------------------

### Vertical inside and outside riser adjustable from 0° to 90°

07 055	100	1
07 056	200	1
07 057	300	1
07 058	400	1
07 059	500	1
07 060	600	1

Use straight covers for covering

### 90° vertical inside riser

Base		
06 908	100	1
06 909	200	1
06 910	300	1
06 911	400	1
06 912	500	1
06 913	600	1

Cover		
09 927	100	1
09 928	200	1
09 929	300	1
09 930	400	1
09 931	500	1
09 932	600	1

### 90° vertical outside riser

Base		
06 932	100	1
06 933	200	1
06 934	300	1
06 935	400	1
06 936	500	1
06 937	600	1

Cover		
09 948	100	1
09 949	200	1
09 950	300	1
09 951	400	1
09 952	500	1
09 953	600	1

# Industrial metal trunkings

## Closed/punched base cable trays H 100



Article	For cable tray base (mm)	Unit/pack-pieces
---------	--------------------------	------------------

### Concentric reducer

#### Base

06 709	200/100	1
06 710	300/100	1
06 711	300/200	1
06 712	400/200	1
06 713	400/300	1
06 714	500/300	1
06 715	500/400	1
06 716	600/400	1
06 717	600/500	1

#### Cover

09 670	200/100	1
09 671	300/100	1
09 672	300/200	1
09 673	400/200	1
09 674	400/300	1
09 675	500/300	1
09 676	500/400	1
09 677	600/400	1
09 678	600/500	1

### Left reducer

#### Base

06 739	200/100	1
06 740	300/100	1
06 741	300/200	1
06 742	400/200	1
06 743	400/300	1
06 744	500/300	1
06 745	500/400	1
06 746	600/400	1
06 747	600/500	1

#### Cover

09 710	200/100	1
09 711	300/100	1
09 712	300/200	1
09 713	400/200	1
09 714	400/300	1
09 715	500/300	1
09 716	500/400	1
09 717	600/400	1
09 718	600/500	1

# Industrial metal trunkings

## Closed/punched base cable trays H 100



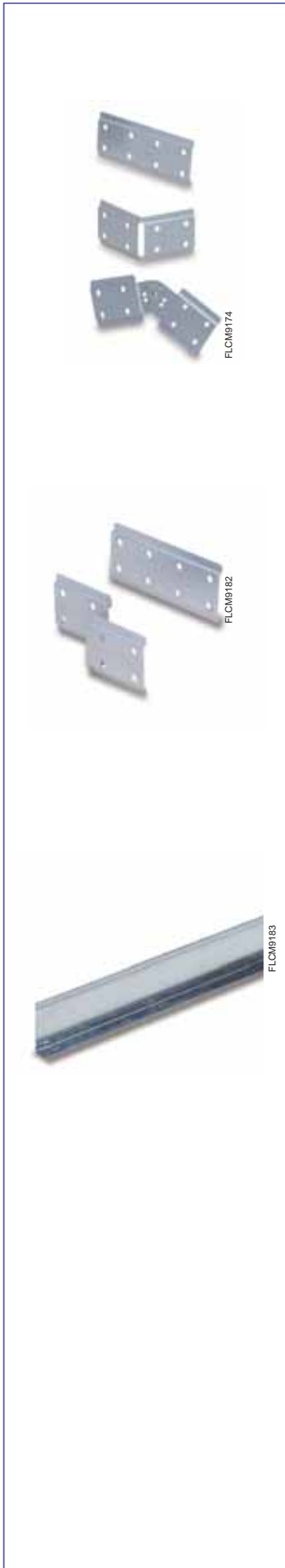
Article	For cable tray base (mm)	Unit/pack-pieces
---------	--------------------------	------------------

### Right reducer

Base		
06 769	200/100	1
06 770	300/100	1
06 771	300/200	1
06 772	400/200	1
06 773	400/300	1
06 774	500/300	1
06 775	500/400	1
06 776	600/400	1
06 777	600/500	1
Cover		
09 750	200/100	1
09 751	300/100	1
09 752	300/200	1
09 753	400/200	1
09 754	400/300	1
09 755	500/300	1
09 756	500/400	1
09 757	600/400	1
09 758	600/500	1

# Industrial metal trunkings

## Closed/punched base cable trays H 100



Article	Description	Unit/pack-pieces
---------	-------------	------------------

### Mechanical joint

Includes 2 plates complete with screws and nuts.

09 763	Straight joint	1/20
09 764	Horizontal adjustable joint	1/20
09 765	Vertical adjustable joint	1/20

Article	For reductions of (mm)	Unit/pack-pieces
---------	------------------------	------------------

### Couplers for left and right reduction

09 803	50	1
09 804	100	1
09 805	200	1

Article	Length (mm)	Unit/pack-metres
---------	-------------	------------------

### Metal divider

09 911	2000	2/10
--------	------	------

# Industrial metal trunkings

## Closed/punched base cable trays H 100



Article	Description	Unit/pack-pieces
---------	-------------	------------------

### Square and cover spacer

09 903	Spacer for cover H 50 mm	1/20
09 905	Square for fastening brackets - outer	1/50

### Fastening components

07 848	Round-headed M6x10 screw with nut	100
07 818	Hexagonal-headed M8x16 screw with nut	100

Article	For reductions of (mm)	Unit/pack-metres
---------	------------------------	------------------

### Earth cable

09 906	Cable with 4mm <sup>2</sup> section	20
--------	-------------------------------------	----



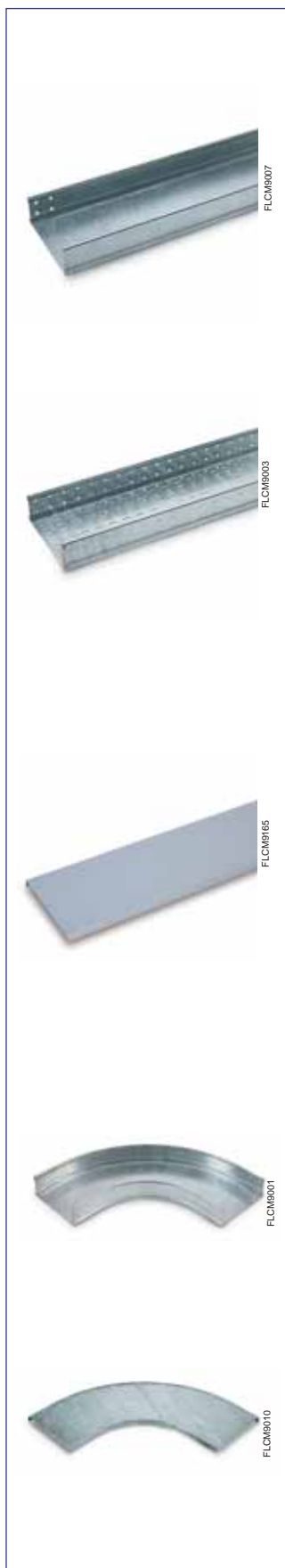


## Technical details

- IP40 degree of protection with closed base and IP20 with punched base (the grade of protection refers to trays with mounted cover)
- produced in EN 10111 DD11 MAC carbon steel hot dip galvanised after production in compliance with UNI E 14.07.000.0 Standard project complying with CEI 7-6 Standard and BS 729
- standard length 3 metres
- standard height 130 mm
- standard thickness 1.2 mm and, on request, also available in 1.5 and 2 mm thickness
- resistance to atmospheric and chemical (water, saline solutions, acids and mineral and oil bases) agents
- considerable mechanical capacity thanks to the special moulding of the profile
- all corners and branch connections have a wide curving angle (standard 300 mm) and different curvatures are available on request
- products are easy to mount, practical and safe
- industrial application

# Industrial metal trunkings

## Closed/punched base cable trays H 130



Article	Cable tray base (mm)	Length (mm)	Unit/pack-metres
---------	----------------------	-------------	------------------

### Closed base cable tray

06 816	100	3000	3
06 817	200	3000	3
06 818	300	3000	3
06 819	400	3000	3
06 820	500	3000	3
06 821	600	3000	3

### Punched base cable tray

06 838	100	3000	3
06 839	200	3000	3
06 840	300	3000	3
06 841	400	3000	3
06 842	500	3000	3
06 843	600	3000	3

Article	For cable tray base (mm)	Length (mm)	Unit/pack-metres
---------	--------------------------	-------------	------------------

### Snap-on cover

09 430	100	1500	3
09 431	200	1500	3
09 432	300	1500	3
09 433	400	1500	3
09 434	500	1500	3
09 435	600	1500	3

Article	For cable tray base (mm)	Unit/pack-pieces
---------	--------------------------	------------------

### 90° flat corner

Base		
06 866	100	1
06 867	200	1
06 868	300	1
06 869	400	1
06 870	500	1
06 871	600	1
Cover		
09 470	100	1
09 471	200	1
09 472	300	1
09 473	400	1
09 474	500	1
09 475	600	1

# Industrial metal trunkings

## Closed/punched base cable trays H 130



Article	For cable tray base (mm)	Unit/pack-pieces
---------	--------------------------	------------------

### 45° flat corner

Base		
06 890	100	1
06 891	200	1
06 892	300	1
06 893	400	1
06 894	500	1
06 895	600	1

Cover		
09 510	100	1
09 511	200	1
09 512	300	1
09 513	400	1
09 514	500	1
09 515	600	1

### Flat tee

Base		
07 013	100	1
07 014	200	1
07 015	300	1
07 016	400	1
07 017	500	1
07 018	600	1

Cover		
09 550	100	1
09 551	200	1
09 552	300	1
09 553	400	1
09 554	500	1
09 555	600	1

### Flat cross

Base		
07 038	100	1
07 039	200	1
07 040	300	1
07 041	400	1
07 042	500	1
07 043	600	1

Cover		
09 590	100	1
09 591	200	1
09 592	300	1
09 593	400	1
09 594	500	1
09 595	600	1

# Industrial metal trunkings

## Closed/punched base cable trays H 130



Article	For cable tray base (mm)	Unit/pack-pieces
---------	--------------------------	------------------

### Vertical inside and outside riser adjustable from 0° to 90°

07 063	100	1
07 064	200	1
07 065	300	1
07 066	400	1
07 067	500	1
07 068	600	1

Use straight covers for covering.

### 90° vertical inside riser

Base		
06 916	100	1
06 917	200	1
06 918	300	1
06 919	400	1
06 920	500	1
06 921	600	1

Cover		
09 934	100	1
09 935	200	1
09 936	300	1
09 937	400	1
09 938	500	1
09 939	600	1

### 90° vertical outside riser

Base		
06 940	100	1
06 941	200	1
06 942	300	1
06 943	400	1
06 944	500	1
06 945	600	1

Cover		
09 955	100	1
09 956	200	1
09 957	300	1
09 958	400	1
09 959	500	1
09 960	600	1

# Industrial metal trunkings

## Closed/punched base cable trays H 130



Article	For cable tray base (mm)	Unit/pack-pieces
---------	--------------------------	------------------

### Concentric reducer

#### Base

06 718	200/100	1
06 719	300/100	1
06 720	300/200	1
06 721	400/200	1
06 722	400/300	1
06 723	500/300	1
06 724	500/400	1
06 725	600/400	1
06 726	600/500	1

#### Cover

09 670	200/100	1
09 671	300/100	1
09 672	300/200	1
09 673	400/200	1
09 674	400/300	1
09 675	500/300	1
09 676	500/400	1
09 677	600/400	1
09 678	600/500	1

### Left reducer

#### Base

06 748	200/100	1
06 749	300/100	1
06 750	300/200	1
06 751	400/200	1
06 752	400/300	1
06 753	500/300	1
06 754	500/400	1
06 755	600/400	1
06 756	600/500	1

#### Cover

09 710	200/100	1
09 711	300/100	1
09 712	300/200	1
09 713	400/200	1
09 714	400/300	1
09 715	500/300	1
09 716	500/400	1
09 717	600/400	1
09 718	600/500	1

# Industrial metal trunkings

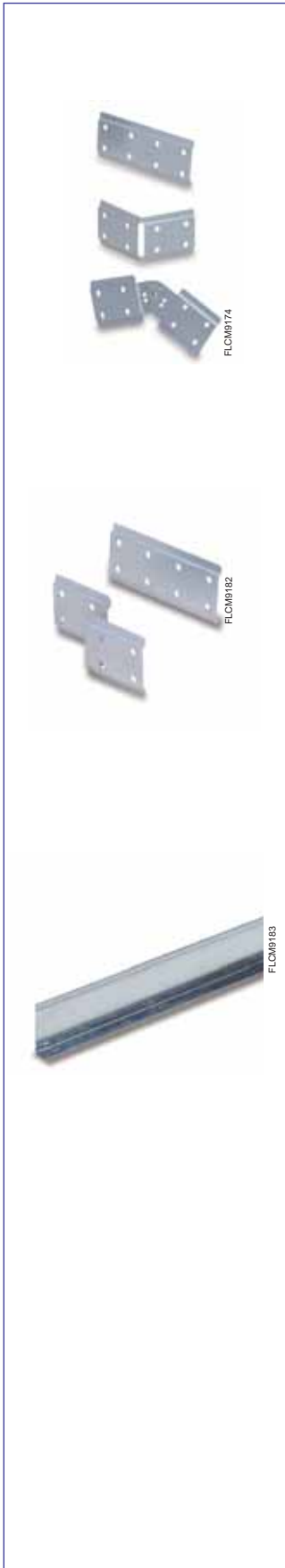
## Closed/punched base cable trays H 130



Article	For cable tray base (mm)	Unit/pack-pieces
<b>Right reducer</b>		
Base		
06 778	200/100	1
06 779	300/100	1
06 780	300/200	1
06 781	400/200	1
06 782	400/300	1
06 783	500/300	1
06 784	500/400	1
06 785	600/400	1
06 786	600/500	1
Cover		
09 750	200/100	1
09 751	300/100	1
09 752	300/200	1
09 753	400/200	1
09 754	400/300	1
09 755	500/300	1
09 756	500/400	1
09 757	600/400	1
09 758	600/500	1

# Industrial metal trunkings

## Closed/punched base cable trays H 130



Article	Description	Unit/pack-pieces
---------	-------------	------------------

### Mechanical joint

Includes 2 plates complete with screws and nuts.

09 766	Straight joint	1/20
09 767	Horizontal adjustable joint	1/20
09 768	Vertical adjustable joint	1/10

Article	For reductions of (mm)	Unit/pack-pieces
---------	------------------------	------------------

### Couplers for left and right reduction

09 806	50	1
09 807	100	1
09 808	200	1

Article	Length (mm)	Unit/pack-metres
---------	-------------	------------------

### Metal divider

09 912	2000	2/10
--------	------	------

# Industrial metal trunkings

## Closed/punched base cable trays H 130



Article	Description	Unit/pack-pieces
---------	-------------	------------------

### Square and cover spacer

09 903	Spacer for cover H 50 mm	1/20
09 905	Square for fastening brackets – outer	1/50

### Fastening components

07 848	Round-headed M6x10 screw with nut	100
07 818	Hexagonal-headed M8x16 screw with nut	100

Article	For reductions of (mm)	Unit/pack-metres
---------	------------------------	------------------

### Earth cable

09 906	Cable with 4mm <sup>2</sup> section	20
--------	-------------------------------------	----

9





### Technical details

- produced in EN 10111 DD11 pickled plate with 17-micron electrogalvanization
- standard length 3 meters
- standard height 45 mm
- standard thickness 1.5 mm
- bar interaxis 300 mm
- perfectly rounded edges
- flat corner with curvature radius of 250 mm
- naval application

# Industrial metal trunkings

## Cable ladders H 45 mm for naval application



Article	Cable tray base (mm)	Length (mm)	Colour	Unit/pack-metres
---------	----------------------	-------------	--------	------------------

### Cable ladders

06 200	150	3000	Electrogalvanization	3
06 201	200	3000	Electrogalvanization	3
06 202	300	3000	Electrogalvanization	3
06 203	400	3000	Electrogalvanization	3
06 204	500	3000	Electrogalvanization	3
06 205	600	3000	Electrogalvanization	3

### 90° flat corner

06 208	150			3
06 209	200			3
06 210	300			3
06 211	400			3
06 212	500			3
06 213	600			3

Article	Description	Length (mm)	Colour	Unit/pack-metres
---------	-------------	-------------	--------	------------------

### Flanged profile

06 215	25x7 thickness 1.5 mm with longitudinal holes		Electrogalvanization	3
06 216	25x7 thickness 1.5 mm with transversal holes		Electrogalvanization	3

### Slotted flat

06 218	25x2.5 with transversal holes 15x7 mm	3000	Electrogalvanization	3
06 219	40x1.5 with transversal holes 15x7 mm	3000	Electrogalvanization	3
06 221	25x2.5 with slots 30x7 mm	3000	Electrogalvanization	3
06 222	27x4 with slots 30x7 mm	3000	Electrogalvanization	3

### Corner

06 225	30x3 with slots on one side 50x7 pitch 60 mm	6000	Electrogalvanization	6
06 226	30x3 with slots on one side 45x11 pitch 55 mm	6000	Electrogalvanization	6
06 227	40x5 with slots on one side 45x11 pitch 55 mm	6000	Electrogalvanization	6
06 230	30x3 with slots on two sides 50x7 pitch 60 mm	6000	Electrogalvanization	6
06 231	30x3 with slots on two sides 45x11 pitch 55 mm	6000	Electrogalvanization	6
06 232	40x5 with slots on two sides 45x11 pitch 55 mm	6000	Electrogalvanization	6

### “U” profile

06 235	40x20x5 with slots 50x11 pitch 60 mm	6000	Electrogalvanization	6
06 236	60x30x6 with slots 70x14 pitch 84 mm	6000	Electrogalvanization	6
06 237	80x45x6 with slots 90x18 pitch 108 mm	6000	Electrogalvanization	6
06 238	120x55x7 with slots 100x24 pitch 120 mm	6000	Electrogalvanization	6

# Industrial metal trunkings

## Cable ladders H 45 mm for naval application

Article	Description	Length (mm)	Colour	Unit/pack-metres
---------	-------------	-------------	--------	------------------

### Edged supports

06 240	75x15 thickness 1.5 mm with rectangular holes 20x7	2000	Electrogalvanization	2
06 241	100x15 thickness 1.5 mm with rectangular holes 20x7	2000	Electrogalvanization	2
06 242	125x15 thickness 1.5 mm with rectangular holes 20x7	2000	Electrogalvanization	2
06 243	150x15 thickness 1.5 mm with rectangular holes 20x7	2000	Electrogalvanization	2
06 244	200x15 thickness 1.5 mm with rectangular holes 20x7	2000	Electrogalvanization	2

### Outlined band

06 247	16x0.4 mm		Stainless steel (AISI 304)	100
06 248	19x0.5 mm		Stainless steel (AISI 304)	100
06 249	16x0.4 mm		Galvanised	100
06 250	19x0.5 mm		Galvanised	100

### Clasps

06 253	27x20 thickness 2 mm		Stainless steel (AISI 304)	
06 254	30x20 thickness 2 mm		Stainless steel (AISI 304)	
06 255	27x20 thickness 2 mm		Galvanised	
06 256	30x20 thickness 2 mm		Galvanised	

### Slotted cross-sections

06 260	45x33 length 150 mm		Electrogalvanization	
06 261	45x33 length 200 mm		Electrogalvanization	
06 262	45x33 length 300 mm		Electrogalvanization	
06 263	45x33 length 400 mm		Electrogalvanization	
06 264	45x33 length 500 mm		Electrogalvanization	
06 265	45x33 length 600 mm		Electrogalvanization	

### "L" punched supports

06 266	50x25x30 thickness 3 mm		Electrogalvanization	
06 267	75x25x30 thickness 3 mm		Electrogalvanization	
06 268	100x25x30 thickness 3 mm		Electrogalvanization	
06 269	125x25x30 thickness 3 mm		Electrogalvanization	
06 270	150x25x30 thickness 3 mm		Electrogalvanization	
06 271	175x25x30 thickness 3 mm		Electrogalvanization	
06 272	200x25x30 thickness 3 mm		Electrogalvanization	
06 273	225x25x30 thickness 3 mm		Electrogalvanization	
06 274	250x25x30 thickness 3 mm		Electrogalvanization	

### Joints

06 280	Vertical articulated joint 210x40 thickness 1.5 mm		Electrogalvanization	
--------	--	--	----------------------	--



# Suspension systems for industrial trunkings

## Index

Suspension elements .....	10/2
---------------------------	------



FLCM9810

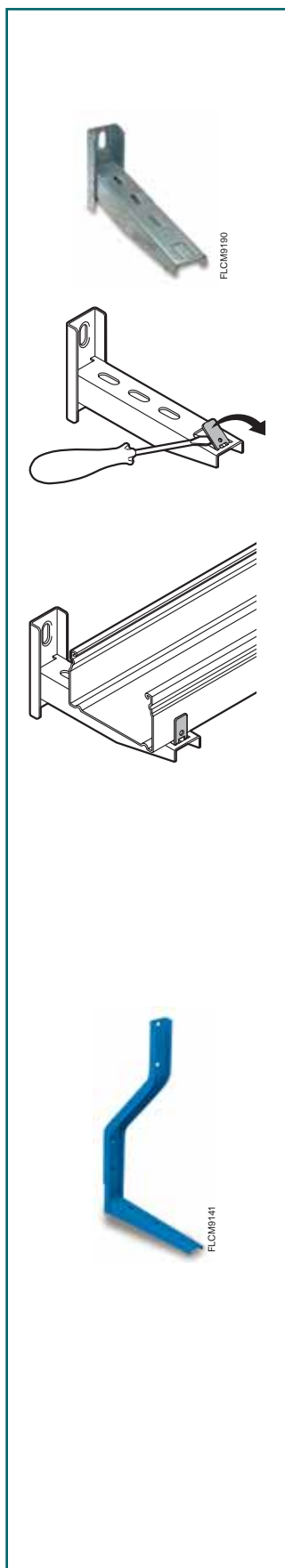
## Technical details

- colours:
  - galvanised
  - RAL 7032 grey
  - bright blue
- produced in hot dip galvanised sendzimir steel plate and in hot dip galvanised after production steel plate, in compliance with UNI E 14.07.000.0 Standard
- painted with thermosetting, epoxy-polyester powders; average thickness 70-80 micron, after production on hot dip galvanised plate
- complete range of accessories for suspension and anchorage specially designed to be modular and highly versatile
- industrial application

SEE "GUIDE TO SELECTING  
SUSPENSION SYSTEMS FOR  
INDUSTRIAL TRUNKINGS",  
PAGES 11/24-11/25

# Suspension systems for industrial trunkings

## Suspension elements



Article	Trunking base (mm)	Colour	Capacity (N)	Unit/pack-pieces
---------	--------------------	--------	--------------	------------------

### Galvanised bracket

Can be fixed directly to the wall or on the "C" profile art. 07 992, 07 993 and 08 861 using plate art. 07 995.

07 901	75	Sendzimir galvanised	600	40
07 902	100	Sendzimir galvanised	600	30
07 903	150	Sendzimir galvanised	600	30
07 904	200	Sendzimir galvanised	650	20
07 905	300	Sendzimir galvanised	650	20
07 906	400	Hot dip galvanised after production	900	10
07 907	500	Hot dip galvanised after production	1100	10
07 911	75	RAL 7032 grey	600	40
07 912	100	RAL 7032 grey	600	30
07 913	150	RAL 7032 grey	600	30
07 914	200	RAL 7032 grey	650	20
07 915	300	RAL 7032 grey	650	20
07 916	400	RAL 7032 grey	900	10
07 917	500	RAL 7032 grey	1100	10
08 801	75	Bright blue	600	40
08 802	100	Bright blue	600	30
08 803	150	Bright blue	600	30
08 804	200	Bright blue	650	20
08 805	300	Bright blue	650	20
08 806	400	Bright blue	900	10
08 807	500	Bright blue	1100	10

N.B.: You can position the trunking without dropping it using the tongue

### Chair bracket\*

Can be used with "C" profile art. 07 992, 07 993 or 08 861.

07 908	75/100/150	Galvanised	600	10
07 909	200/300	Galvanised	650	10
07 918	75/100/150	RAL 7032 grey	600	10
07 919	200/300	RAL 7032 grey	650	10
08 811	75/100/150	Bright blue	600	10
08 812	200/300	Bright blue	650	10

\* Hot dip galvanised after production and moulded bracket, electrolytically galvanised profile

# Suspension systems for industrial trunkings

## Suspension elements



Article	Trunking base (mm)	Colour	Capacity (N)	Unit/pack-pieces
---------	--------------------	--------	--------------	------------------

### Light pressed bracket (sendzimir galvanised)

Can be used with profile art. 07 960.

07671	75	Galvanised	1000	10
07672	100	Galvanised	1000	10
07673	150	Galvanised	750	10
07674	200	Galvanised	600	10
07675	300	Galvanised	450	10
07676	400	Galvanised	400	5
07677	500	Galvanised	300	5
07681	75	RAL 7032 grey	1000	10
07682	100	RAL 7032 grey	1000	10
07683	150	RAL 7032 grey	750	10
07684	200	RAL 7032 grey	600	10
07685	300	RAL 7032 grey	450	10
07686	400	RAL 7032 grey	400	5
07687	500	RAL 7032 grey	300	5
08881	75	Bright blue	1000	10
08882	100	Bright blue	1000	10
08883	150	Bright blue	750	10
08884	200	Bright blue	600	10
08885	300	Bright blue	450	10
08886	400	Bright blue	400	5
08887	500	Bright blue	300	5

### Heavy bracket (hot dip galvanised after production)

Can be used directly to the wall or with profile art. 07 956 and anchoring screws art. 07 851.

07 785	75/100/150	Galvanised	1800	30
07 786	200	Galvanised	1800	20
07 787	300	Galvanised	1800	20
07 788	400	Galvanised	2000	10
07 789	500	Galvanised	2000	10
07 790	600	Galvanised	2000	10

### Alfen profile bracket (hot dip galvanised after production)

Can be used with profile art. 07 956 and anchorage screws art. 07 851.

09770	150	Galvanised	2000	1
09771	250	Galvanised	1700	1
09772	350	Galvanised	1500	1
09773	450	Galvanised	1300	1
09774*	550	Galvanised	2500	1
09775*	650	Galvanised	2200	1
09776*	750	Galvanised	2500	1
09777*	850	Galvanised	2400	1
09778*	950	Galvanised	2300	1
09779*	1050	Galvanised	2200	1

\* Reinforced bracket

# Suspension systems for industrial trunkings

## Suspension elements



FLCM9144



FLCM9145

Article	Trunking base (mm)	Colour	Unit/pack-pieces
---------	--------------------	--------	------------------

### Cross piece for fastening to the ceiling

07 941	75	Galvanised	40
07 942	100	Galvanised	30
07 943	150	Galvanised	30
07 944	200	Galvanised	20
07 945	300	Galvanised	20
07 951	75	RAL 7032 grey	40
07 952	100	RAL 7032 grey	30
07 953	150	RAL 7032 grey	30
07 954	200	RAL 7032 grey	20
07 955	300	RAL 7032 grey	20
08 831	75	Bright blue	40
08 832	100	Bright blue	30
08 833	150	Bright blue	30
08 834	200	Bright blue	20
08 835	300	Bright blue	20

### Support for suspension

07 961	75	Galvanised	40
07 962	100	Galvanised	30
07 963	150	Galvanised	30
07 964	200	Galvanised	20
07 965	300	Galvanised	20
07 971	75	RAL 7032 grey	40
07 972	100	RAL 7032 grey	30
07 973	150	RAL 7032 grey	30
07 974	200	RAL 7032 grey	20
07 975	300	RAL 7032 grey	20
08 841	75	Bright blue	40
08 842	100	Bright blue	30
08 843	150	Bright blue	30
08 844	200	Bright blue	20
08 845	300	Bright blue	20



# Suspension systems for industrial trunkings

## Suspension elements



Article	Trunking base (mm)	Colour	Unit/pack-pieces
---------	--------------------	--------	------------------

### Cross piece with conduit-tightening collar Ø 22 mm

07 921	75	Galvanised	40
07 922	100	Galvanised	30
07 923	150	Galvanised	30
07 924	200	Galvanised	20
07 925	300	Galvanised	20
07 931	75	RAL 7032 grey	40
07 932	100	RAL 7032 grey	30
07 933	150	RAL 7032 grey	30
07 934	200	RAL 7032 grey	20
07 935	300	RAL 7032 grey	20
08 821	75	Bright blue	40
08 822	100	Bright blue	30
08 823	150	Bright blue	30
08 824	200	Bright blue	20
08 825	300	Bright blue	20

### Plate with conduit-tightening collar Ø 22 mm

Suitable for ceiling suspension and branch connection.

07 978	For conduit with Ø 22 mm	Galvanised	40
07 979	For conduit with Ø 22 mm	RAL 7032 grey	40
08 854	For conduit with Ø 22 mm	Bright blue	40

Article	Description	Colour	Unit/pack-metres
---------	-------------	--------	------------------

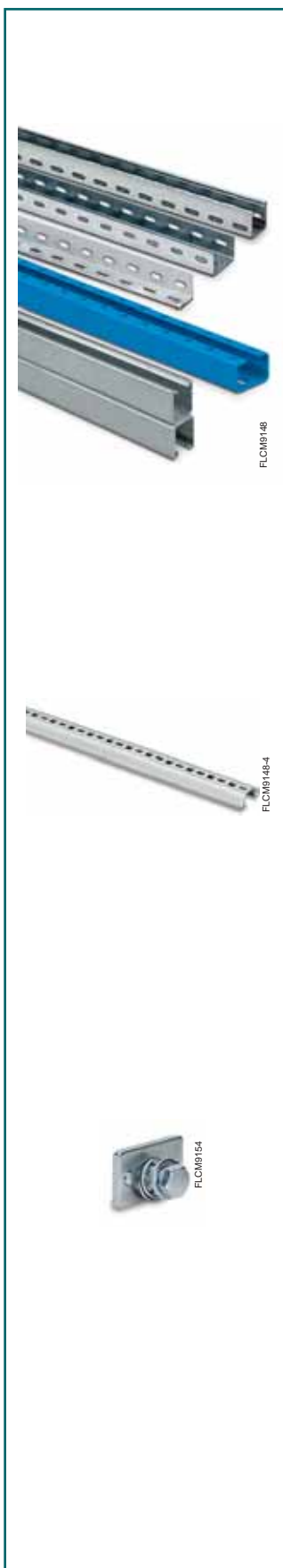
### Conduit Ø 22 mm

For suspension or branch connection: 3-metre bars.

07 982	Conduit Ø 22 mm	Galvanised	30
07 983	Conduit Ø 22 mm	RAL 7032 grey	30
08 862	Conduit Ø 22 mm	Bright blue	30

# Suspension systems for industrial trunkings

## Suspension elements



FLCM9148

FLCM9146-4

FLCM9154

Article	Dimensions (mm)	Length	Description	Colour	Unit/pack-pieces
---------	-----------------	--------	-------------	--------	------------------

### Profile for suspensions

1SL9895A00	41x41x2.5	3000 mm	"C" punched profile	Sendzimir	6
07 956	41x41x2.5	2000 mm	"C" punched profile	Hot dip galvanized	4
1SL9896A00	41x41x2.5	3000 mm	"C" punched profile	Hot dip galvanized	6
07 926	41x41x2.5	2000 mm	"C" blind profile	Hot dip galvanized	4
1SL9897A00	41x41x2.5	3000 mm	"C" blind profile	Hot dip galvanized	6
07 927	82x41x2.5	2000 mm	Double "C" blind profile	Hot dip galvanized	2
07 957	40x28x2	2000 mm	"L" punched profile	Sendzimir	10
07 947	40x28x2	2000 mm	"L" punched profile	RAL 7032 grey	10
08 863	40x28x2	2000 mm	"L" punched profile	Bright blue	10
07 958	40x28x2	2000 mm	"C" punched profile	Sendzimir	4
07 948	40x28x2	2000 mm	"C" punched profile	RAL 7032 grey	4
08 864	40x28x2	2000 mm	"C" punched profile	Bright blue	4
07 959	56x36x3	2000 mm	"C" punched profile	Hot dip galvanized	4
07 992*	44x25x2	2000 mm	"C" punched profile	Hot dip galvanized	4
07 993*	44x25x2	2000 mm	"C" punched profile	RAL 7032 grey	4
08 861*	44x25x2	2000 mm	"C" punched profile	Bright blue	4

\* Use plate art. 07995 for fastening brackets

### Light pressed bracket profile

Length 1000 mm.

07 960	60x20x2	Light bracket profile	Galvanised	10
--------	---------	-----------------------	------------	----

Article	Description	Unit/pack-pieces
---------	-------------	------------------

### Fastening components

07 995*	Blocking plate	50
07 950**	Trunking retainer spring	10

\* Blocking plate to be used inside the "C" profile (art. 07992, 07993 and 08861) for fastening brackets

\*\* Snaps onto any type of bracket (except 500 size) to stop the trunking from falling off the bracket

# Suspension systems for industrial trunkings

## Suspension elements



Article	Description	Colour	Unit/pack-pieces
---------	-------------	--------	------------------

### Ceiling anchorage plate

07 986	Single plate	Galvanised	20
07 987	Single plate	RAL 7032 grey	20
08 851	Single plate	Bright blue	20
07 988	Double plate	Galvanised	10
07 989	Double plate	RAL 7032 grey	10
08 852	Double plate	Bright blue	10
07 984	Single heavy plate	Galvanised	20
07 949	Double heavy plate	Galvanised	20
07 990	Adjustable plate	Galvanised	20
07 991	Adjustable plate	RAL 7032 grey	20
08 853	Adjustable plate	Bright blue	20
07 985	Adjustable heavy plate	Galvanised	10

Article	Dimensions BxD (mm)	Colour	Unit/pack-metres
---------	---------------------	--------	------------------

### Punched bar

In 20-metre roll.

07 996	40x1.2	Galvanised	20
07 997	20x1	Galvanised	20

### Flat punched profile

2-metre length.

07 966	30x3	Galvanised	20
--------	------	------------	----

Article	Description	Length (mm)	Colour	Unit/pack-pieces
---------	-------------	-------------	--------	------------------

### Flat punched fastening plate

Thickness 4 mm.

07 437	Plate with 1 hole	40	Galvanised	25
07 967	Plate with 2 holes	75	Galvanised	25
07 976	Plate with 3 holes	115	Galvanised	10
07 968	Plate with 4 holes	155	Galvanised	10

Article	Description	Colour	Unit/pack-pieces
---------	-------------	--------	------------------

### 90° punched fastening square

Thickness 4 mm.

07 969	Square with 2 holes	Galvanised	25
07 977	Square with 3 holes	Galvanised	10
07 970	Square with 4 holes	Galvanised	10

# Suspension systems for industrial trunkings

## Suspension elements



Article	Description	Colour	Unit/pack-pieces
---------	-------------	--------	------------------

### Flat 90°, tee and cross punched fastening plate

Thickness 4 mm.

07 980	90° plate	Galvanised	10
07 981	tee plate	Galvanised	10
07 438	cross plate	Galvanised	10

Article	Description	Unit/pack-pieces
---------	-------------	------------------

### Fastening screws

07 849	Round-headed M8x16 screw complete with nut and washer	100
07 818	Hexagonal-headed M8x16 screw complete with nut and washer	100
07 819	Hexagonal-headed M10x20 screw complete with nut and washer	100
07 439	M6 nut in cage	100
07 853	M8 nut in cage	100

### Anchorage screws

07 448	M8x30 male screw with nut	50
07 851*	M10x30 male screw with nut	50
07 810	M8 universal plate	50
07 826	M8 female screw	50
07 827	M10 female screw	50
07 828	M8 female screw with spring	50
07 830	M10 female screw with spring	50

\* For "C" profile 41x41

### Threaded bar

1-metre length.

07 806	M8 bar	10
07 807	M10 bar	10

### Threaded sleeve

07 808	M8 sleeve	50
07 809	M10 sleeve	50

10





## Technical details and mounting examples

### Index

Technical information.....	11/2
Assembly instructions for steel wire cable trays .....	11/4
Mounting examples .....	11/16
Guide to selecting suspension systems for industrial trunkings .....	11/24

# Technical details and mounting examples

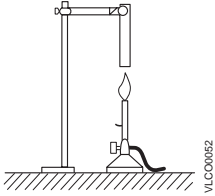
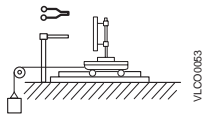
## IK degrees of protection and self-extinguishing tests

### Degrees of mechanical shock protection IK conforming to CEI EN 50102 Standard

Code IK	Shock energy (Joule)	Code IK	Shock energy (Joule)
00	not protected	06	1 Joule
01	0.15 Joules	07	2 Joules
02	0.2 Joules	08	5 Joules
03	0.35 Joules	09	10 Joules
04	0.5 Joules	10	20 Joules
05	0.7 Joules		

Note: test equipment used includes a spring hammer, a pendulum hammer and a vertical hammer.

### Self-extinguishing degrees of protection

Test	Test equipment	Compliance to standards	Purpose of the test	Results of the test	Heat source	Test conditions	Characteristic elements
<b>UL (UNDERWRITERS' LABORATORIES)</b>		<b>UL 94</b>	A classification is given to the various types of behaviour that the materials may have following contact with the Bunsen flame	V0 if the test specimen burns for less than 5 seconds before going out. V1 if it burns for less than 25 seconds V2 if it burns for less than 25 seconds, dripping glowing material HB if it burns for more than 25 seconds (horizontal test specimen with a maximum burning speed of 38 mm per minute) Can be assimilated with ASTM D-635	Bunsen burner flame	Flame applied for 10 seconds and for two consecutive times	Duration of combustion
<b>GLOW-WIRE TEST</b>		<b>IEC 695-2-1 CEI 50-11</b>	Simulates the types of thermal stress that may be produced by the sources of heat or ignition (glowing elements or overcharged resistors for short periods) in order to assess the danger of fire using this simulation	Any manifestation of a flame must stop within 30 seconds of removing the glow-wire. <b>TEST TEMPERATURES</b> 650°C 750°C 850°C 960°C	Glow-wire 4 mm in diameter	Wire applied for 30 seconds	Time it takes the flame to extinguish

# Technical details and mounting examples

## IP degrees of protection

### PROTECTION AGAINST THE PENETRATION OF SOLID BODIES

1 <sup>st</sup> characteristic digit	Brief description	Full description
0	Unprotected	No particular protection is provided
1	Protected against solid bodies larger than 50 mm	It must be impossible for a large surface area, for example, the hand, to penetrate (voluntary protection is not provided, however) or solid bodies larger than 50 mm in diameter
2	Protected against solid bodies larger than 12 mm	It must be impossible for the fingers or similar objects with a maximum length of 80 mm or solid bodies with a diameter greater than 12 mm to penetrate
3	Protected against solid bodies larger than 2.5 mm	It must be impossible for tools, wires, etc. with a diameter or thickness greater than 2.5 mm or solid bodies with a diameter greater than 2.5 mm to penetrate
4	Protected against solid bodies larger than 1.0 mm	It must not be possible for wires or plates with a thickness greater than 1.0 mm or solid bodies with a diameter greater than 1.0 mm to penetrate
5	Dust proof	Not totally dust proof, but the quantity that penetrates is not such to prevent the material from functioning well
6	Totally dust proof	No dust can penetrate

### PROTECTION AGAINST WATER PENETRATION

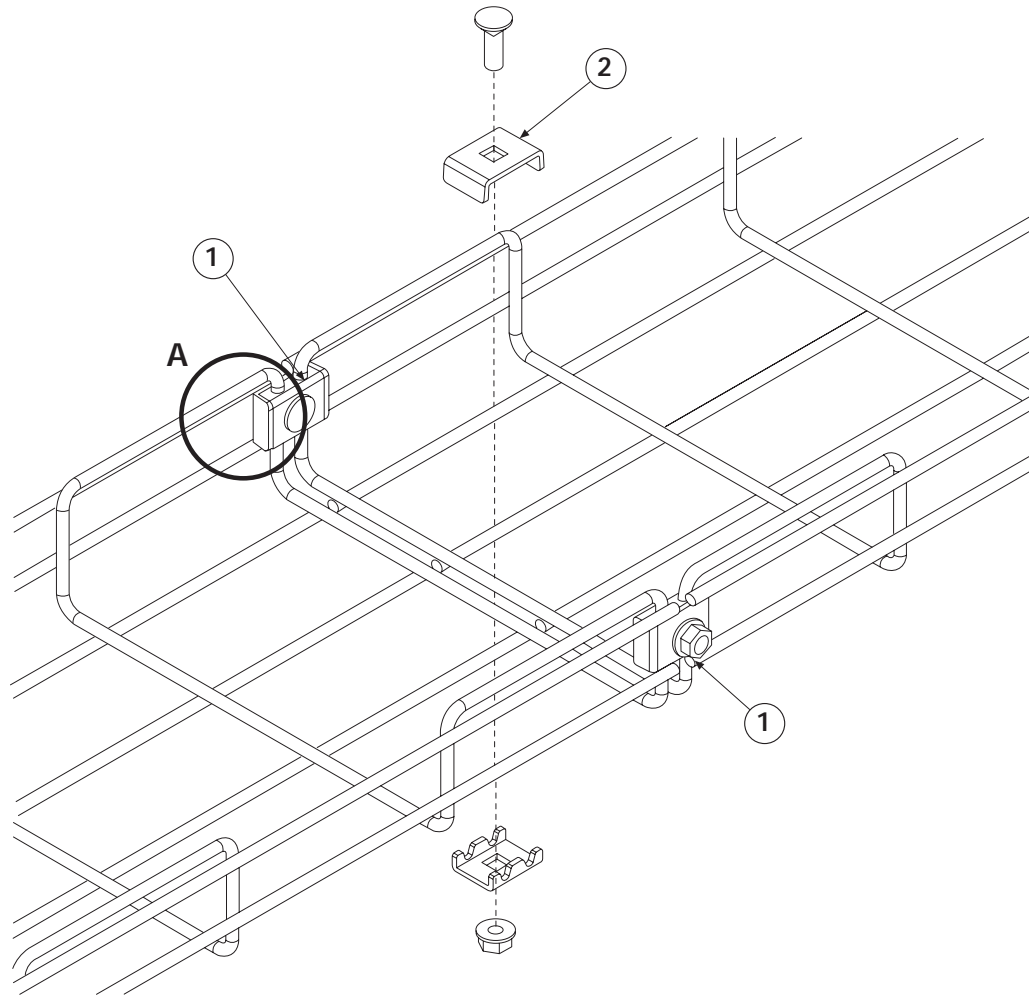
2 <sup>nd</sup> characteristic digit	Brief description	Full description
0	Unprotected	No protection is provided
1	Protected against drops of water	Vertically-falling drops of water must not cause damage
2	Protected against drops of water falling with a maximum angle of 15°	Vertically-falling drops of water will not cause damage when angled at a maximum of 15° from vertical
3	Rain proof	Rain water falling from a direction creating a maximum angle of 60° from vertical must not cause damage
4	Protected against sprays of water	Water sprayed onto the covering from any direction must not cause damage
5	Protected against jets of water	Water projected with a nozzle from all directions must not cause damage
6	Protected against waves	In the case of waves or powerful water jets must not penetrate the covering in harmful quantities
7	Protected against the effects of temporary immersion	Harmful quantities of water must not penetrate inside the immersed covering in specific conditions of pressure or duration
8	Protected against the effect of continuous immersion	The material is suitable to remain constantly immersed in water in the conditions specified by the manufacturer



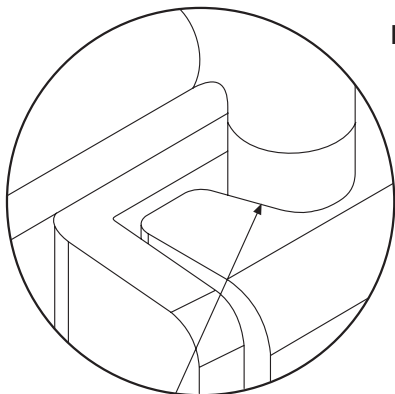
# Technical details and mounting examples

## Assembly instructions for steel wire cable trays

### Joint of straight elements with staples



Detail A



The specific profile of the staple allows, after having tightened the screws, to have earth continuity without using earthing terminals.

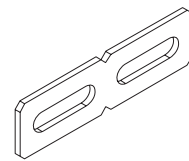
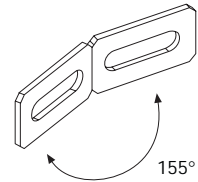
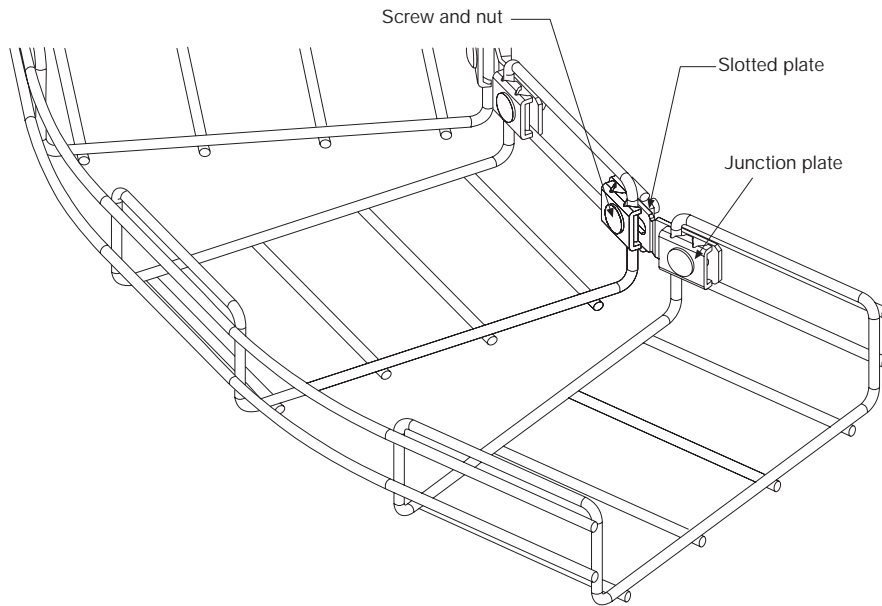
B (mm)	Q.ty art. 1SL9879A00	
	position 1	position 2
75	2	0
100	2	0
150	2	0
200	2	1
300	2	1
400	2	2
500	2	2

1SLC10023F0901

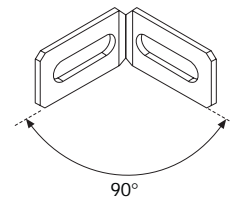
# Technical details and mounting examples

## Assembly instructions for steel wire cable trays

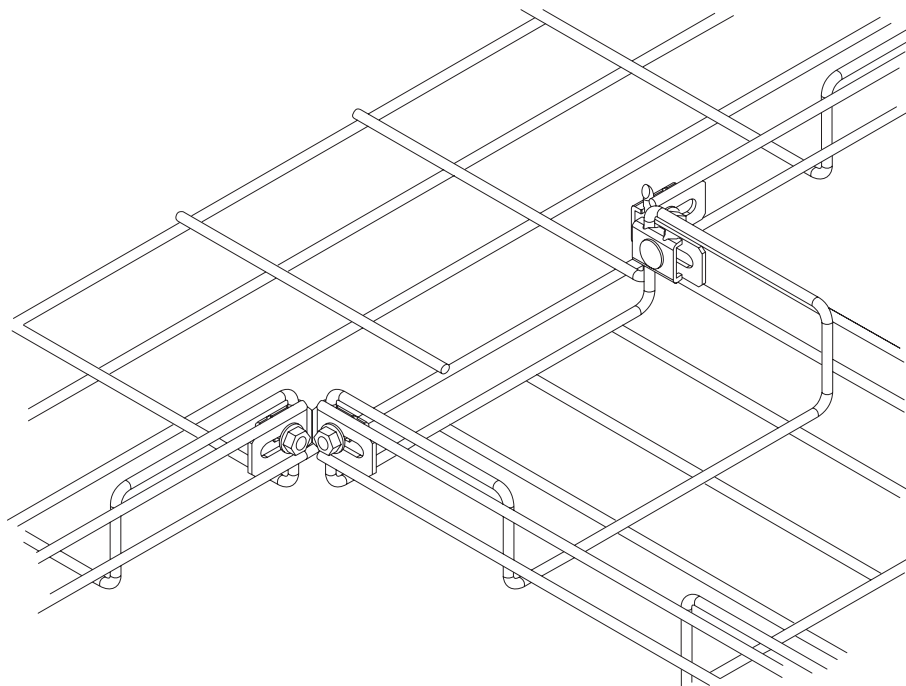
### Joint elements – Joint for bends and simple “T” branch connections art. 1SL9881A00



If you straighten the joint, it can be used for reductions (see relevant examples)



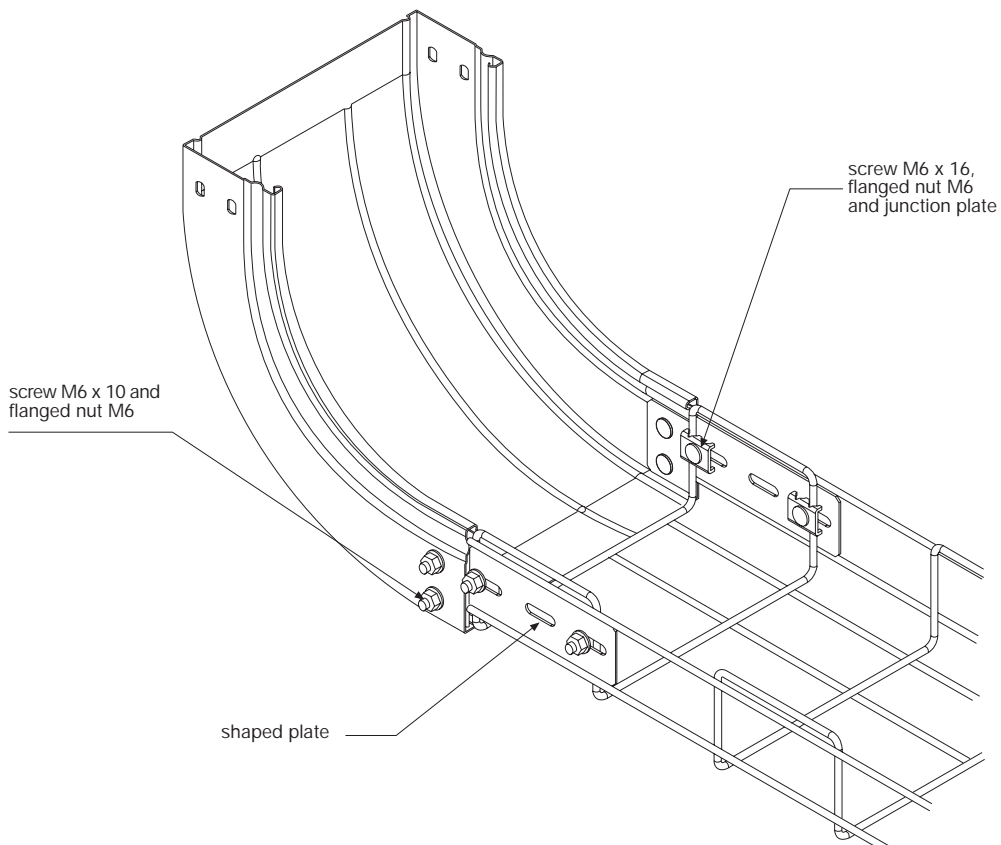
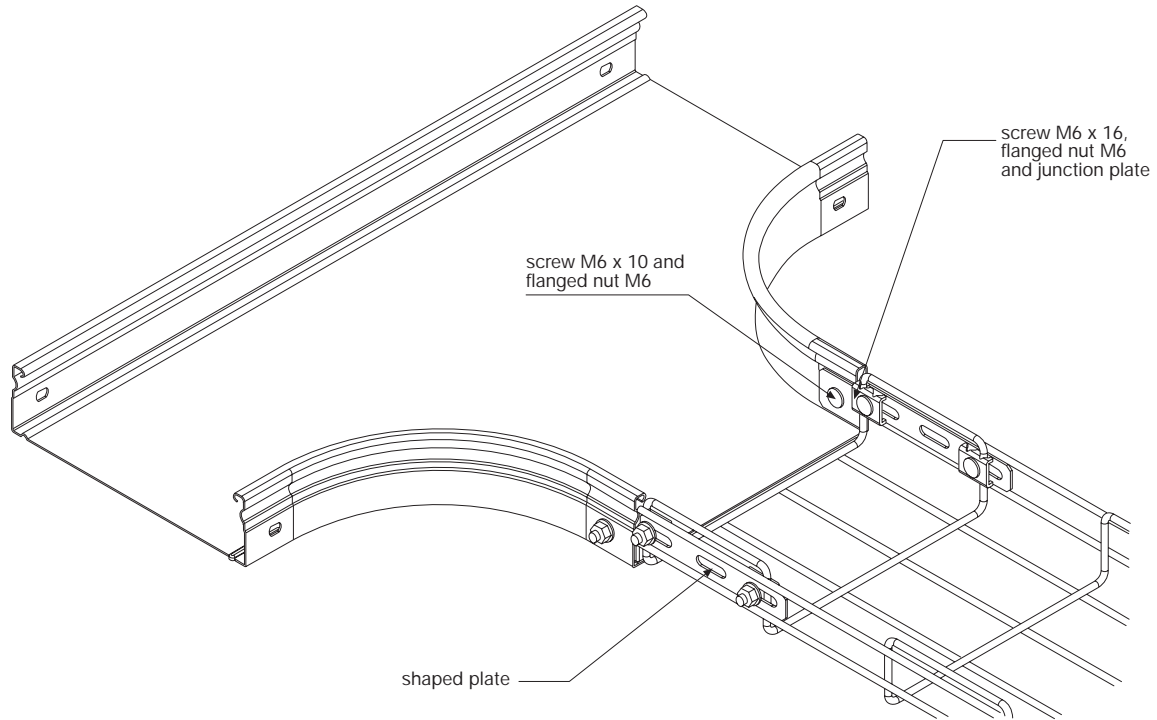
If you bend the joint by 90° it can be used for “T” branch connections at 90° on trunking measure P=100-200-300-400-500 mm



# Technical details and mounting examples

## Assembly instructions for steel wire cable trays

### Adapter joints for sendzimir accessories 1SL9888A00 - 1SL9889A00



11

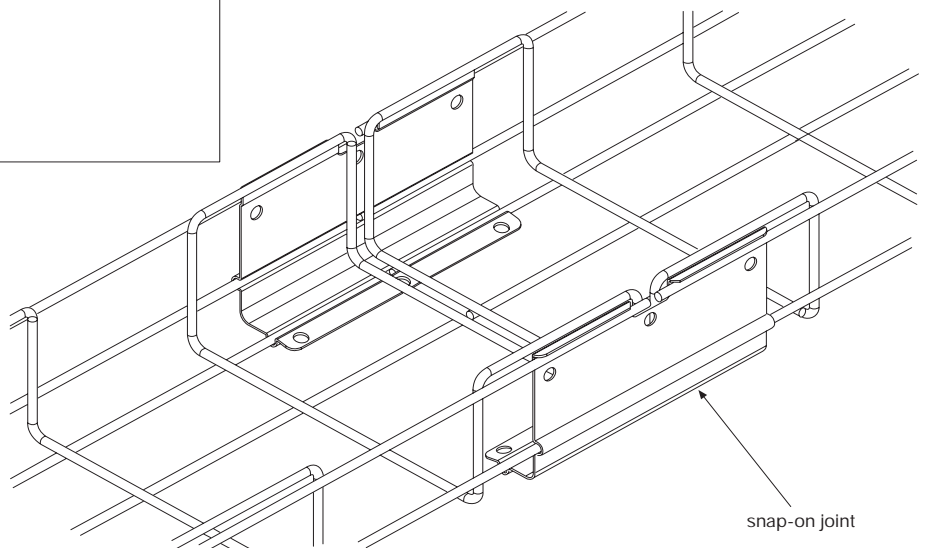
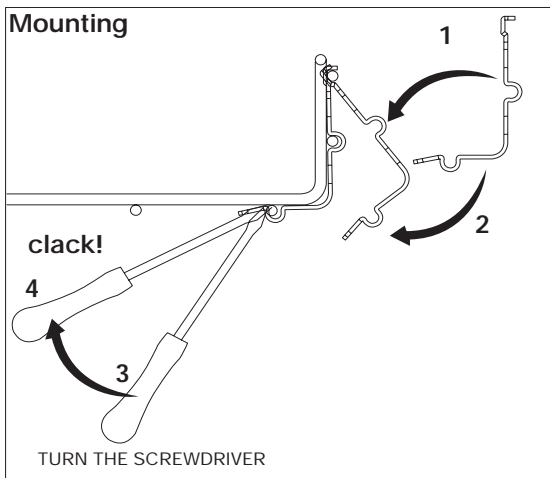
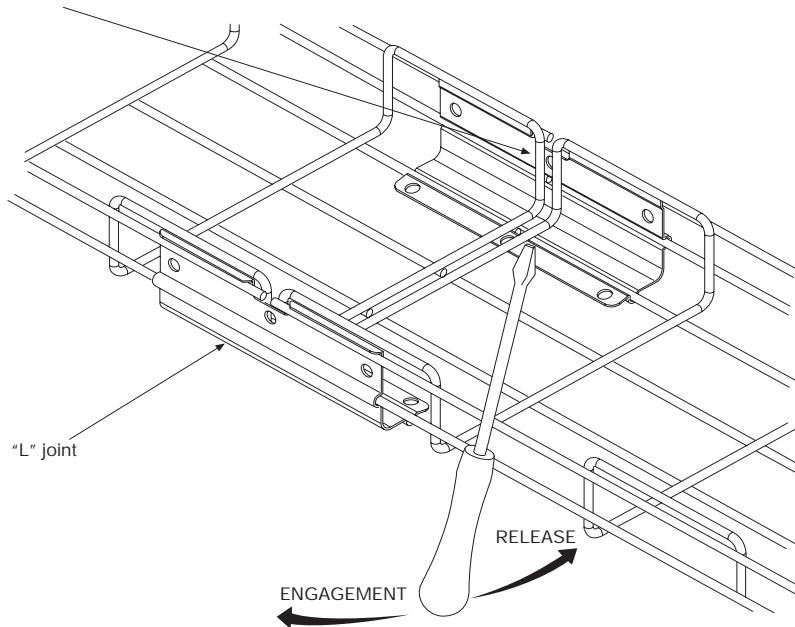
1SLC81004F0901

# Technical details and mounting examples

## Assembly instructions for steel wire cable trays

### Straight snap-on joints 1SL9907A00 - 1SL9886A00 - 1SL9887A00

Possibility to insert 1 earthing plate 1SL9884A00

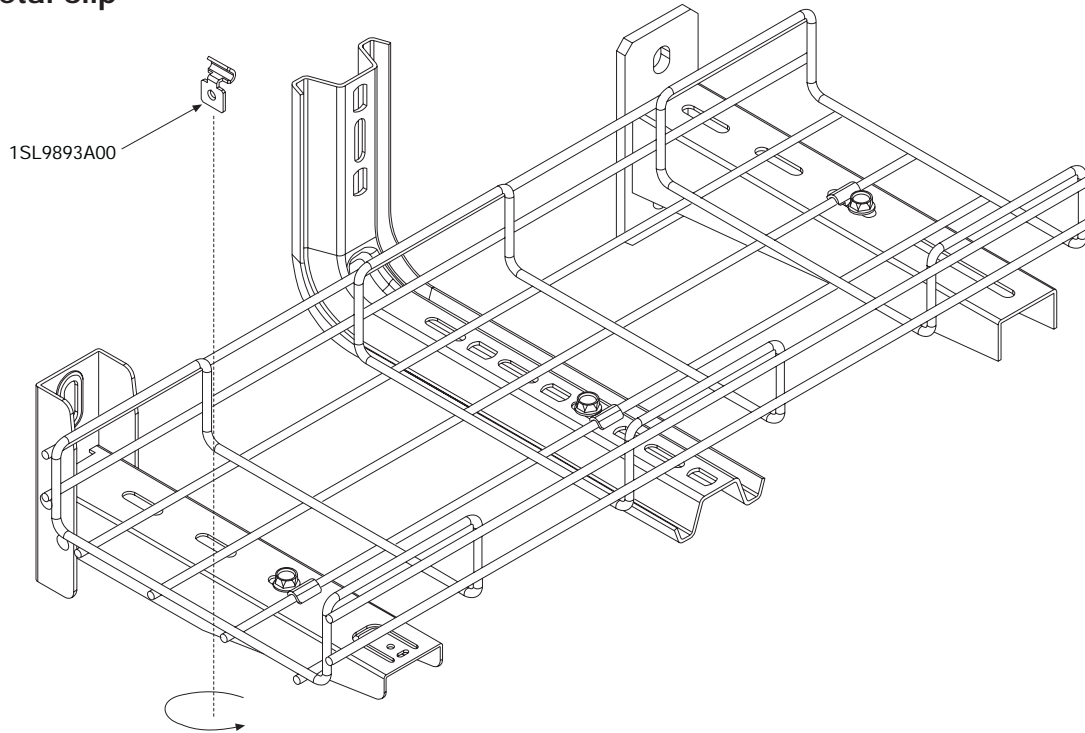


# Technical details and mounting examples

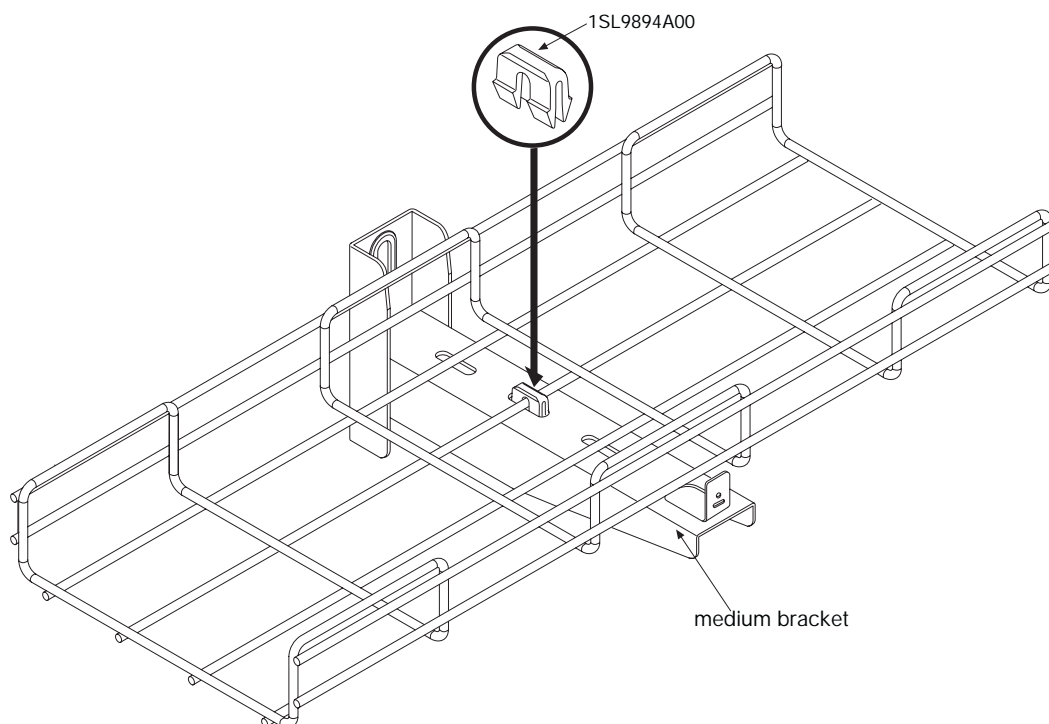
## Assembly instructions for steel wire cable trays

### Fixing elements

#### Metal clip



#### Plastic rapid fixing clip



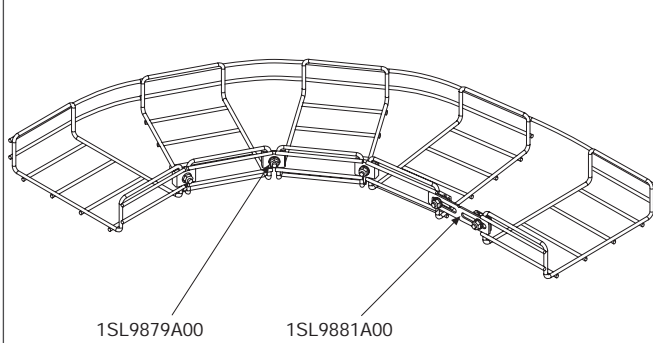
# Technical details and mounting examples

## Assembly instructions for steel wire cable trays

### Ample-radius bends with constant pitch

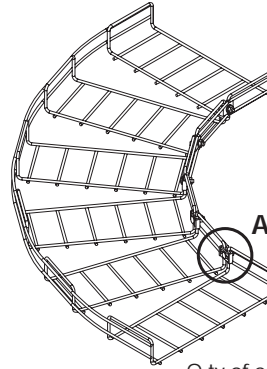
For cable trays B = 75-100-150-200-400-500 mm

For cable trays B = 300 mm



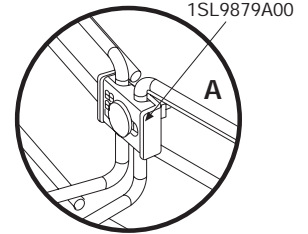
Q.ty of components for creating the bend

B (mm)	1SL9879A00	1SL9881A00
75	--	2
100	1	1
150	2	1
200	3	1
300	See table on the right	
400	6	1
500	7	1

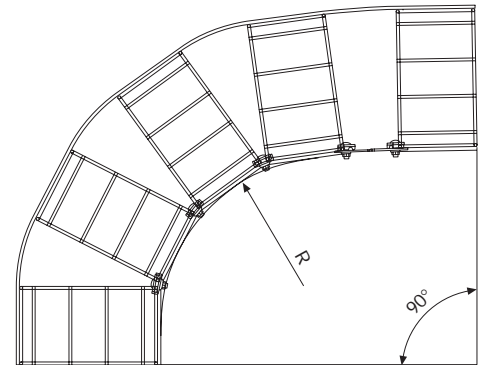
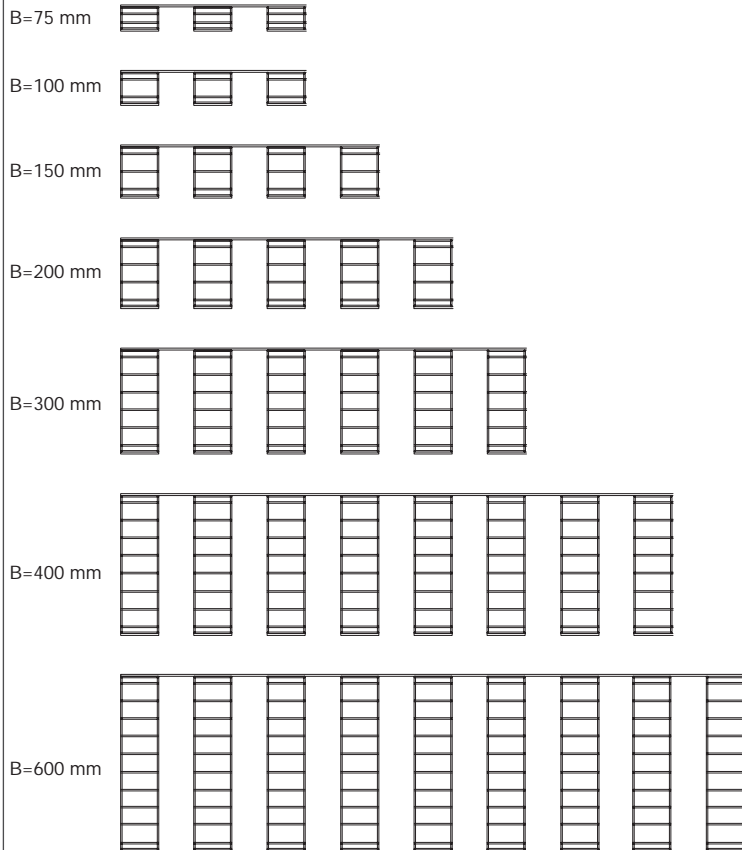


Q.ty of components for creating the bend

B (mm)	1SL9879A00
300	5



### Cutting schemes for the preparation of bends



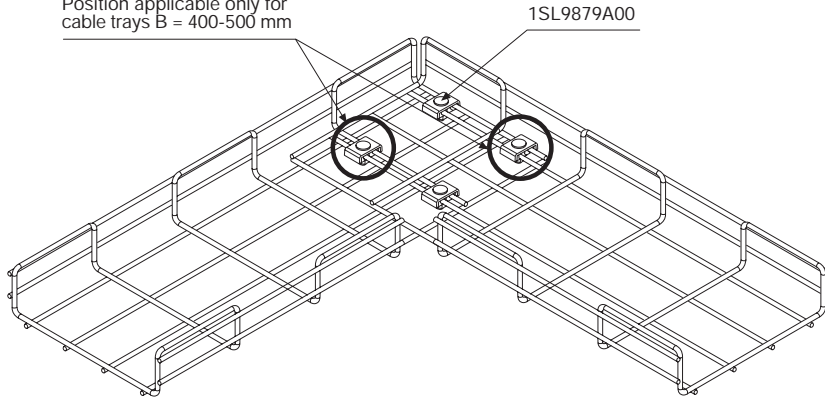
B (mm)	Minimum R (mm)
75	182
100	125
150	157
200	232
300	355
400	483
500	607

# Technical details and mounting examples

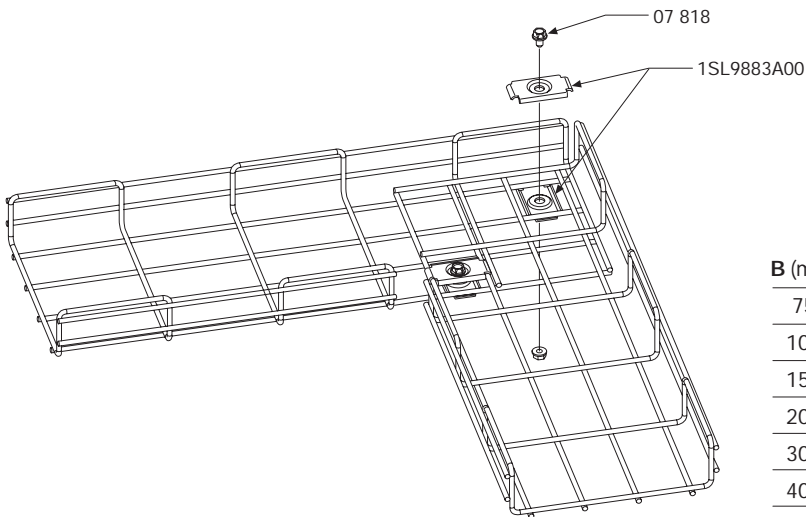
## Assembly instructions for steel wire cable trays

### 90° bends

Position applicable only for cable trays B = 400-500 mm

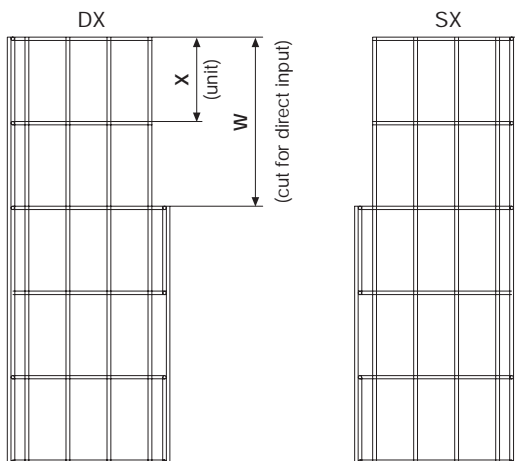


B (mm)	Q.ty of components for creating the bend	
	1SL9879A00	
75	1	
100	2	
150	2	
200	2	
300	3	
400	4	
500	4	



B (mm)	Q.ty of components for creating the bend	
	1SL9883A00	07 818
75	2	1
100	2	1
150	2	1
200	4	2
300	4	2
400	6	3
500	6	3

### Cut types according to the input type to be created and to the cable tray measurements



B (mm)	No. of "X" units to be cut	
	W	
75	1	
100	1	
150	2	
200	2	
300	3	
400	4	
500	5	

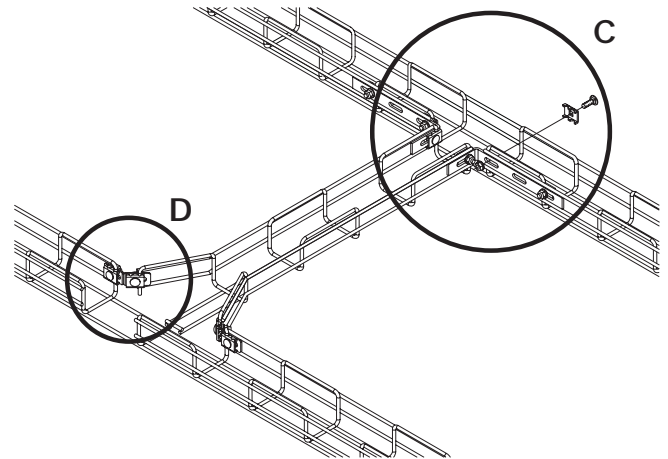
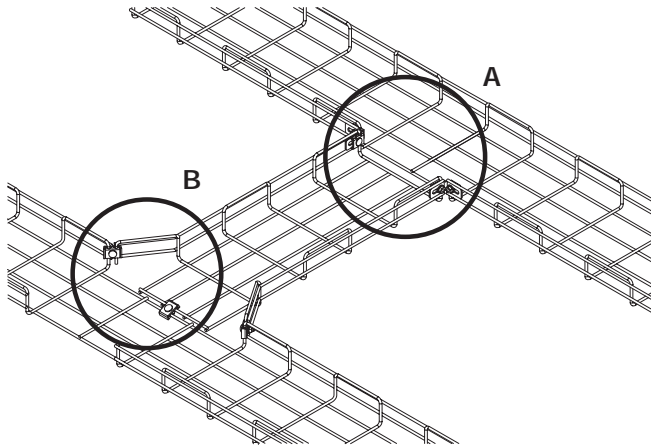
# Technical details and mounting examples

## Assembly instructions for steel wire cable trays

### "T" branch connection with direct input or with reduced radius input

For cable trays B = 100-200-300-400-500 mm

For cable trays B = 75-150 mm



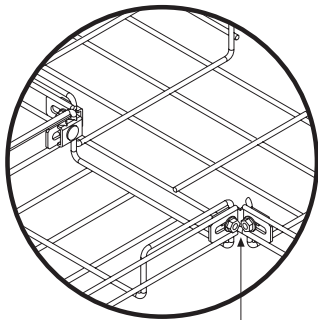
#### Junction types

A - Direct input

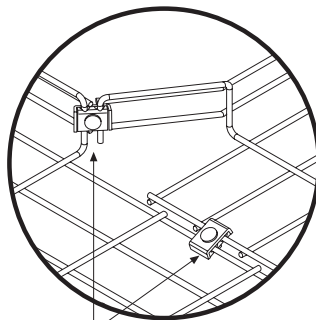
B - Reduced radius input

C - Direct input for  
B = 75 mm

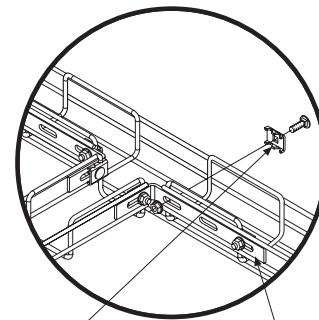
D - Reduced radius input for  
B = 75 mm



1SL9881A00  
90° bent

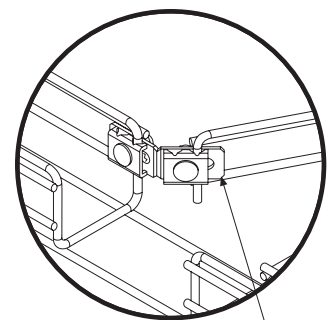


1SL9879A00



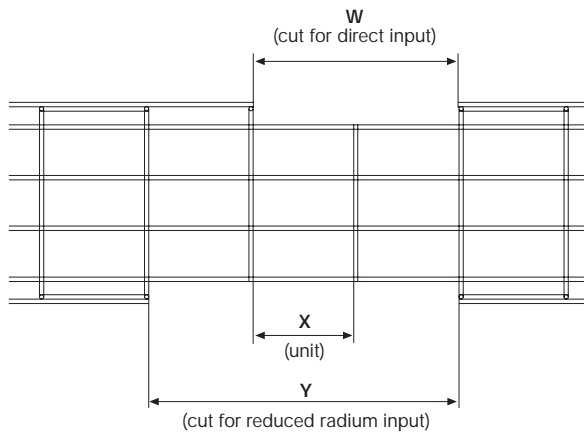
1SL9884A00

1SL9882A00



1SL9881A00

#### Cut types according to the input type to be created and to the cable tray measurements



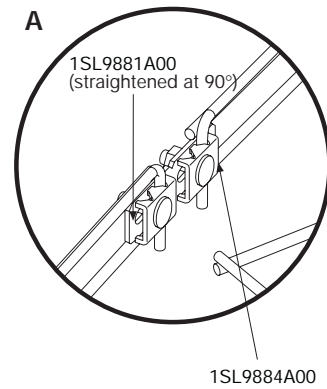
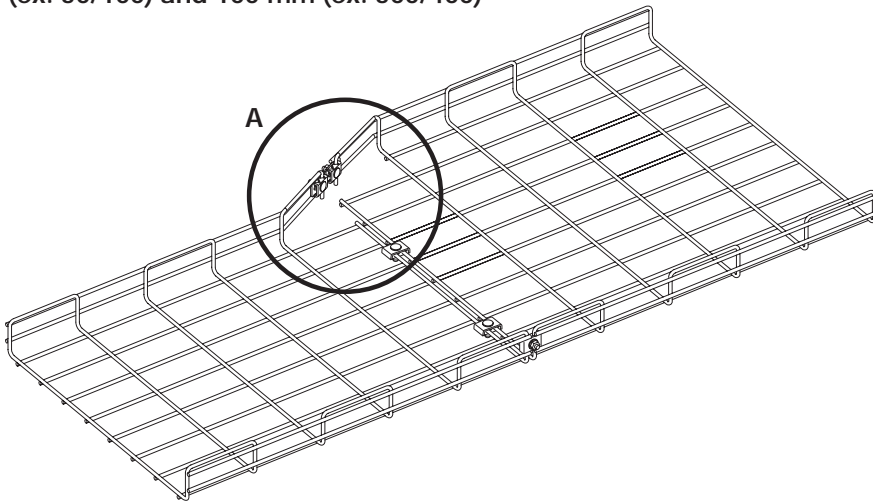
B (mm)	N° of "X" units to be cut	
	W	Y
75	1	2
100	1	2
150	2	3
200	2	3
300	3	4
400	4	5
500	5	6



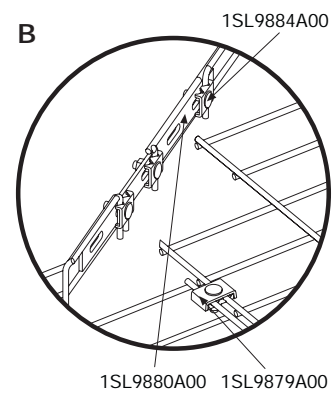
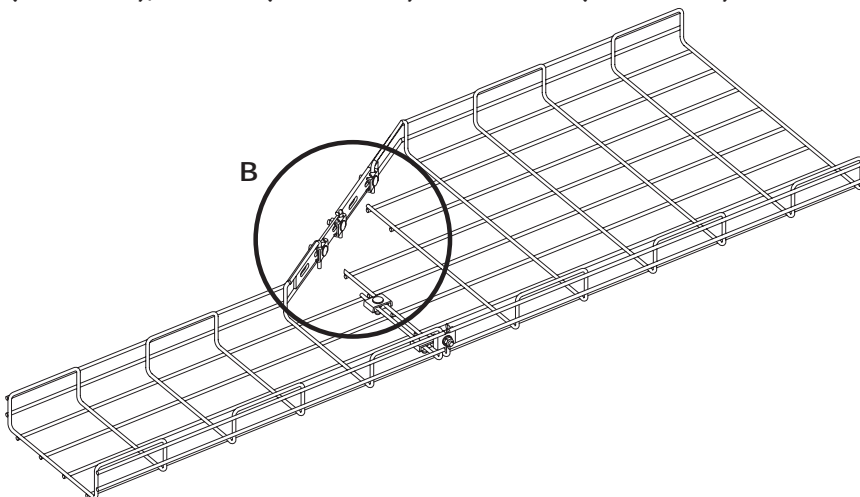
# Technical details and mounting examples

## Assembly instructions for steel wire cable trays

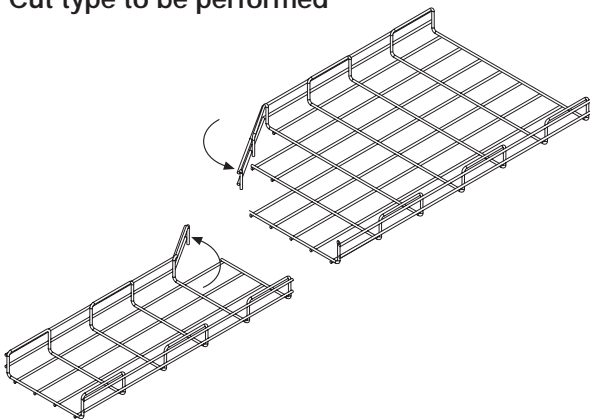
For 50 mm reductions  
(ex. 50/100) and 100 mm (ex. 500/400)



For 75 mm reductions  
(ex. 150/75), 150 mm (ex. 300/150) and 200 mm (ex. 400/200)



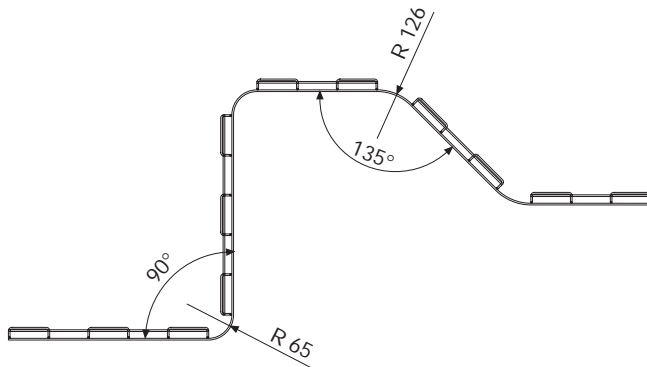
Cut type to be performed



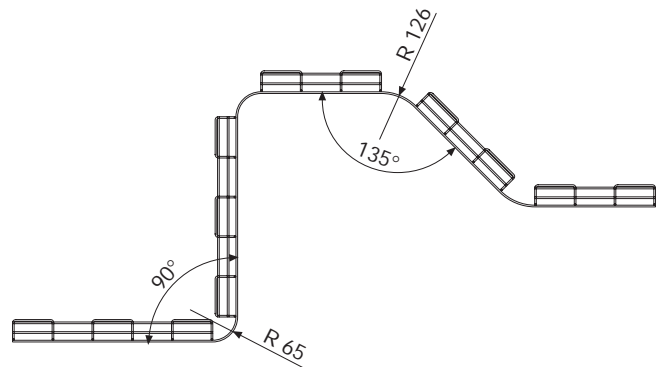
# Technical details and mounting examples

## Assembly instructions for steel wire cable trays

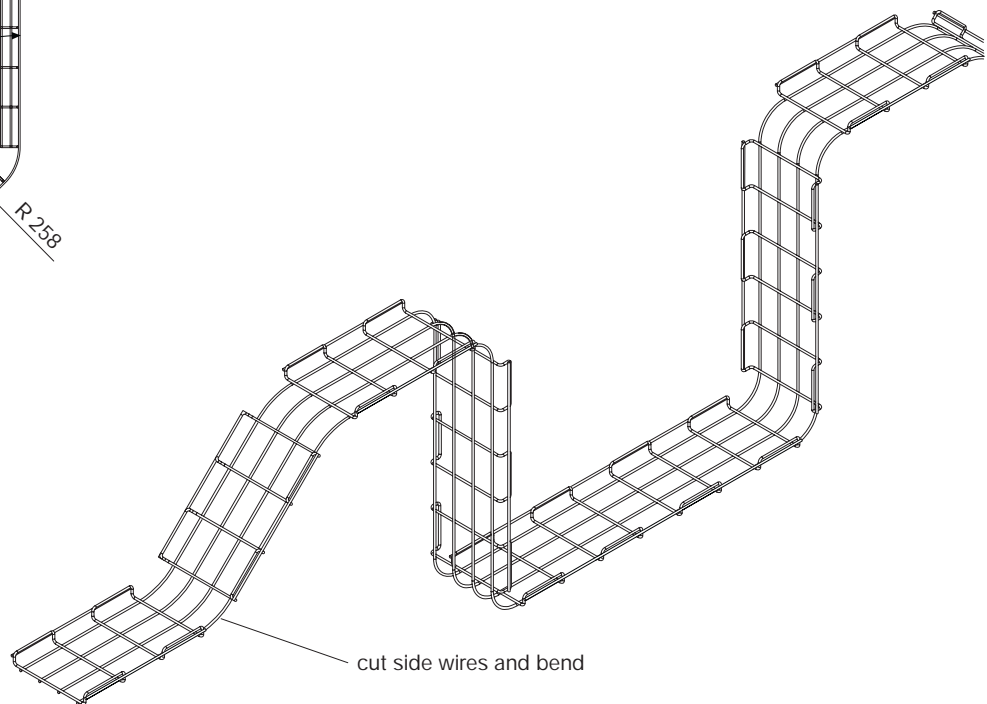
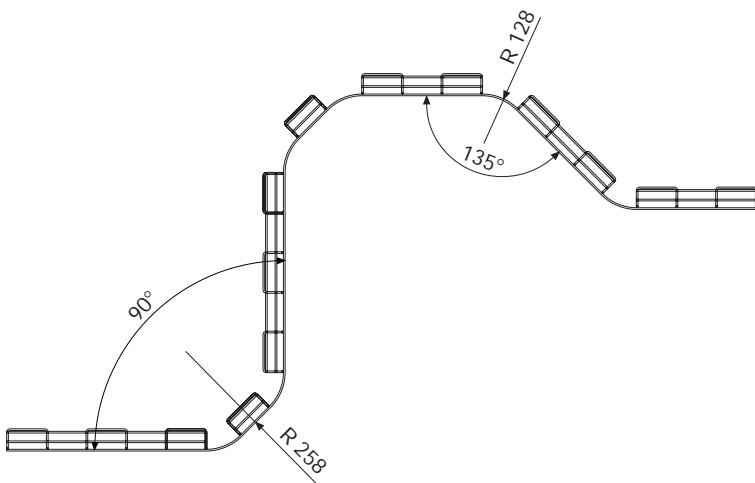
Cable tray H 35 mm



Cable tray H 50 mm



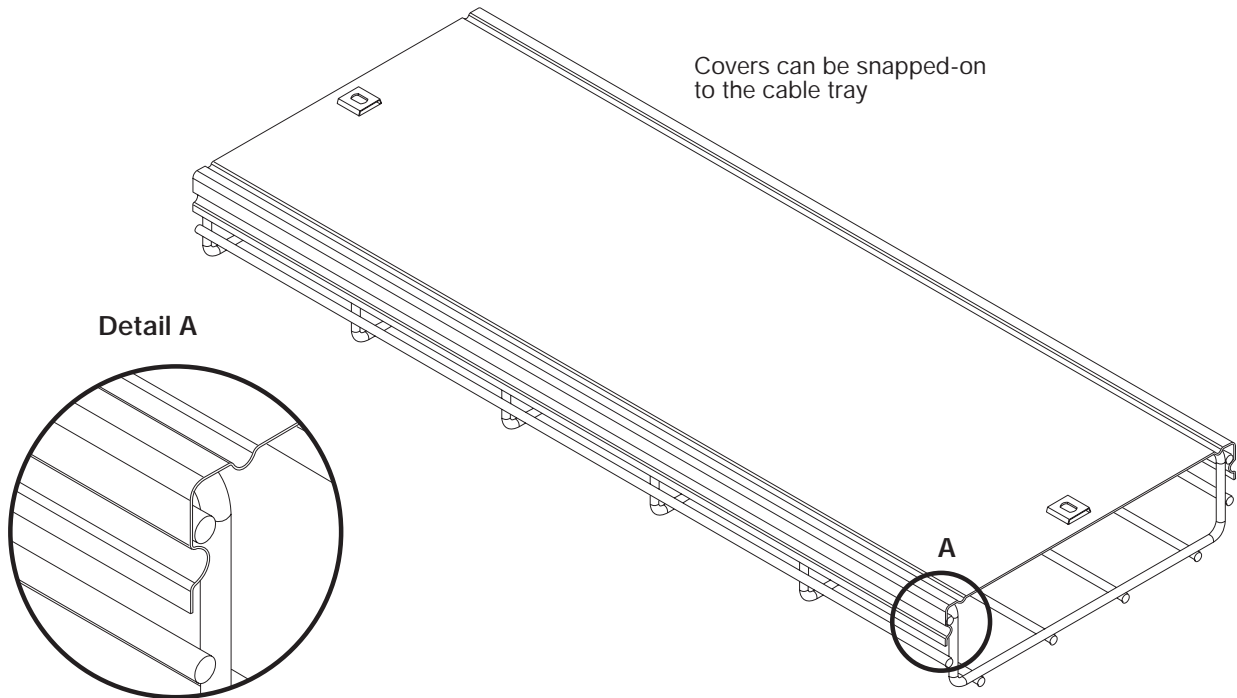
Cable tray H 75 mm



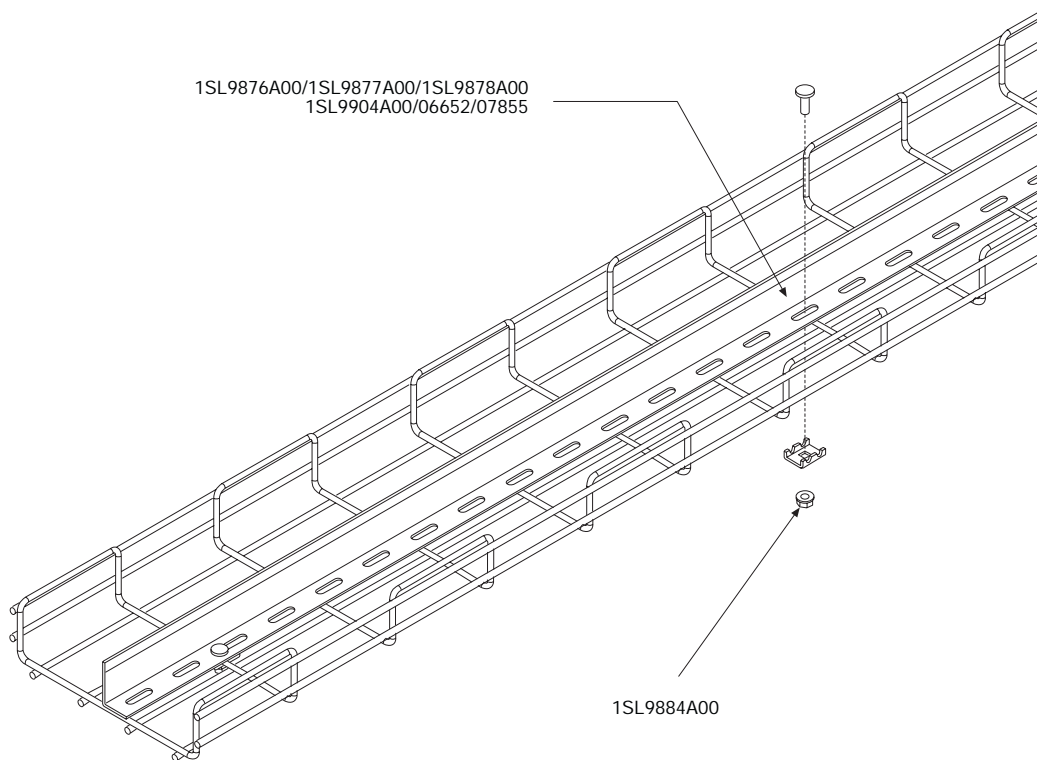
# Technical details and mounting examples

## Assembly instructions for steel wire cable trays

### Covers

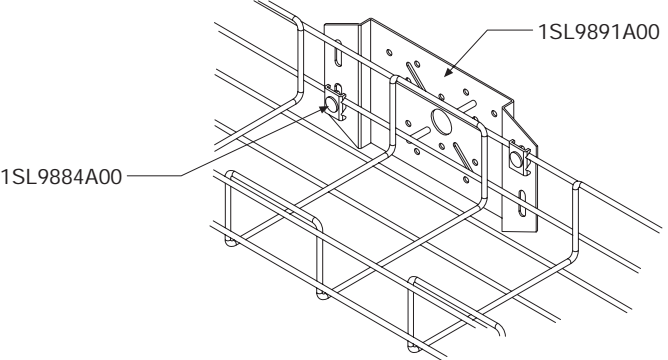
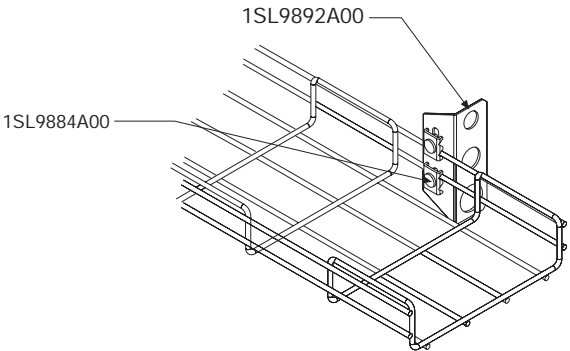
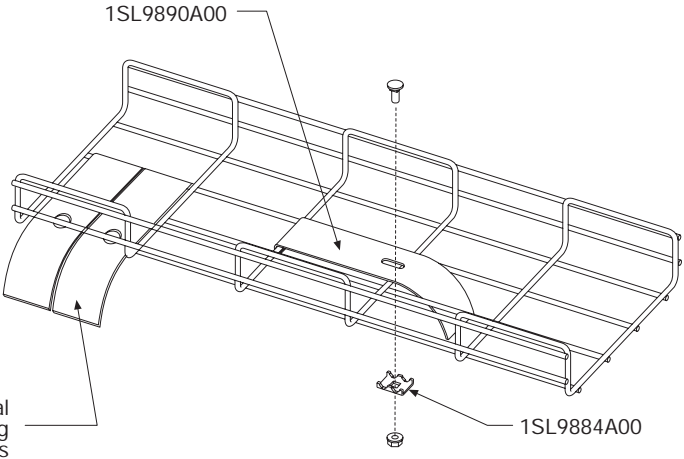
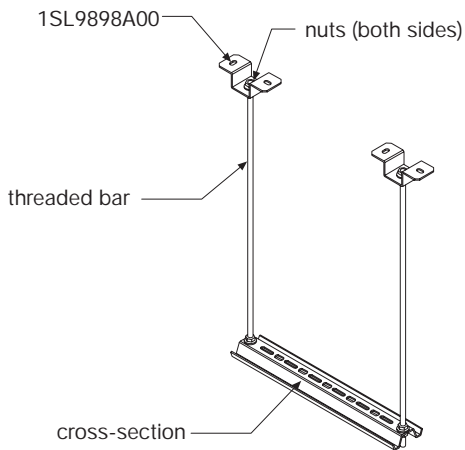


### Dividers



# Technical details and mounting examples

## Assembly instructions for steel wire cable trays



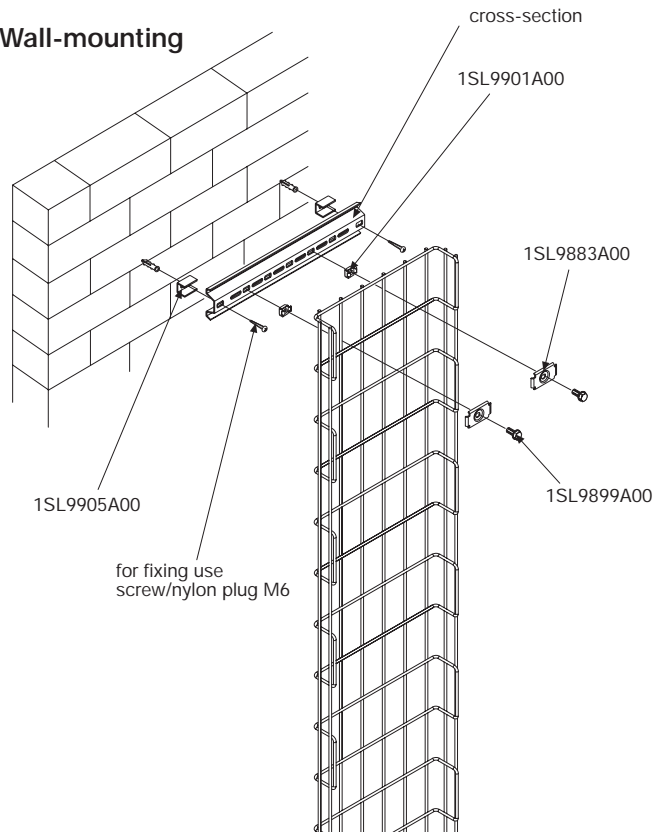
# Technical details and mounting examples

## Mounting examples

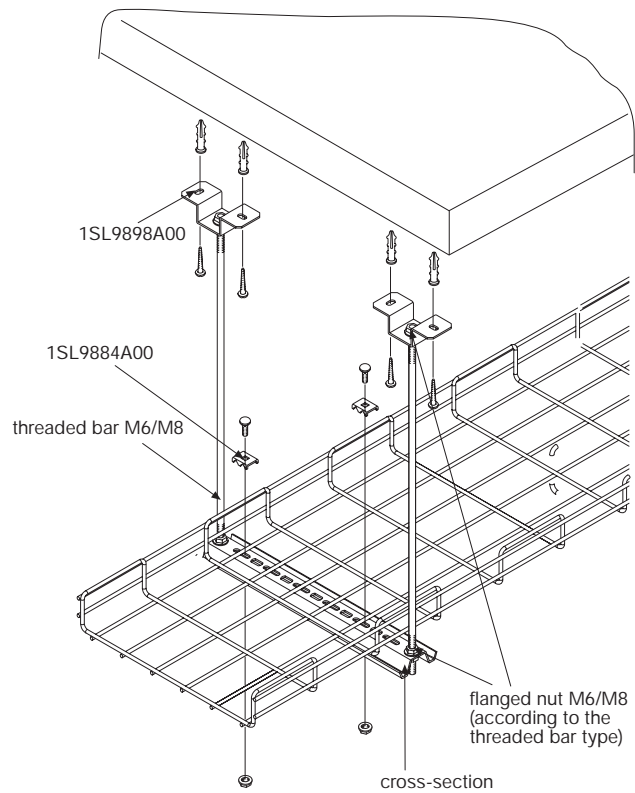
### Suspension systems for steel wire cable trays

#### Installation with cross-sections

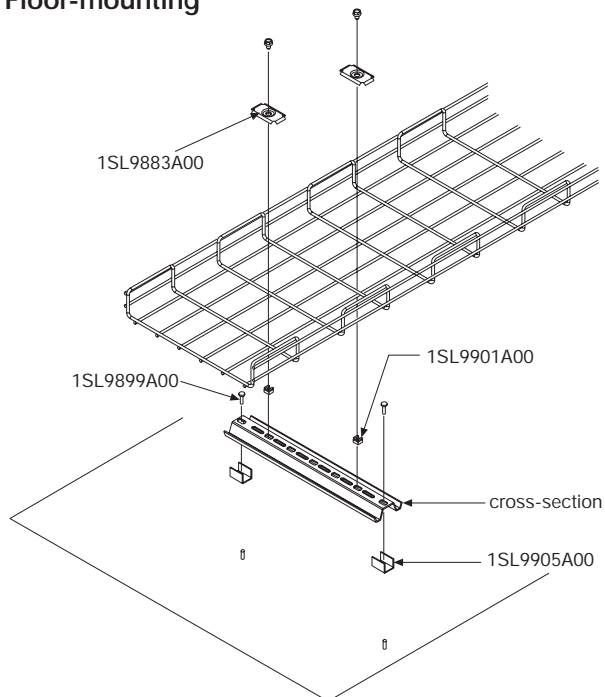
##### Wall-mounting



##### Ceiling-mounting



##### Floor-mounting



11

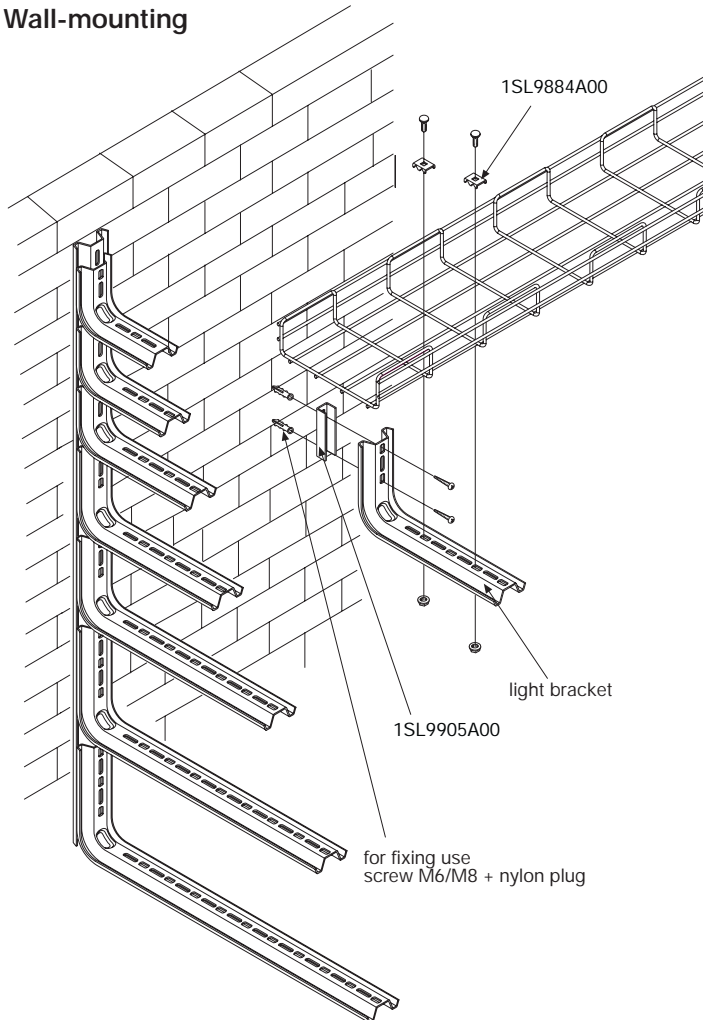
# Technical details and mounting examples

## Mounting examples

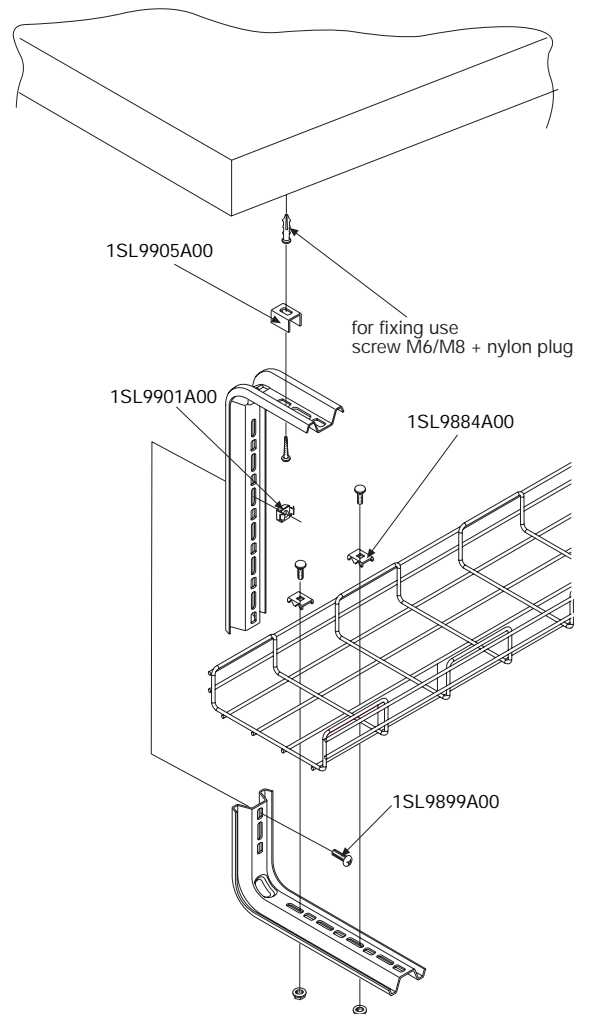
### Suspension systems for steel wire cable trays

#### Installation with light brackets

##### Wall-mounting



##### Ceiling-mounting



**Note** The drawing is only an example because the cable tray can also be fixed using art. 1SL9893A00.

1SLCS81003FF-0901

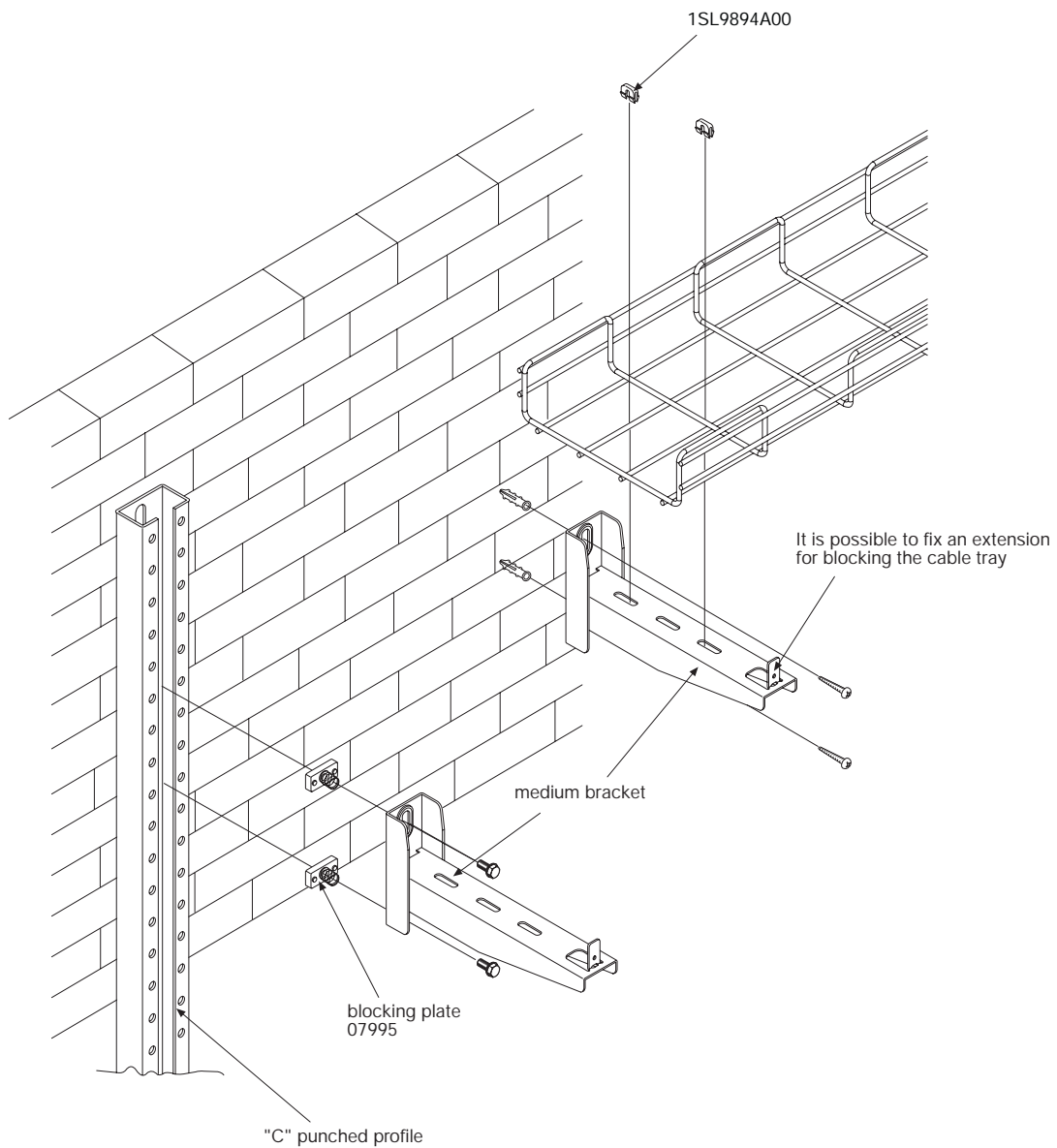
# Technical details and mounting examples

## Mounting examples

### Suspension systems for steel wire cable trays

#### Installation with medium brackets

#### Wall-mounting



**Note** The drawing is only an example because the cable tray can also be fixed using art. 1SL9893A00 and art. 1SL9884A00.

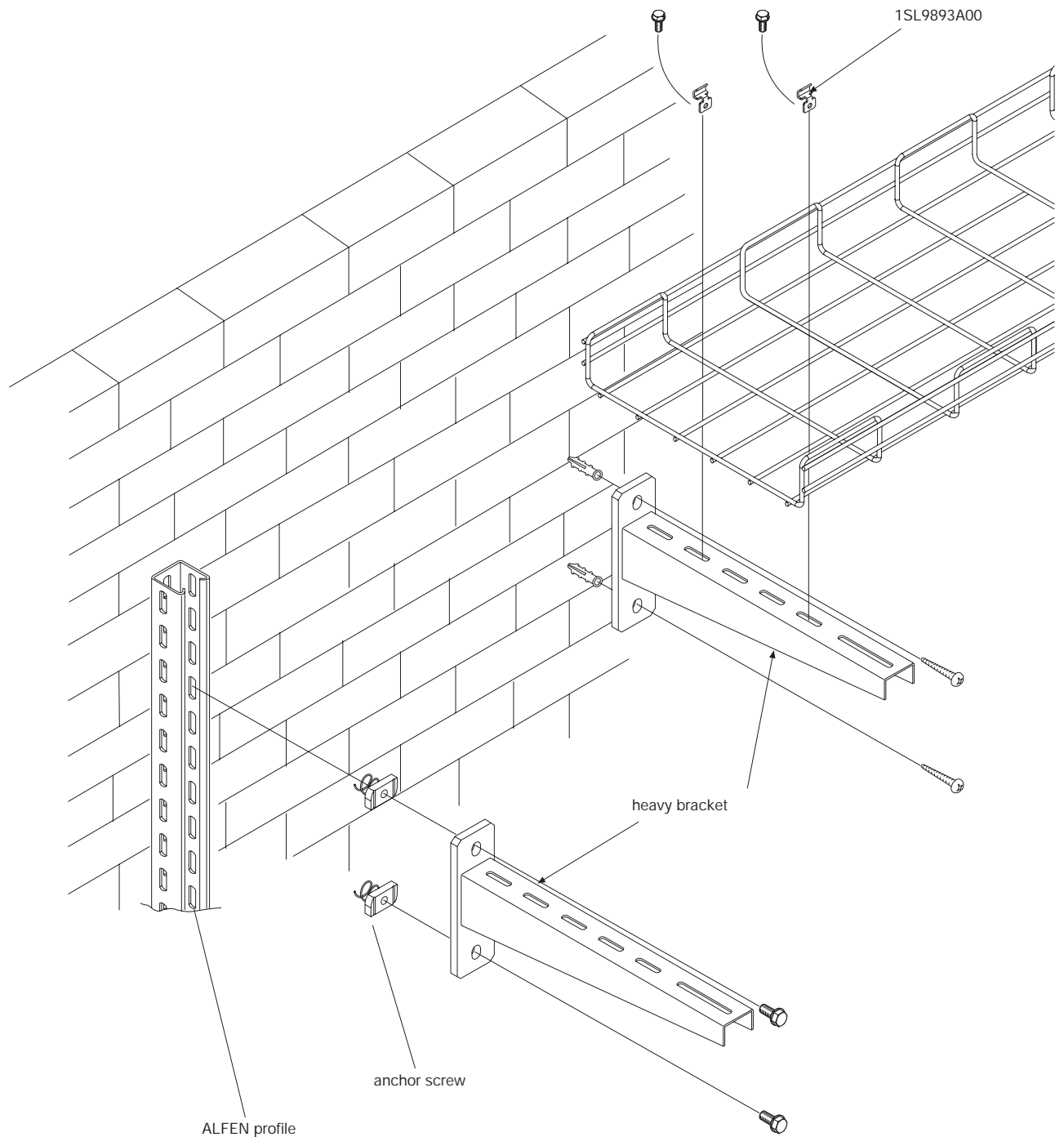
# Technical details and mounting examples

## Mounting examples

### Suspension systems for steel wire cable trays

#### Installation with heavy brackets

##### Wall-mounting



**Note** The drawing is only an example because the cable tray can also be fixed using art. 1SL9893A00 and art. 1SL9884A00.

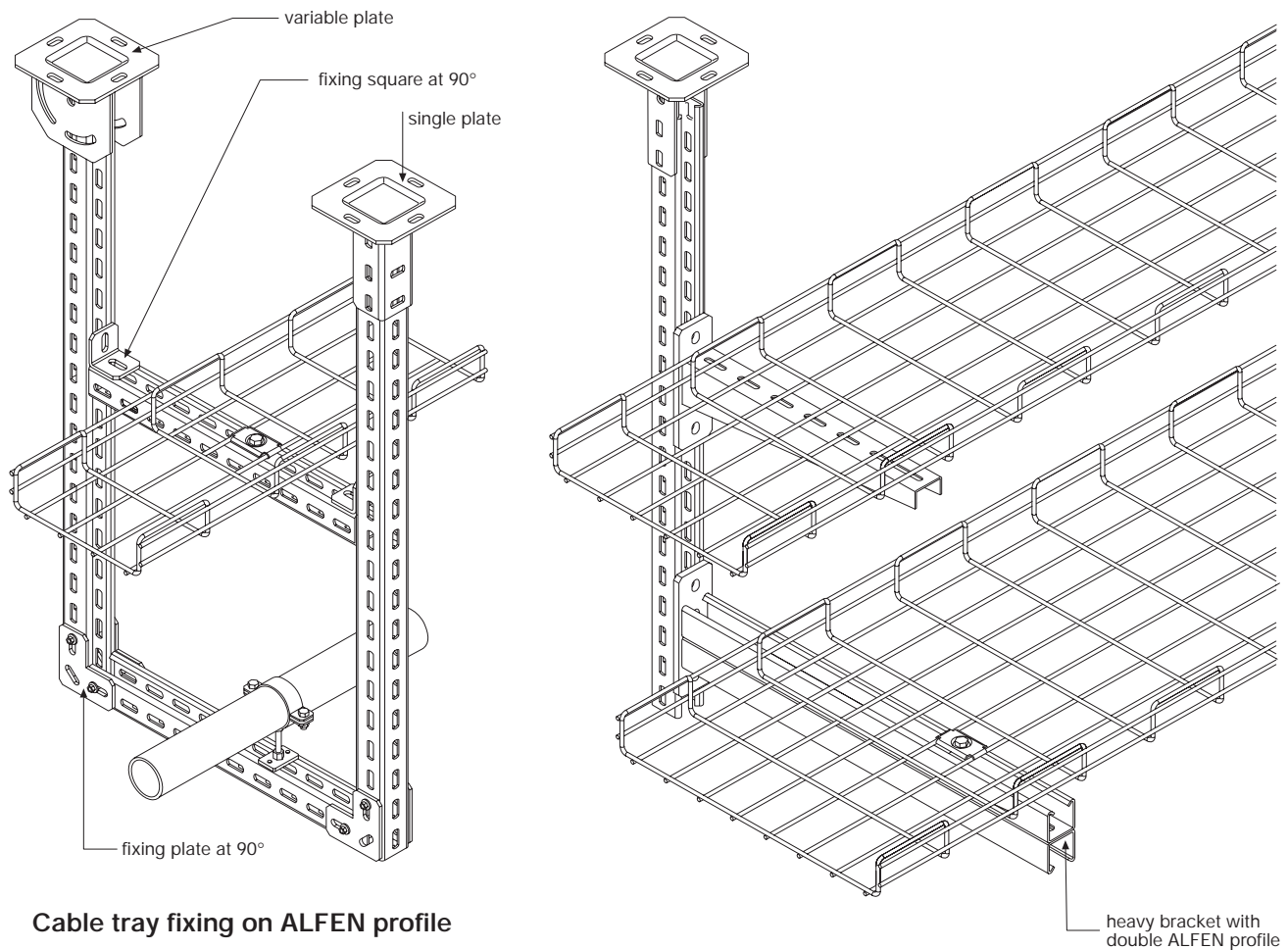


# Technical details and mounting examples

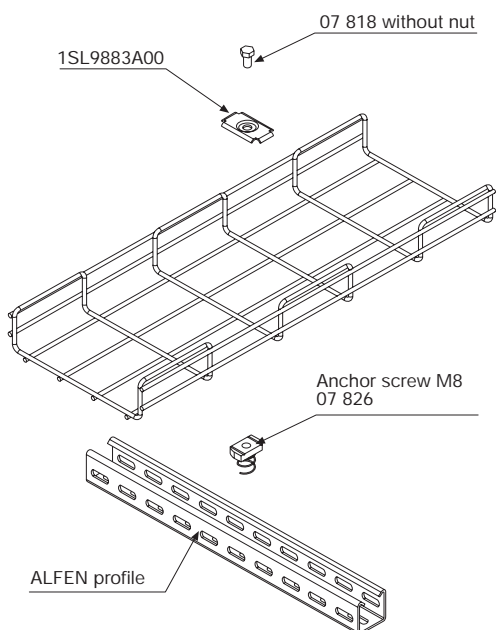
## Mounting examples

### Suspension systems for steel wire cable trays

#### Preparation of a heavy system



#### Cable tray fixing on ALFEN profile



11

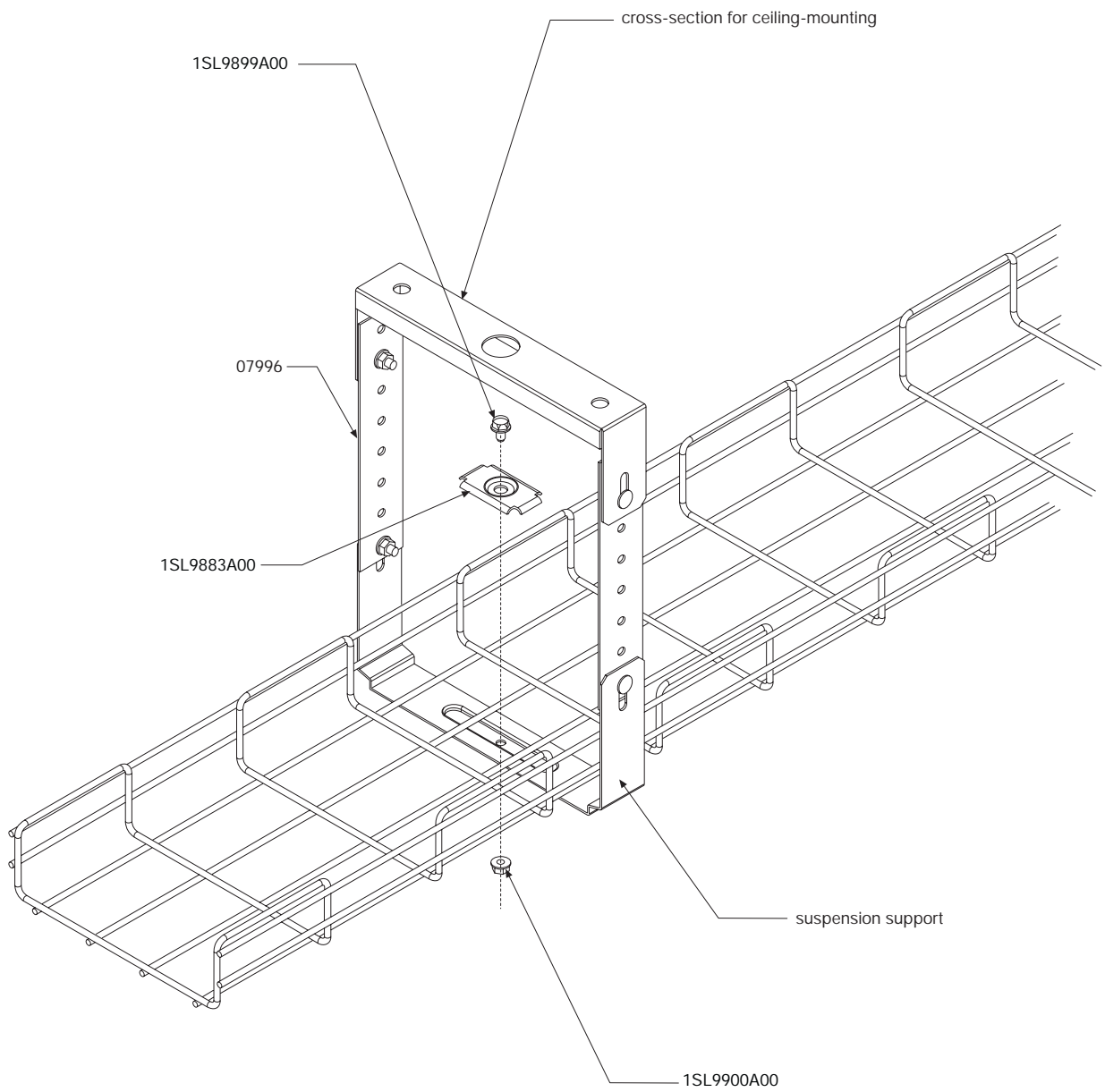
1SLCR10011F0901

# Technical details and mounting examples

## Mounting examples

### Suspension systems for steel wire cable trays

#### Ceiling-mounting with cross-section and suspension support



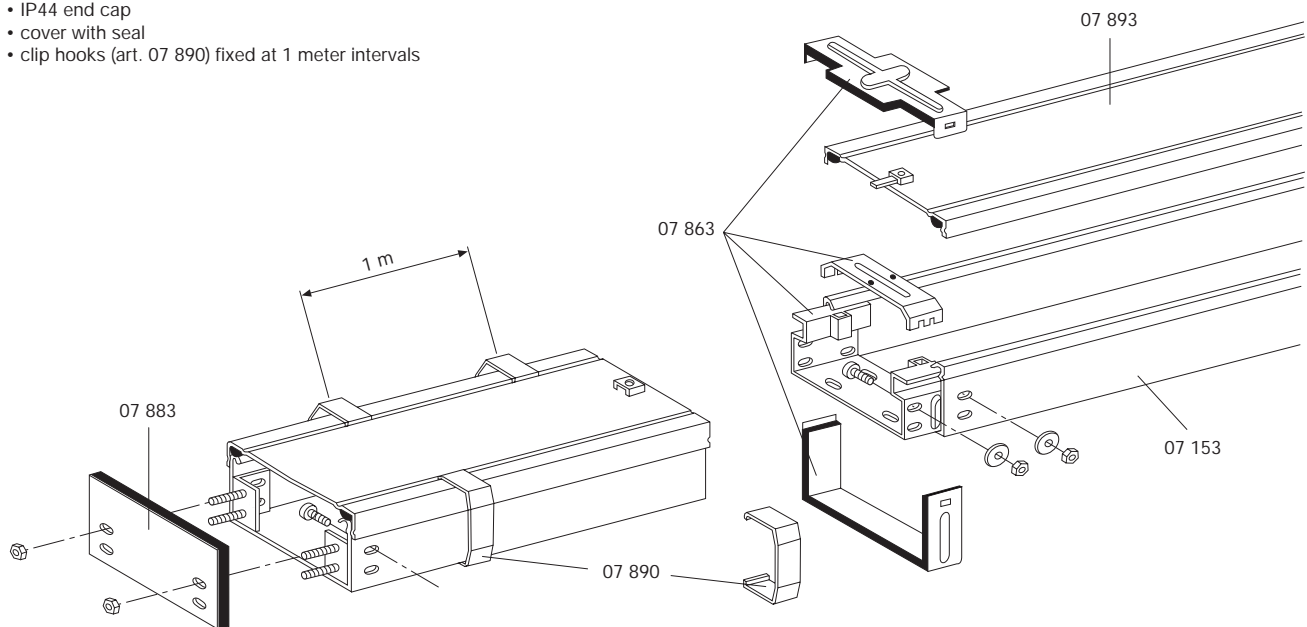
# Technical details and mounting examples

## Mounting examples

### Sendzimir trunkings H 75

#### Mounting system for IP44 trunking

- IP44 joint
- IP44 end cap
- cover with seal
- clip hooks (art. 07 890) fixed at 1 meter intervals

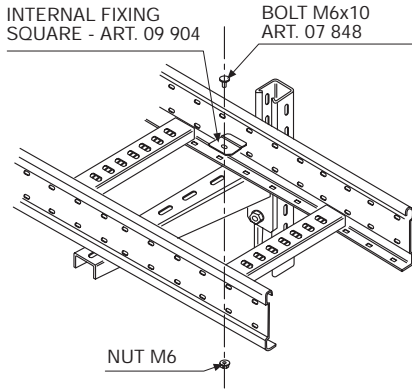


# Technical details and mounting examples

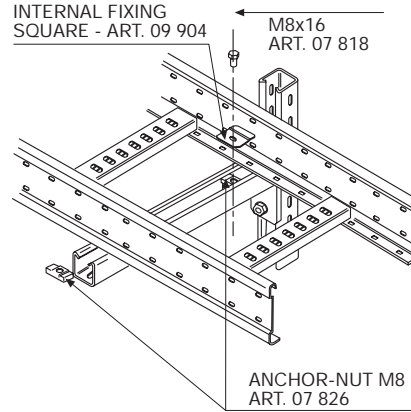
## Mounting examples

### Hot dip galvanised after production cable trays

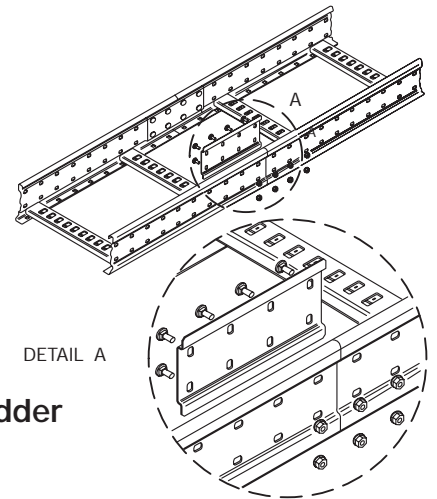
#### Mounting a cable ladder on heavy brackets



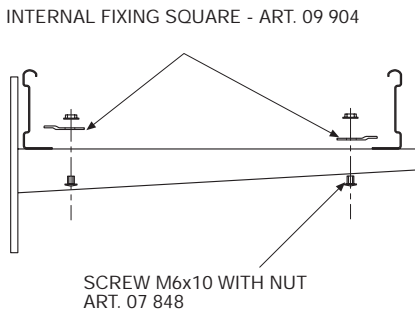
#### Mounting a cable ladder on Alfen brackets



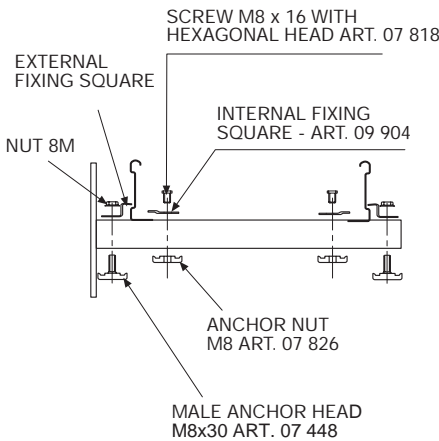
#### Straight joint of a cable ladder and closed/punched base art. 09 760-09 763-09 766



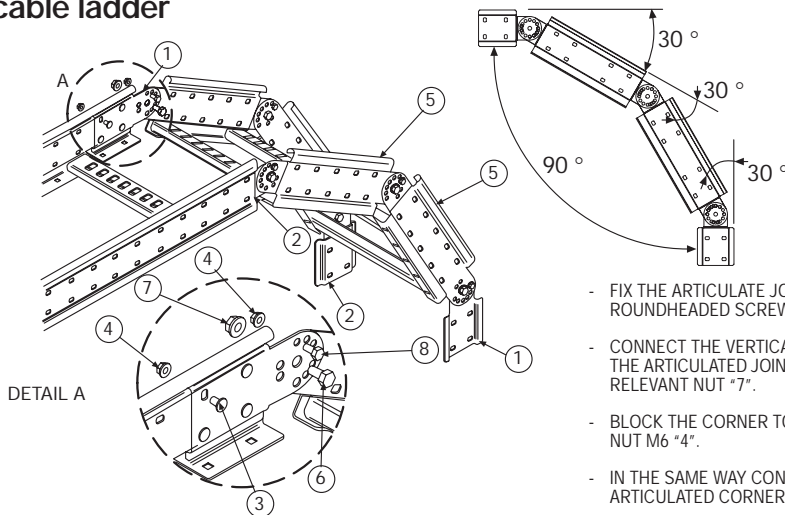
#### Scheme for fixing a cable ladder on heavy brackets



#### Scheme for fixing a cable ladder on Alfen profile brackets



### Instructions for mounting vertical inside/vertical outside rider articulated corner of cable ladder



- FIX THE ARTICULATE JOINTS "1" - "2" TO THE CABLE LADDER WITH THE APPROPRIATE ROUNDHEADED SCREWS "3" AND NUTS "4".
- CONNECT THE VERTICAL INSIDE/VERTICAL OUTSIDE RIDER ARTICULATED CORNER "5" TO THE ARTICULATED JOINT USING, AS A PIN, HEXAGONAL HEAD SCREWS M8x16 "6" AND THE RELEVANT NUT "7".
- BLOCK THE CORNER TO THE JOINT WITH THE HEXAGONAL HEAD SCREWS M6x12 "8" AND NUT M6 "4".
- IN THE SAME WAY CONNECT THE TWO VERTICAL INSIDE/VERTICAL OUTSIDE RIDER ARTICULATED CORNERS "5" ONE TO THE OTHER

15LCB0050F0901

# Technical details and mounting examples

## Guide to selecting suspension systems for industrial trunkings

### Guide to selecting suspension systems for trunkings and cable trays

Mounting example

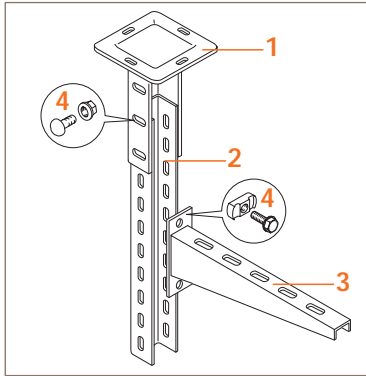


**1**  
Anchorage plates

**2**  
Profiles

**3**  
Brackets

**4**  
Fastening components



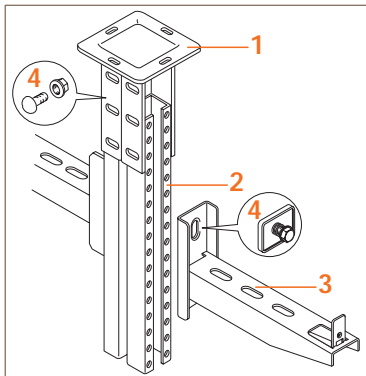
07 984

"U" punched  
07 956  
07 926  
1SL9895A00  
1SL9896A00  
1SL9897A00

07 785 - 07 786 - 07 787  
07 788 - 07 789 - 07 790  
09 770 - 09 771 - 09 772  
09 773 - 09 774 - 09 775  
09 776 - 09 777 - 09 778  
09 779

plates - profiles  
Screw 07 849 with nut  
Screw 07 818 with nut  
Screw 07 448 with nut

brackets - profiles  
Screw 07 851 with anchorage nut



07 988 - 07 989 - 08 852

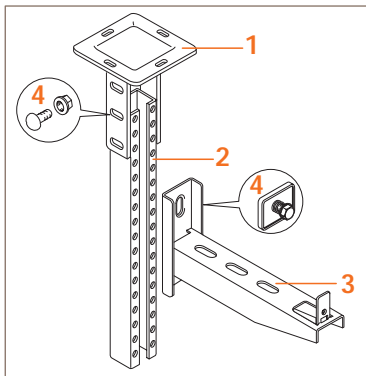
"C"  
07 992 - 07 993 - 08 861

07 901 - 07 902 - 07 903  
07 904 - 07 905 - 07 906  
07 907 - 07 911 - 07 912  
07 913 - 07 914 - 07 915  
07 916 - 07 917

plates - profiles  
Screw 07 849 with nut  
Screw 07 818 with nut

brackets - profiles  
Blocking plate  
07 995

08 901 - 08 902 - 08 903  
08 904 - 08 905 - 08 906  
08 907



07 986 - 07 987 - 08 851

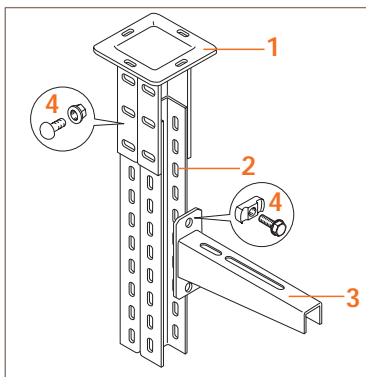
"C"  
07 992 - 07 993 - 08 861

07 901 - 07 902 - 07 903  
07 904 - 07 905 - 07 906  
07 907 - 07 911 - 07 912  
07 913 - 07 914 - 07 915  
07 916 - 07 917

plates - profiles  
Screw 07 849 with nut  
Screw 07 818 with nut

brackets - profiles  
Blocking plate  
07 995

08 901 - 08 902 - 08 903  
08 904 - 08 905 - 08 906  
08 907



07 949  
With bolts for attaching profile

"U" punched  
07 927

07 785 - 07 786 - 07 787  
07 788 - 07 789 - 07 790  
09 770 - 09 771 - 09 772  
09 773 - 09 774 - 09 775  
09 776 - 09 777 - 09 778  
09 779

plates - profiles

brackets - profiles  
Screw 07 851 with anchorage nut

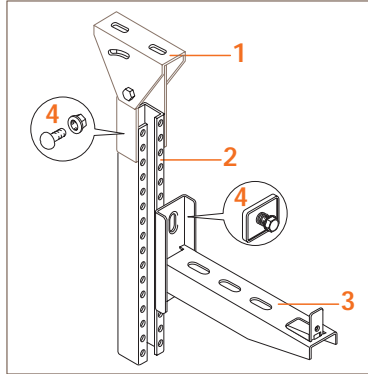
1SLC8065-H0901

# Technical details and mounting examples

## Guide to selecting suspension systems for industrial trunkings

### Guide to selecting suspension systems for trunkings and cable trays

Mounting example



**1**  
Anchorage plates

07 990 - 07 991 - 08 853  
With bolts for attaching profile

**2**  
Profiles

"C"  
07 992 - 07 993 - 08 861

**3**  
Brackets

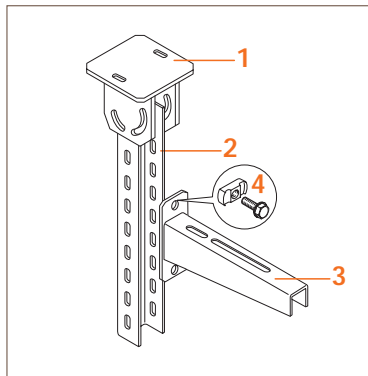
07 901 - 07 902 - 07 903  
07 904 - 07 905 - 07 906  
07 907 - 07 911 - 07 912  
07 913 - 07 914 - 07 915  
07 916 - 07 917

08 901 - 08 902 - 08 903  
08 904 - 08 905 - 08 906  
08 907

**4**  
Fastening components

plates - profiles  
-

brackets - profiles  
Blocking plate 07 995



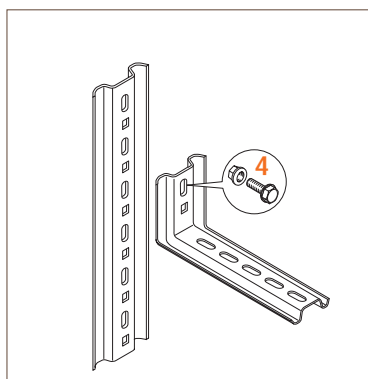
07 985  
With bolts for attaching profile

"U" punched  
07 956  
07 927  
1SL9895A00  
1SL9896A00  
1SL9897A00

07 785 - 07 786 - 07 787  
07 788 - 07 789 - 07 790  
09 770 - 09 771 - 09 772  
09 773 - 09 774 - 09 775  
09 776 - 09 777 - 09 778  
09 779

plates - profiles  
-

brackets - profiles  
Screw 07 851 with anchorage nut



light pressed  
07 960

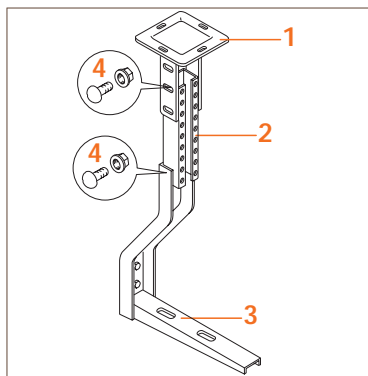
light pressed  
07 960

07 671 - 07 672 - 07 673  
07 674 - 07 675 - 07 676  
07 677 - 07 681 - 07 682  
07 683 - 07 684 - 07 685  
07 686 - 07 687

08 881 - 08 882 - 08 883  
08 884 - 08 885 - 08 886  
08 887

plates - profiles  
-

brackets - profiles  
Screw 07 818 with nut  
Screw 07 849 with nut



07 986 - 07 987 - 08 851

"C"  
07 992 - 07 993 - 08 861

07 908 - 07 909 - 07 918  
07 919 - 08 811 - 08 812

plates - profiles  
Screw 07 849 with nut  
Screw 07 818 with nut

mensole - profili  
Screw 07 849 with nut  
Screw 07 818 with nut

1SLC80055F0901





## Index

Trunkings for air-conditioning installations .....	12/2
Mini-trunkings .....	12/4
Feeder and cable trunkings .....	12/9
Design styled cable trunkings .....	12/14
Skirting and dado trunkings .....	12/18
Floor trunkings .....	12/22
Industrial plastic trunkings .....	12/23
Halogen free wiring ducts .....	12/26
Thermoplastic wiring ducts .....	12/27
Steel wire cable trays .....	12/30
Sendzimir trunkings H 50 .....	12/32
Sendzimir trunkings H 75 .....	12/38
Cable trays - hot dip galvanised after production .....	12/45
Cable trays with electrogalvanization .....	12/50
Suspension systems for industrial trunkings .....	12/51

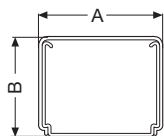
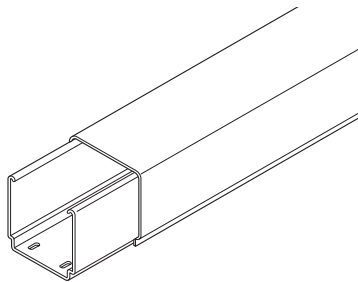


# Overall dimensions

## Trunkings for air-conditioning installations

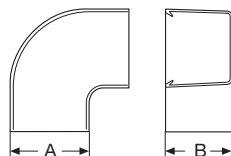
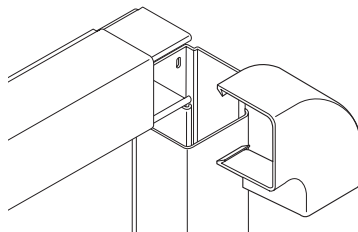
### Trunkings for air-conditioning installations

#### Trunkings with cover



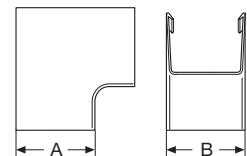
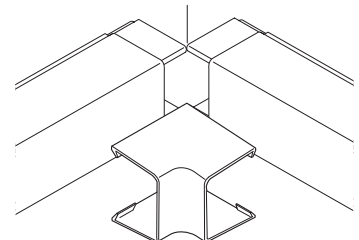
article	A	B
1SL9200A00	60	40
1SL9201A00	80	60
1SL9202A00	100	60

#### 90° flat corner



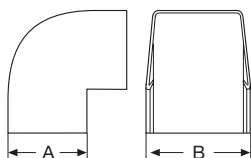
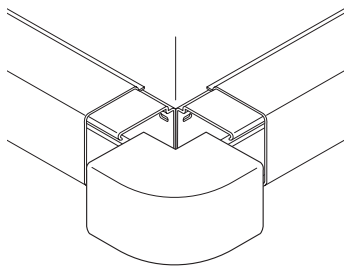
article	A	B
1SL9210A00	60	40
1SL9211A00	80	60
1SL9212A00	100	60

#### 90° internal corner



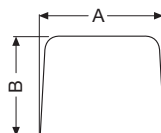
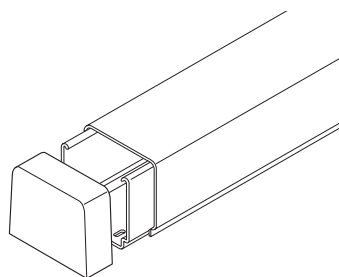
article	A	B
1SL9215A00	60	40
1SL9216A00	80	60
1SL9217A00	100	60

#### 90° external corner



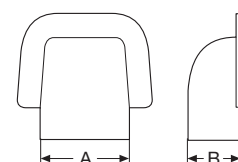
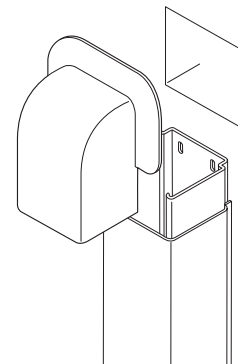
article	A	B
1SL9220A00	60	40
1SL9221A00	80	60
1SL9222A00	100	60

#### End cap



article	A	B
1SL9225A00	60	40
1SL9226A00	80	60
1SL9227A00	100	60

#### Curved wall fitting



article	A	B
1SL9230A00	60	40
1SL9231A00	80	60
1SL9232A00	100	60

12

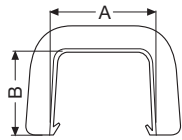
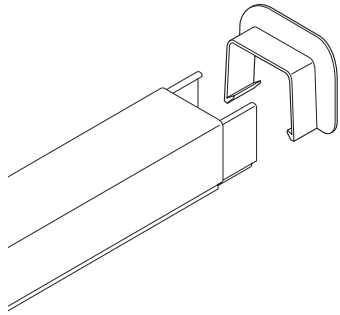
1SLC810009001

# Overall dimensions

## Trunkings for air-conditioning installations

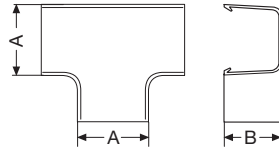
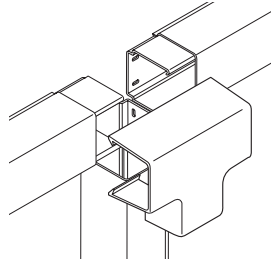
### Trunkings for air-conditioning installations

Linear wall fitting



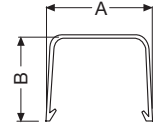
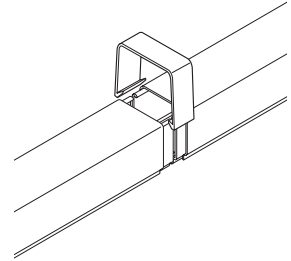
article	A	B
1SL9235A00	60	40
1SL9236A00	80	60
1SL9237A00	100	60

Tee branch



article	A	B
1SL9240A00	60	40
1SL9241A00	80	60
1SL9242A00	100	60

Joint cover



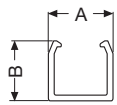
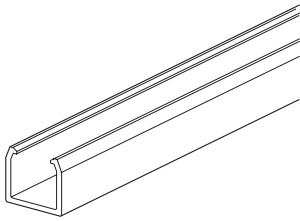
article	A	B
1SL9245A00	60	40
1SL9246A00	80	60
1SL9247A00	100	60

# Overall dimensions

## Mini-trunkings

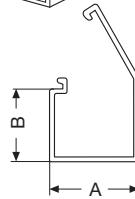
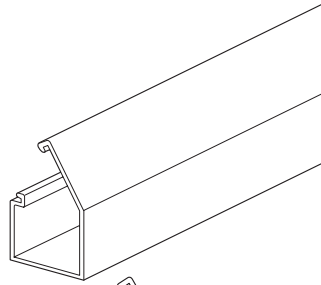
### Self-adhesive mini-trunking

Mini-trunking without cover



article	A	B
41 010	7.5	7
41 015	10	9
41 020	12	11

Mini-trunking with hinged cover



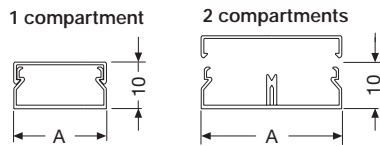
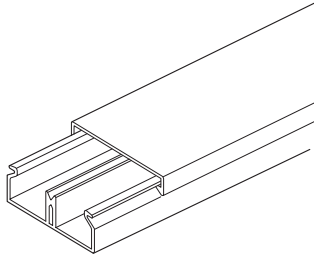
article	A	B
41 040	9	4.5
41 045	12.5	7
41 050	12.5	12,5
41 055	17	17

# Overall dimensions

## Mini-trunkings

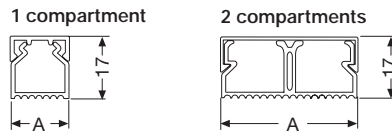
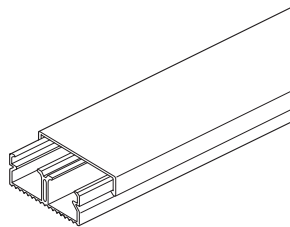
### Mini-trunking

Mini-trunking H 10 with standard cover



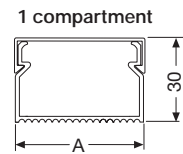
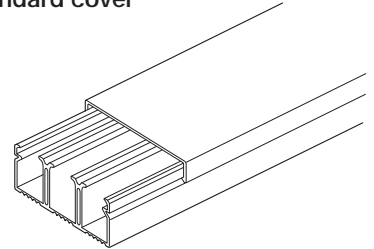
article	compartments	A
41 080	1	20
41 081	2	20
41 083	1	30
41 084	2	30

Mini-trunking H 17 with standard cover



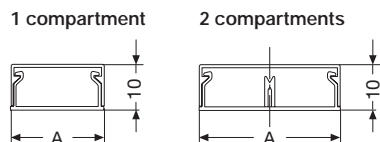
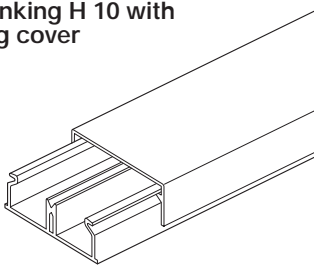
article	compartments	A
41 110 - 01 160 - 01 180	1	15
41 091	1	30
41 092	2	40
41 093	3	60

Mini-trunking H 30 with standard cover



article	compartments	A
01 117	1	25
01 119	1	40

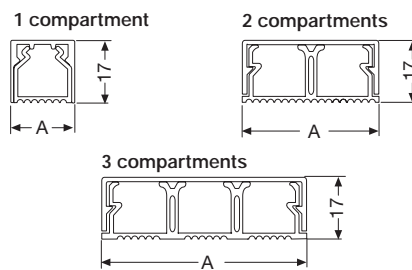
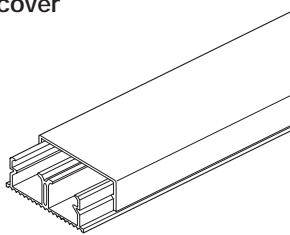
Mini-trunking H 10 with adhering cover



article	compartments	A
41 101 - 01 151 - 01 171	1	20
01 102	2	20
01 103	1	30
01 104	2	30
01 106	2	40

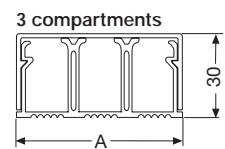
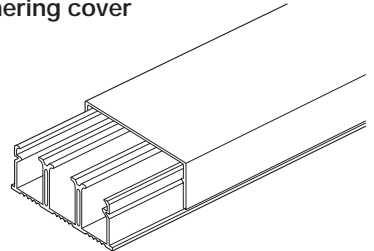
VLC00003

Mini-trunking H 17 with adhering cover



article	compartments	A
41 111	1	15
41 113 - 01 163 - 01 183	1	30
41 114	2	30
41 115	2	40
41 116	3	60

Mini-trunking H 30 with adhering cover

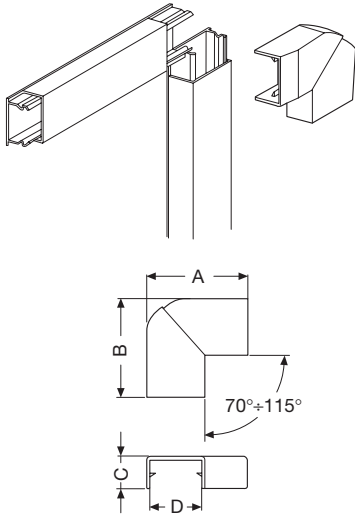


article	compartments	A
41 120	3	60

# Overall dimensions

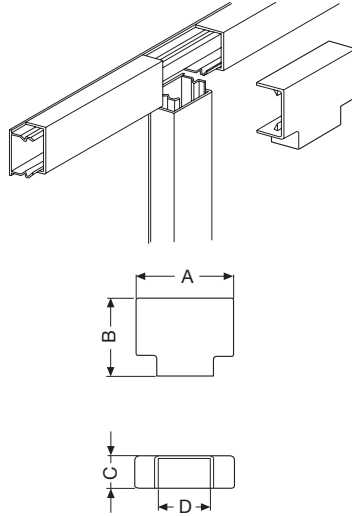
## Mini-trunkings

### Adjustable flat corner



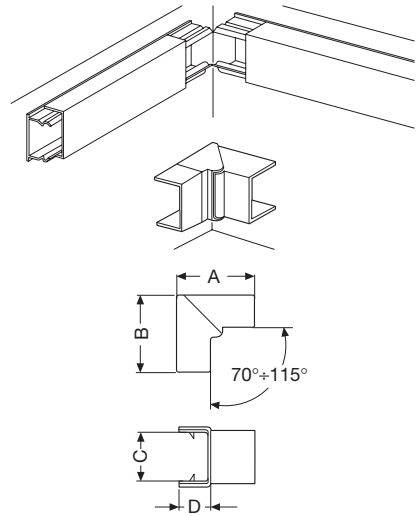
article	A	B	C	D
41 202 - 01 252 - 01 272	36	36	12	20
41 204	56	56	12	30
41 206	66	66	12	40
41 210 - 01 260 - 01 280	31	31	19	15
41 213 - 01 263 - 01 283	56	56	19	30
41 215	66	66	19	40
41 216	86	86	19	60
41 217	51	51	32	25
41 219	66	66	32	40
41 220	86	86	30	60

### Flat tee



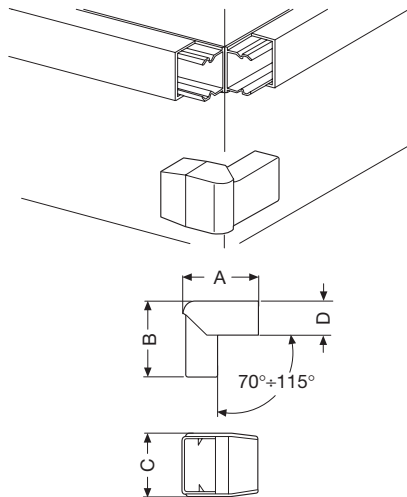
article	A	B	C	D
41 302 - 01 352 - 01 372	45	34	10	20
41 304	55	44	10	30
41 306	65	54	10	40
41 310 - 01 360 - 01 380	40	29	17	15
41 313 - 01 363 - 01 383	55	44	17	30
41 315	65	54	17	40
41 316	85	74	17	60
41 317	50	39	30	25
41 319	65	54	30	40
41 320	85	74	30	60

### Adjustable internal corner



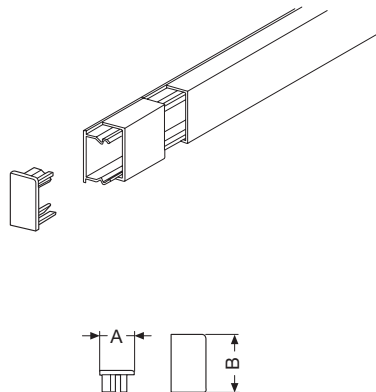
article	A	B	C	D
41 402 - 01 452 - 01 472	36	36	20	10
41 404	36	36	30	10
41 406	36	36	40	10
41 410 - 01 460 - 01 480	43	43	15	17
41 413 - 01 463 - 01 483	43	43	30	17
41 415	43	43	40	17
41 416	43	43	60	17
41 417	55	55	25	30
41 419	55	55	40	30
41 420	55	55	60	30

### Adjustable external corner



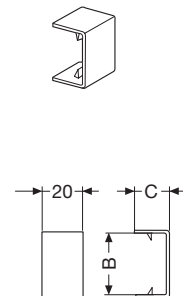
article	A	B	C	D
41 502 - 01 552 - 01 572	37	37	20	10
41 504	37	37	30	10
41 506	37	37	40	10
41 510 - 01 560 - 01 580	43	43	15	17
41 513 - 01 563 - 01 583	43	43	30	17
41 515	43	43	40	17
41 516	43	43	60	17
41 517	55	55	25	30
41 519	55	55	40	30
41 520	55	55	60	30

### End cap



article	A	B
41 602 - 01 652 - 01 672	11	23
41 604	11	33
41 606	11	43
41 610 - 01 660 - 01 680	17	15
41 613 - 01 663 - 01 683	17	30
41 615	17	40
41 616	17	60
41 617	30	25
41 619	30	40
41 620	30	60

### Flat joint



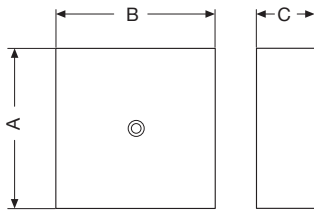
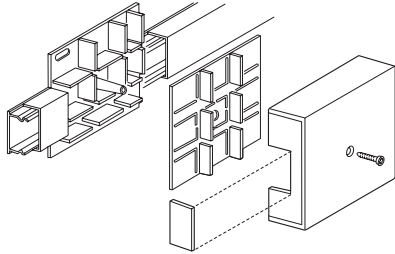
article	A	B
41 702 - 01 752 - 01 772	10	20
41 704	10	30
41 706	10	40
41 710 - 01 760 - 01 780	17	15
41 713 - 01 763 - 01 783	17	30
41 715	17	40
41 716	17	60
41 717	30	25
41 719	30	40
41 720	30	60

VLC00004

# Overall dimensions

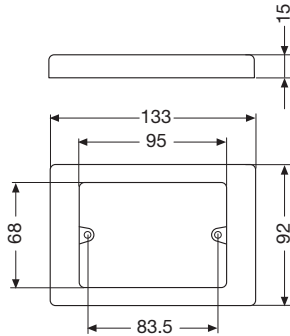
## Mini-trunkings

**Box for flat branch connections**



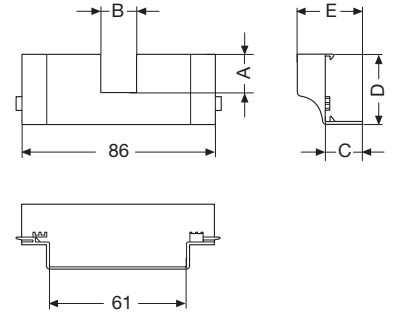
article	A	B	C
41 800 - 01 802 - 01 801	85	85	26
41 803 - 01 804 - 01 805	99	99	33

**Frame for flush-mounting box**



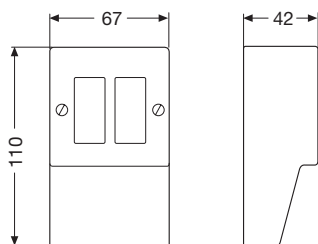
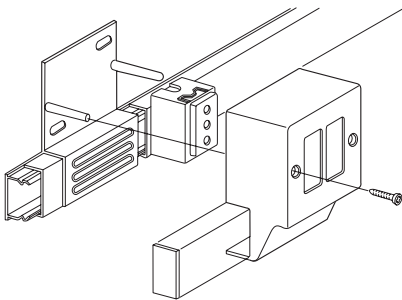
article
41 829

**Wall/ceiling tee branch connection**



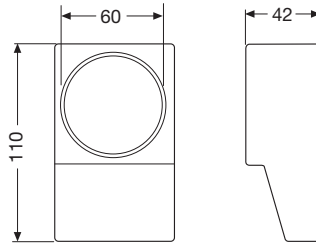
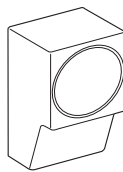
article	trunking dimensions	A	B	C	D	E
41 902	20X10	10	20	10	20	22
41 904	30X10	10	20	10	30	22
41 906	40X10	10	20	10	40	22
41 910	15X17	17	15	17	15	29
41 913	30X17	17	15	17	30	29
41 915	40X17	17	15	17	40	29
41 916	60X17	17	15	17	60	29
41 917	25X30	30	25	30	25	42
41 919	40X30	30	25	30	40	42
41 920	60X30	30	25	30	60	42

**Switch-socket floor box (2 devices)**



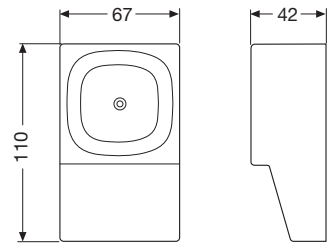
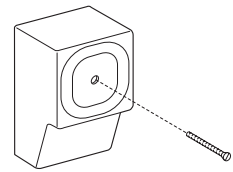
article
41 806 - 01 808 - 01 810

**Switch-socket floor box ø 60**



article
41 818 - 01 820 - 01 821

**Telephone socket box**

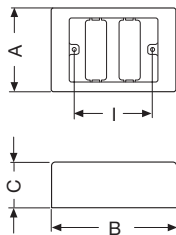
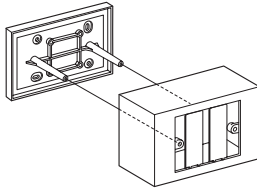


article
41 812 - 01 814 - 01 816

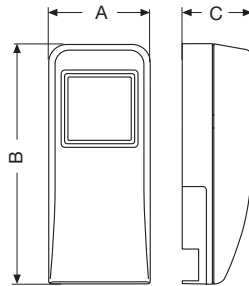
# Overall dimensions

## Mini-trunkings

### Switch-socket box



### Socket boxes



article	A	B	C	I
41 823 - 01 826 - 01 828	92	133	43	83.5
41 822 - 01 825 - 01 827	92	133	53	83.5
41 830 - 01 831 - 01 832	86	155	59	108

article	A	B	C
41 840	66	155	32
41 842	118,2	155	32
41 844	118,2	155	32
41 846	66	155	45
41 850	66	155	45
41 854	118,2	155	45

## Mini-trunking sections and number of devices that can be inserted

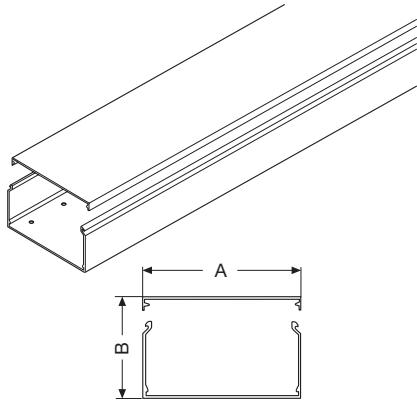
Mini-trunking			Mini-trunking Max. no of H07V-K unipolar wires with reduction coefficient = 50% under CEI 64-8						
1 compart.	2 compart.	3 compart.	article	Geometric section of compart. mm <sup>2</sup>	Section 1.5 mm <sup>2</sup>	Section 2.5 mm <sup>2</sup>	Section 4 mm <sup>2</sup>	Section 6 mm <sup>2</sup>	Max. compatible H07V-K cable for the system Section mm <sup>2</sup>
	20x10		41 081-41102	0.45+0.45	2+2	2+2	1+1	1+1	1.5
			41 080						
			41 101						
20x10			01 151	1.16	5	4	4	3	1.5
			01 171						
30x10			41 083-41 103	195	15	10	8	5	1.5
	30x10		41 084-41104	0.90+0.90	4+4	3,3	3+3	2+2	1.5
	40x10		41 106	1.31+1.31	6+6	5+5	4+4	3+3	1.5
			41 110						
15x17			41 111	1.70	8	6	5	4	6
			01 160						
			01 180						
			41 091						
30x17			41 113	3.70	17	14	12	9	6
			01 163						
			01 183						
	40x17		41 092-41115	2.33+2.33	10+10	9+9	8+8	6+6	6
		60x17	41 093-41116	2.4+2.2+2.4	12+10+12	8+7+8	7+6+7	4+3+4	6
25x30			41 117	5.12	23	19	17	13	16
40x30			41 119	9.13	42	35	30	23	16
		60x30	41 120	4.6+4.2+4.6	23+21+23	16+15+16	12+11+12	7+6+7	16

VLC0006

# Overall dimensions

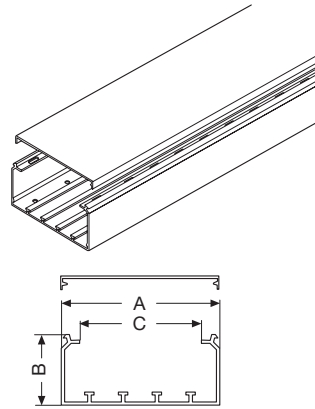
## Feeder and cable trunkings

### Feeder trunking



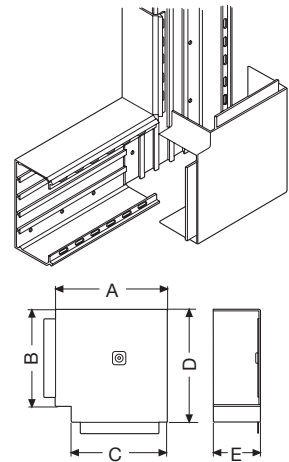
article	A	B
43 002 - 03 042	40	40
43 003 - 03 043	60	40
43 004 - 03 044	80	40
43 005 - 03 045	100	40
43 006 - 03 046	120	40
43 013 - 03 053	60	60
43 014 - 03 054	80	60
43 015 - 03 055	100	60
43 016 - 03 056	120	60
43 017 - 03 057	150	60
43 018 - 03 058	200	60
43 025 - 03 065	100	80
43 026 - 03 066	120	80
43 027 - 03 067	150	80
43 028 - 03 068	200	80

### Cable trunking



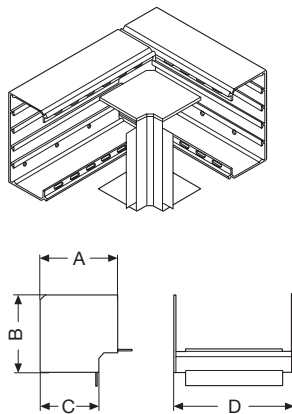
article	A	B	C
43 085 - 03 115	100	40	72
43 086 - 03 116	120	40	92
43 095 - 03 125	100	60	72
43 096 - 03 126	120	60	92
43 097 - 03 127	150	60	122
43 098 - 03 128	200	60	172
43 105 - 03 137	150	80	122
43 106 - 03 138	200	80	172

### 90° flat corner



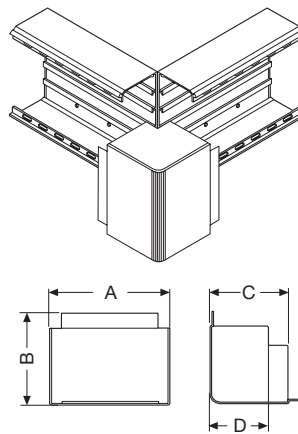
article	A	B	C	D	E
43 152 - 03 192	63	44	44	63	40
43 153 - 03 193	83	64	64	83	40
43 154 - 03 194	103	84	84	103	40
43 155 - 03 195	123	104	104	123	40
43 156 - 03 196	143	124	124	143	40
43 163 - 03 203	83	64	64	83	60
43 164 - 03 204	103	84	84	103	60
43 165 - 03 205	123	104	104	123	60
43 166 - 03 206	143	124	124	143	60
43 167 - 03 207	225	150	150	225	60
43 168 - 03 208	275	200	200	275	60
43 175 - 03 215	123	104	104	123	80
43 176 - 03 216	143	124	124	143	80
43 177 - 03 217	225	150	150	225	80
43 178 - 03 218	275	200	200	275	80

### Internal corner



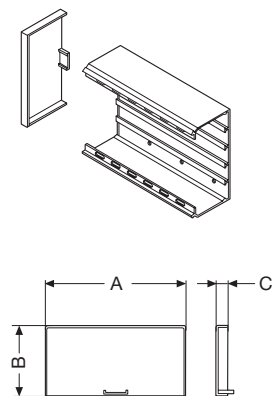
article	A	B	C	D
43 232 - 03 272	60	60	40	44
43 233 - 03 273	60	60	40	64
43 234 - 03 274	60	60	40	84
43 235 - 03 275	60	60	40	104
43 236 - 03 276	60	60	40	124
43 243 - 03 283	80	80	60	64
43 244 - 03 284	80	80	60	84
43 245 - 03 285	80	80	60	104
43 246 - 03 286	80	80	60	124
43 247 - 03 287	195	195	60	150
43 248 - 03 288	195	195	60	200
43 255 - 03 298	100	100	80	104
43 256 - 03 295	100	100	80	124
43 257 - 03 297	220	220	80	150
43 258 - 03 298	220	220	80	200

### External corner



article	A	B	C	D
43 312 - 03 352	44	75	60	40
43 313 - 03 353	64	95	80	40
43 314 - 03 354	84	95	80	40
43 315 - 03 355	104	115	100	40
43 316 - 03 356	124	115	120	40
43 323 - 03 363	64	95	80	60
43 324 - 03 364	84	95	80	60
43 325 - 03 365	104	115	100	60
43 326 - 03 366	124	115	100	60
43 327 - 03 367	150	200	200	60
43 328 - 03 368	200	200	200	60
43 335 - 03 375	104	115	100	80
43 336 - 03 376	124	115	100	80
43 337 - 03 377	150	220	220	80
43 338 - 03 378	200	220	220	80

### End cap



article	A	B	C
43 392 - 03 432	44	42	10
43 393 - 03 433	64	42	10
43 394 - 03 434	84	42	10
43 395 - 03 435	104	42	10
43 396 - 03 436	124	42	10
43 403 - 03 443	64	62	10
43 404 - 03 444	84	62	10
43 405 - 03 445	104	62	10
43 406 - 03 446	124	62	10
43 407 - 03 447	154	62	10
43 408 - 03 448	204	62	10
43 415 - 03 455	104	82	10
43 416 - 03 456	124	82	10
43 417 - 03 457	154	82	10
43 418 - 03 458	200	80	2

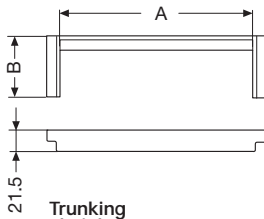
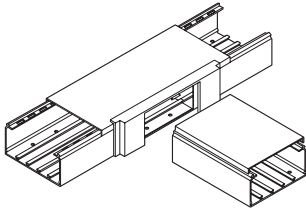
VLCC0011



# Overall dimensions

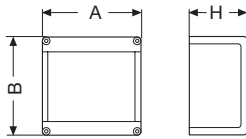
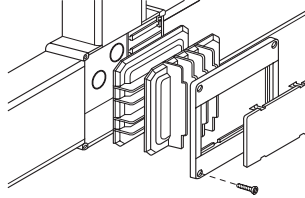
## Feeder and cable trunkings

### Tee



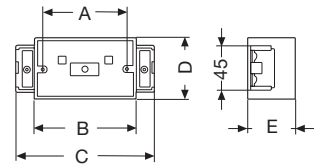
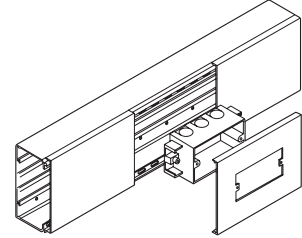
	Trunking height	A	B
43 475 - 03 515	40	40/60/80/100	64
43 488 - 03 528	60	60/80/100/120/150/200	64
43 498 - 03 538	80	100/120/150/200	84

### Box for flat branch connections



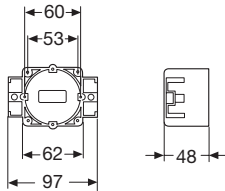
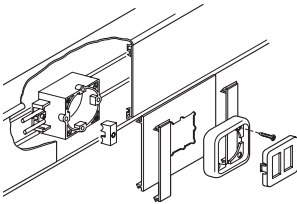
	Trunking height	A	B	H
43 681 - 03 686	40	121	121	68
43 682 - 03 687	60	221	221	85

### Switch-socket box



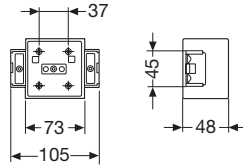
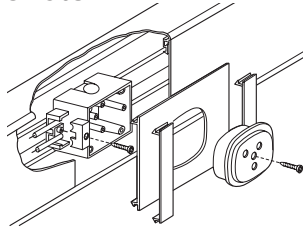
article	Trunking height	A	B	C	D	E
03 724	60/80	83.5	97	129	60.5	50
03 735	60/80	108	124	155	69	52.5

### Switch-socket box interaxis 60 mm

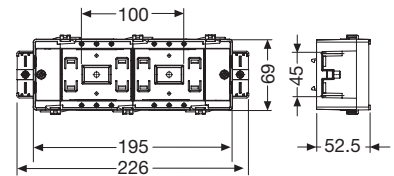


article
03 726

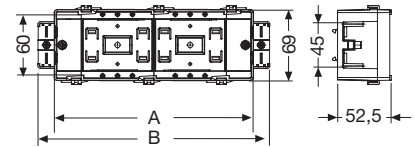
### Box for telephone sockets



article
03 730

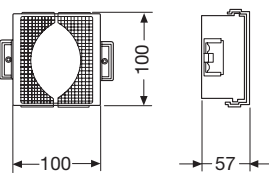
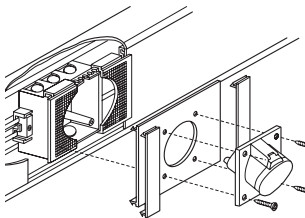


article	Trunking height
03 736	60/80



article	Trunking height	A	B
03 737	60/80	178	208
03 738	60/80	248	278
03 739	60/80	318	348

### Box for IEC plugs



article
03 734

15.LC.B0007R901

12

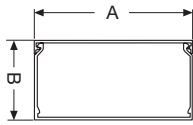
# Overall dimensions

## Feeder and cable trunkings

### Trunking sections and number of cables that can be inserted

Max. no of H07V-K unipolar wires with reduction coefficient = 50% under CEI 64-8

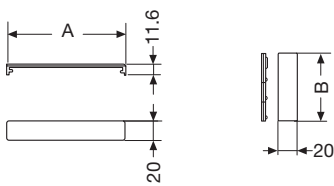
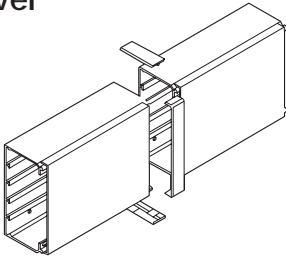
Type of trunking		Geometric section of compart.cm <sup>2</sup>	Max. no of H07V-K unipolar wires with reduction coefficient = 50% under CEI 64-8						
A	B		Section 1.5 mm <sup>2</sup>	Section 2.5 mm <sup>2</sup>	Section 4 mm <sup>2</sup>	Section 6 mm <sup>2</sup>	Section 10 mm <sup>2</sup>	Section 16 mm <sup>2</sup>	Section 25 mm <sup>2</sup>
40	40	14.2	74	51	39	23	16	12	7
60	40	20.4	105	74	56	33	23	17	11
80	40	27.5	143	99	76	44	30	23	14
100	40	34.4	179	124	95	55	38	28	18
120	40	41.1	214	148	114	66	45	34	22
60	60	32	166	115	88	51	35	26	17
80	60	42.4	220	153	117	68	47	35	22
100	60	53.6	279	194	148	86	59	44	28
120	60	62.9	327	227	174	101	69	52	33
150	60	79.5	413	287	220	128	88	65	42
200	60	106.8	555	386	295	171	118	88	56
100	80	72.8	379	263	201	117	80	60	38
120	80	86.6	450	313	239	139	95	71	46
150	80	108.8	566	393	301	175	120	89	57
200	80	149.7	758	526	403	234	161	120	77



# Overall dimensions

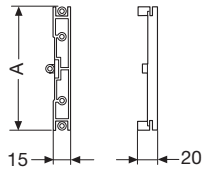
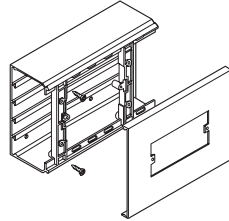
## Feeder and cable trunkings

### Flat joint and cover



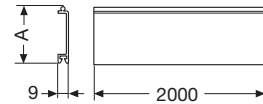
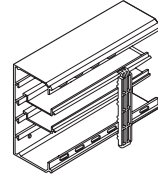
for trunking base		for trunking height	
article	A	article	B
40	44	40	30
60	64	60	50
80	84	80	70
100	104		
120	124		
150	154		
200	204		

### Equipment support retainer



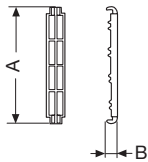
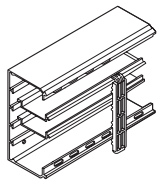
article	for trunking base	A
03 711	100	86
03 712	120	116
03 713	130	136

### Divider



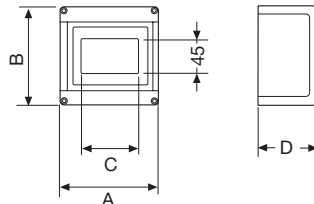
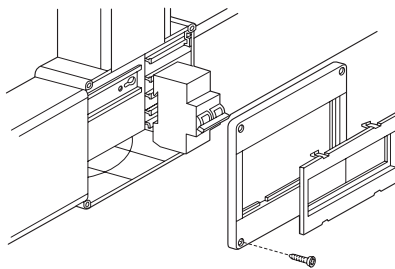
article	for trunking height	A
03 630	40	30
03 631	60/80	50

### Cable retainer



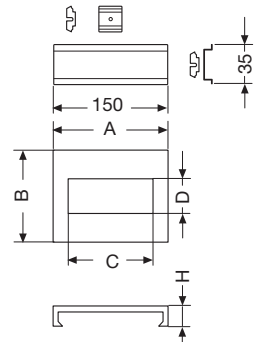
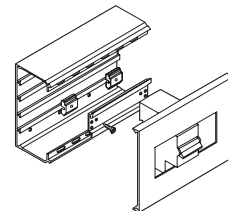
article	for trunking base	A	B
03 665	100	80	10
03 666	120	100	10
03 667	150	130	10
03 668	200	180	10

### Consumer unit for MCBs



article	for trunking height	A	B	C	D
43 692-03 696	50/100	120	120	71	67
03 691-03 697	150/200	220	220	175	87

### Plate for MCBs (6 DIN modules)

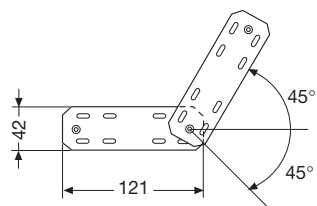
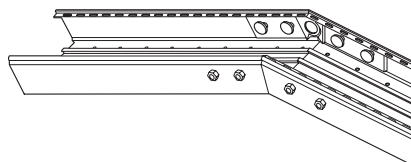


article	A	B	C	D	H
43 846-03 856	150	120	105	45	10
43 847-03 857	150	150	105	45	10
43 848-03 858	150	200	105	45	10

# Overall dimensions

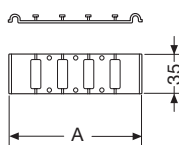
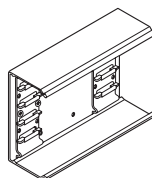
## Feeder and cable trunkings

### Adjustable joint



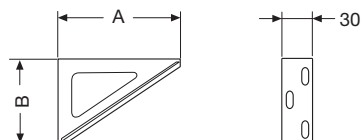
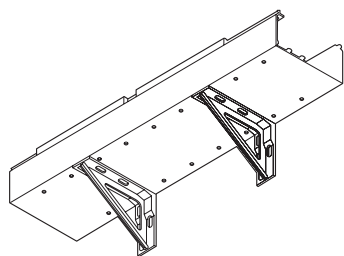
article  
03 873

### Base component clip



article	for trunking height	no. of installable separators	A
03 653	60	2	56
03 654	80	2	76
03 655	100	2	96
03 656	120	4	116
03 657	150	4	146

### Wall bracket



article	for trunking base	A
03 865	122	82
03 867	202	184

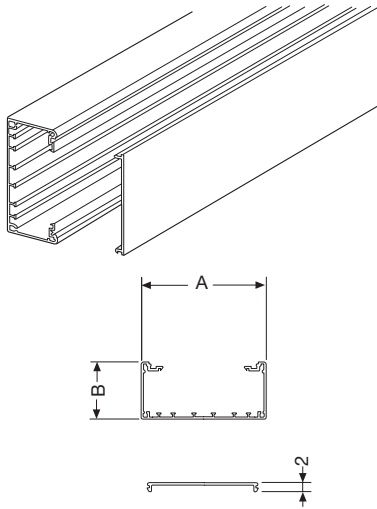
### Trunking section in cm<sup>2</sup> with boxes installed

Trunking type		Trunking section cm <sup>2</sup>	Box interaxis 83.5 cm <sup>2</sup>	Box interaxis 60 cm <sup>2</sup>	Telephone socket box cm <sup>2</sup>	Box for IEC plugs cm <sup>2</sup>
A	B					
80	60	42.6	8	7	0,3	
100	60	53.6	19	18	11	
120	60	62.9	28	27	21	
150	60	79.5	45	44	37	
200	60	106.8	72	71	64	
100	80	72.8	38	37	31	
120	80	86.6	52	51	44	
150	80	108.8	74	73	66	27
200	80	145.7	111	110	103	64

# Overall dimensions

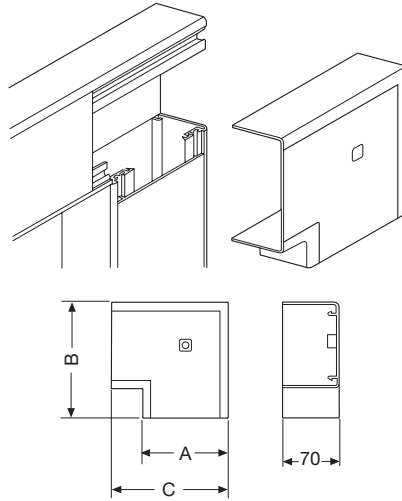
## Design styled cable trunkings

### Cable trunking



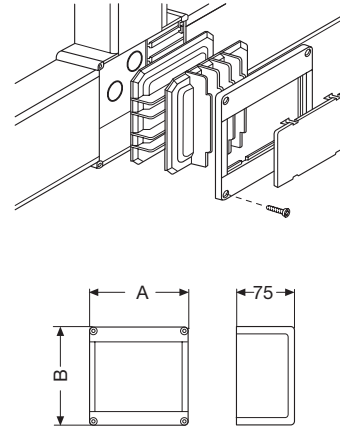
article	A	B
44 010	50	68
44 012	100	68
44 014	150	68
44 016	200	68

### 90° flat corner



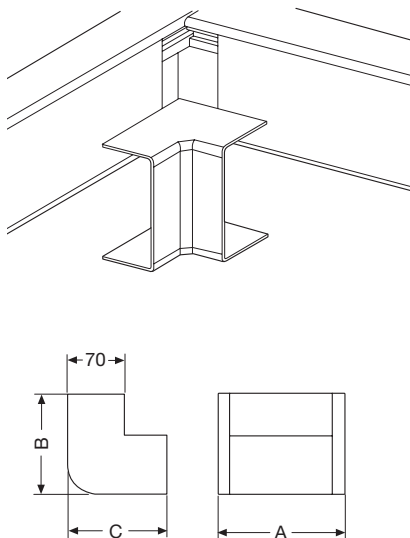
article	A	B	C
44 050	54	95	95
44 052	104	145	145
44 054	154	195	195

### Box for flat branch connections



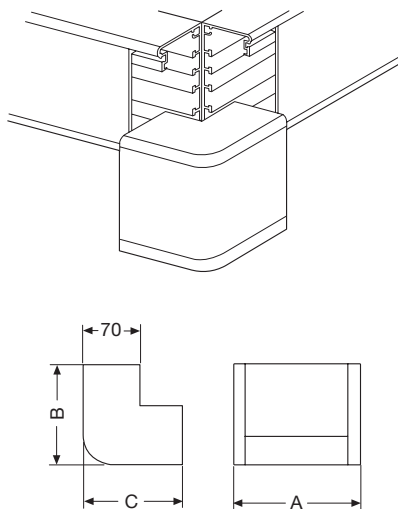
article	For trunking	A	B
44 090	50/100	120	120
44 092	150/200	220	220

### Internal corner



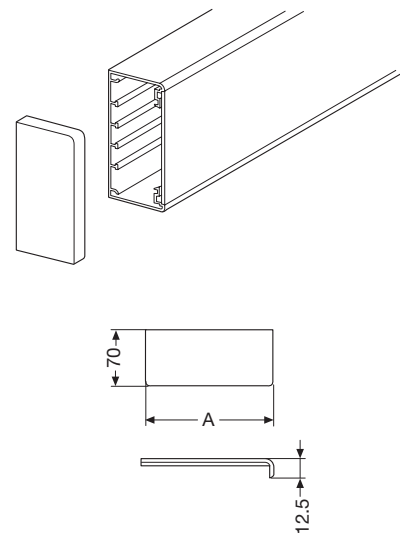
article	A	B	C
44 130	54	120	120
44 132	104	120	120
44 134	154	120	120
44 136	204	120	120

### External corner



article	A	B	C
44 170	54	120	120
44 172	104	120	120
44 174	104	120	120
44 176	204	120	120

### End cap



article	A
44 210	55
44 212	105
44 214	155
44 216	205

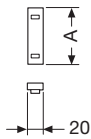
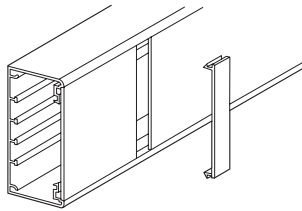
12

VLC00016

# Overall dimensions

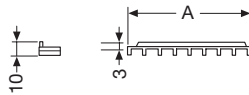
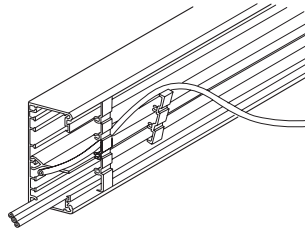
## Design styled cable trunkings

### Flat joint for cover



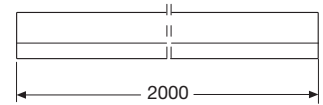
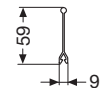
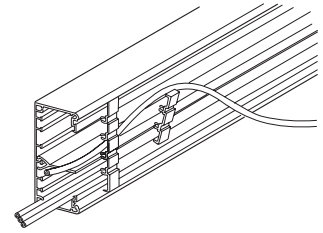
article	A
44 250	32
44 252	82
44 254	132
44 256	182

### Cable retainer



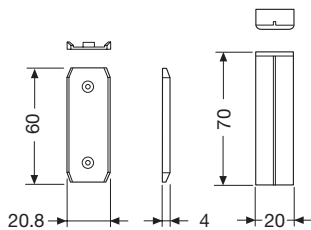
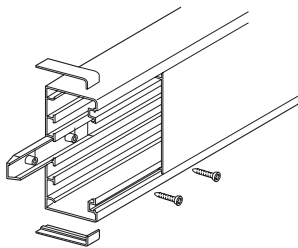
article	for trunking base	A
04 322	100	70
04 324	150	120
04 326	200	170

### Divider



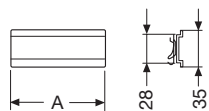
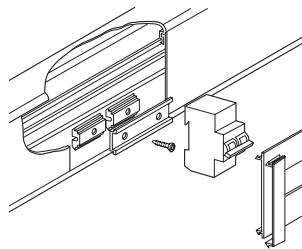
article
44 040

### Flat joint for trunkings



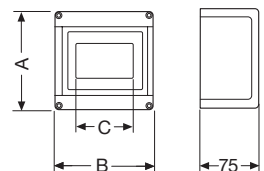
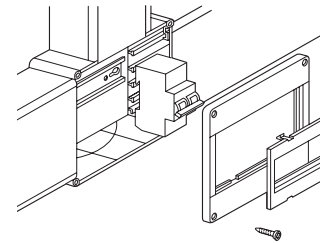
article
44 291

### MCBs kit



article	for trunking base	no. modules	A
44 634	150	6	100
44 636	200	6	100
44 654	150	10	200
44 656	200	10	200

### Consumer unit for 17.5x45 mm MCBs

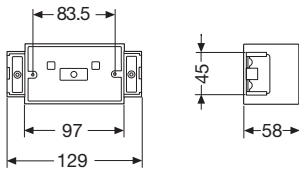
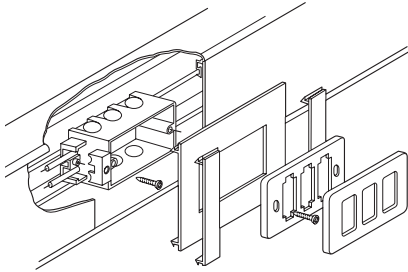


articolo	for trunking base	A	B	C
44 680	50/100	120	120	71
44 682	150/200	220	220	175

# Overall dimensions

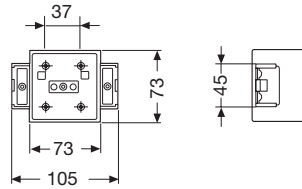
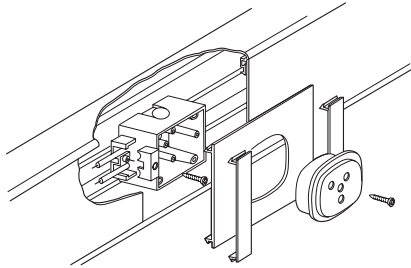
## Design styled cable trunkings

**Switch-socket box  
interaxis 83.5 mm**



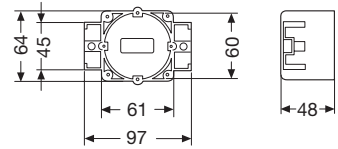
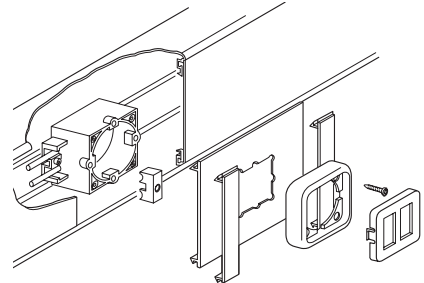
article	for trunking base
44 352	100
44 354	150
44 356	200

**Box for telephone  
socket**



article	for trunking base
44 434	150
44 436	200

**Box interaxis  
60 mm**

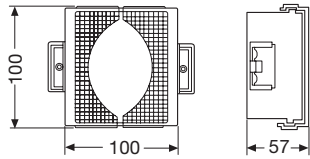
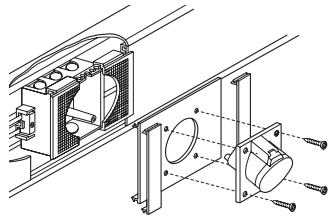


article	for trunking base
44 452	100
44 454	150
44 456	200

# Overall dimensions

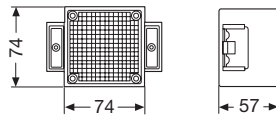
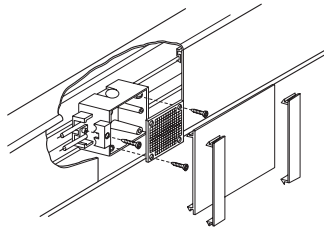
## Design styled cable trunkings

### Adjustable universal box



article	for trunking base
44 514	150
44 516	200

### Blank box 73x73 mm

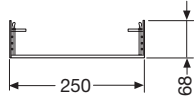
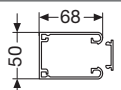
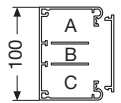
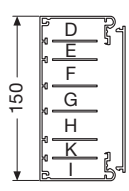
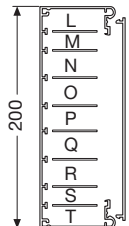


article	for trunking base
44 554	150
44 556	200

### Trunking section in cm<sup>2</sup> with boxes installed

type of boxes	for trunking base		
	100	150	200
Interaxis 83.5	19.5	45	72
Telephone socket	-	40	66.6
Interaxis 60/67	19	47	75
Adjustable universal	-	38	55
Blind 73x73	-	40	66.6

### Trunking sections and number of cables

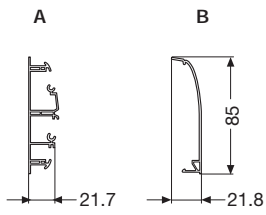
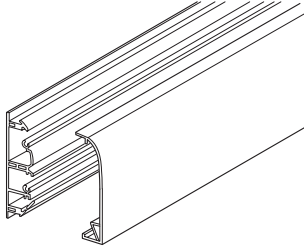
Trunking dimensions	Geometric section of compart. cm <sup>2</sup>	Max. number of H07V-K unipolar wires with reduction coefficient = 50% under CEI 64-8											Max. compatible H07V-K cable for the system sec.mm <sup>2</sup>
		Sec. 6 mm <sup>2</sup>	Sec. 10 mm <sup>2</sup>	Sec. 16 mm <sup>2</sup>	Sec. 25 mm <sup>2</sup>	Sec. 35 mm <sup>2</sup>	Sec. 50 mm <sup>2</sup>	Sec. 70 mm <sup>2</sup>	Sec. 95 mm <sup>2</sup>	Sec. 120 mm <sup>2</sup>	Sec. 150 mm <sup>2</sup>	Sec. 185 mm <sup>2</sup>	
	156	163	112	83	53	41	30	22	18	14	12	10	185
Type of trunking	Geometric section of compart. cm <sup>2</sup>	Sec. 1.5 mm <sup>2</sup>	Sec. 2.5 mm <sup>2</sup>	Sec. 4 mm <sup>2</sup>	Sec. 6 mm <sup>2</sup>	Sec. 10 mm <sup>2</sup>	Sec. 16 mm <sup>2</sup>	Sec. 25 mm <sup>2</sup>	Sec. 35 mm <sup>2</sup>	Sec. 50 mm <sup>2</sup>	Geometric section of trunking without compart. cm <sup>2</sup>	Max. compatible H07V-K cable for the system sec.mm <sup>2</sup>	
	21.85	113	78	60	35	24	18	11			21.85	150	
	A	19.4	98	68	52	30	21	15	10		56.4	150	
	B	12.53	65	45	34	20	14	10	6		56.4	150	
	C	19.4	98	68	52	30	21	15	10		56.4	150	
	D	10.43	54	37	28	16	11	8	5		88.26	150	
	E	9.17	47	33	25	14	10	7	4		88.26	150	
	F	13.65	70	49	37	21	15	11	7		88.26	150	
	G	12.53	65	33	34	20	14	10	6		88.26	150	
	H	13.65	70	37	37	21	15	11	7		88.26	150	
	K	9.17	47	38	25	14	10	7	4		88.26	150	
	I	10.43	54	35	28	16	11	8	5		88.26	150	
	L	10.56	54	48	29	17	11	9	5		119.16	150	
	M	9.69	50	50	26	15	10	8	5		119.16	150	
	N	13.33	69	46	37	21	14	12	7		119.16	150	
	O	13.9	72	50	38	22	15	11	7		119.16	150	
	P	12.76	66	46	35	20	14	10	6		119.16	150	
	Q	13.9	72	50	38	22	15	11	7		119.16	150	
	R	13.33	69	48	37	21	14	12	7		119.16	150	
	S	9.69	50	35	26	15	10	8	5		119.16	150	
	T	10.56	54	38	29	17	11	9	5		119.16	150	



# Overall dimensions

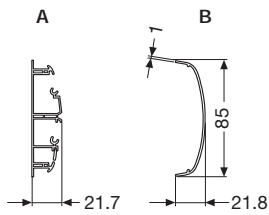
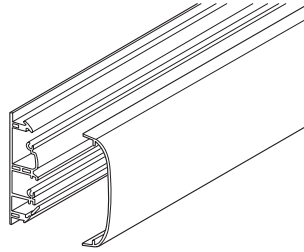
## Skirting and dado trunkings

Skirting cover



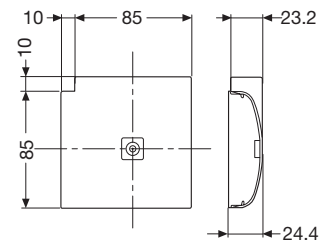
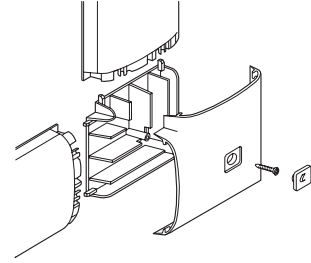
drawing	article
A	42 010 - 02 011
B	42 015 - 02 016 - 02 017

Dado cover



drawing	article
A	42 010 - 02 011
B	42 012 - 02 013 - 02 014

90° flat corner

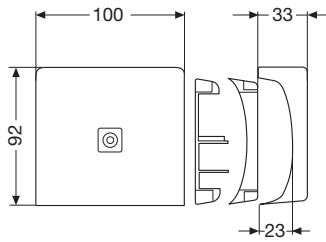
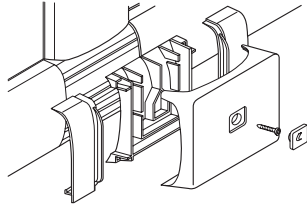


article
42 022 - 02 023 - 02 024
42 025 - 02 026 - 02 027
42 028 - 02 029 - 02 030

# Overall dimensions

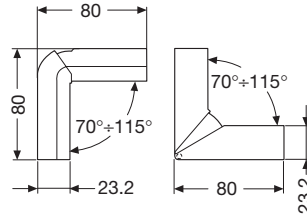
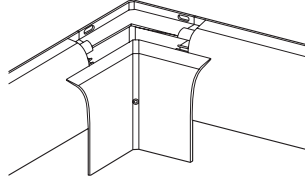
## Skirting and dado trunkings

**Box for flat branch connections**



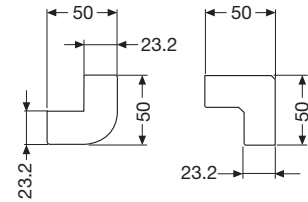
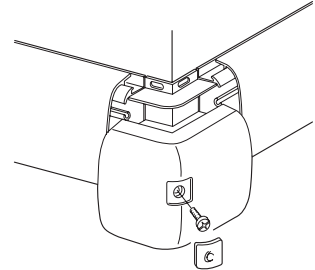
article  
42 032 - 02 033 - 02 034

**Internal corner**



article  
42 042 - 02 043 - 02 044  
42 046 - 02 047 - 02 048  
42 049 - 02 050 - 02 051

**External corner**



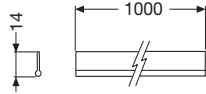
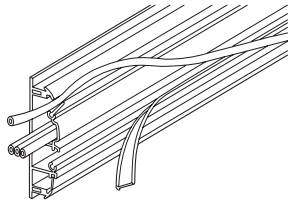
article  
42 052 - 02 053 - 02 054  
42 056 - 02 057 - 02 058  
42 059 - 02 060 - 02 061

VLCC000716s

# Overall dimensions

## Floor trunkings

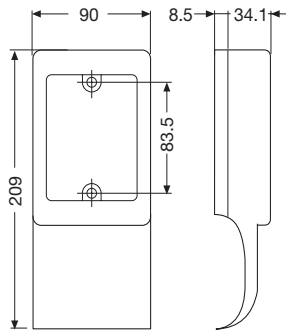
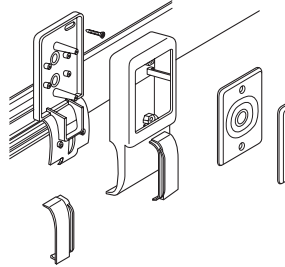
Compartment cover



article

02 018

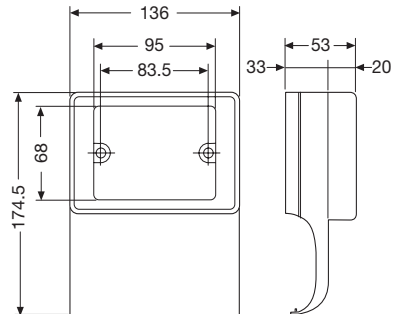
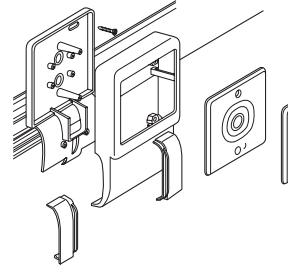
Vertical switch-socket box



article

42 102 - 02 103 - 02 104

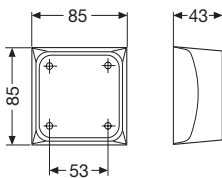
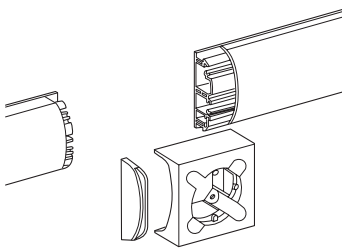
Horizontal switch-socket box



article

42 105 - 02 109 - 02 110

Switch-socket box interaxis 60/67 mm

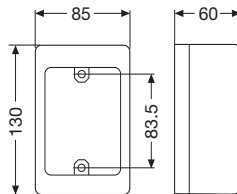
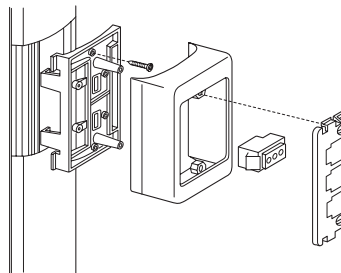


VLCC0008

article

42 096 - 02 097 - 02 098

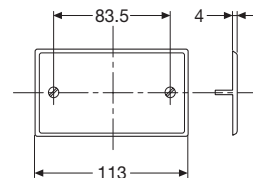
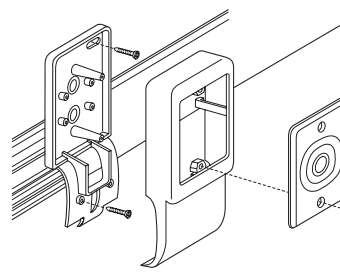
Switch-socket box interaxis 83.5 mm



article

42 092 - 02 093 - 02 094

Cover interaxis 83.5 mm



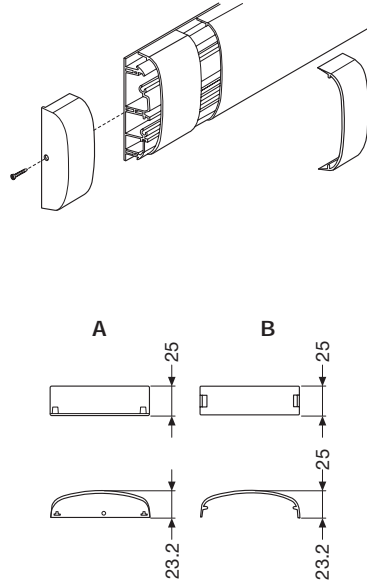
article

42 112 - 42 122

# Overall dimensions

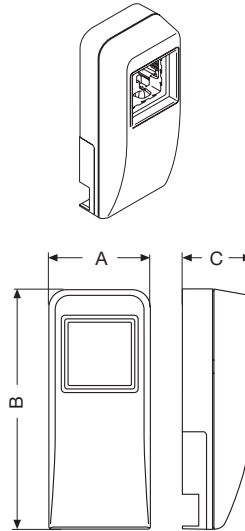
## Skirting and dado trunkings

### End cap and flat joint for cover



drawing	article
A	42 062 - 02 063 - 02 064
A	42 065 - 02 066 - 02 067
A	42 068 - 02 069 - 02 070
B	42 072 - 02 073 - 02 074
B	42 075 - 02 076 - 02 077

### Socket boxes



article	A	B	C
42 600	66	155	44
42 601	118,2	155	44
42 605	66	155	57
42 606	66	155	57
42 607	66	155	57

## Trunking sections and number of cables that can be inserted

### Skirting and dado trunkings



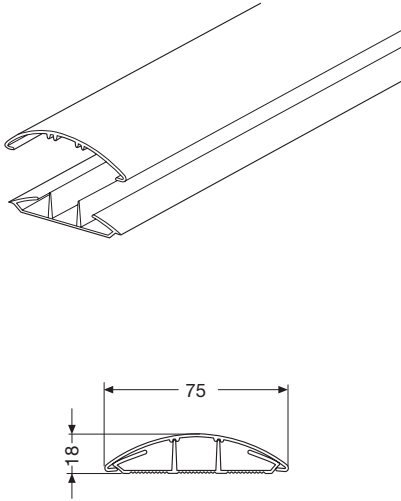
Max. number of H07V-K unipolar wires with reduction coefficient = 50% under CEI 64-8

Compartments	Geometric section of compart. cm <sup>2</sup>	Section 1.5 mm <sup>2</sup>	Section 2.5 mm <sup>2</sup>	Section 4 mm <sup>2</sup>	Section 6 mm <sup>2</sup>	Max. compatible H07V-K cable for the system sec.mm <sup>2</sup>
A	4.33	20	16	14	11	10
B	3.01	14	11	10	7	10
C	1.90	9	7	6	5	10

# Overall dimensions

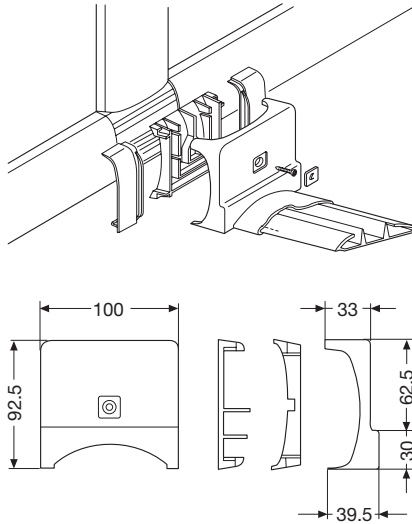
## Skirting and dado trunkings

### Floor trunking



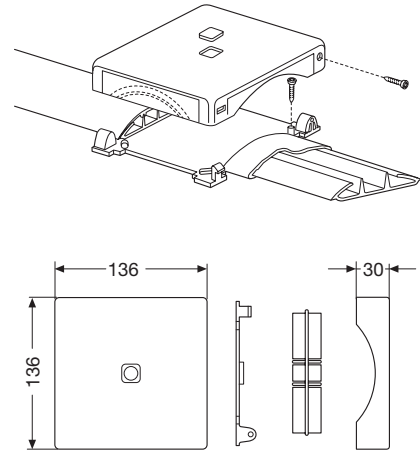
article  
42 512 - 02 513 - 02 514 - 02 515

### Skirting branch connection



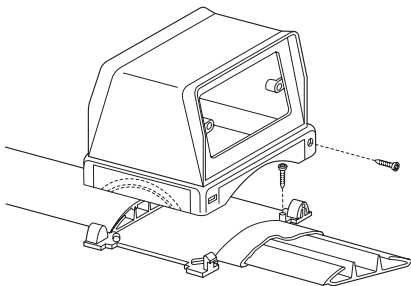
article  
42 522 - 02 523 - 02 524

### Box for branch connection



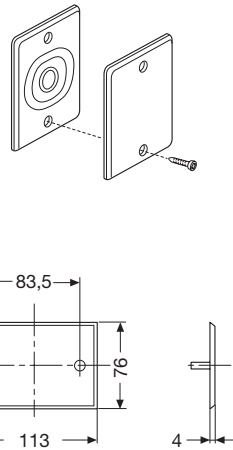
article  
42 532 - 02 533 - 02 534 - 02 535

### Switch-socket box interaxis 83.5 mm



article  
42 542 - 02 543 - 02 544 - 02 545

### Cover interaxis 83.5 mm

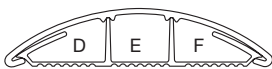


article  
42 112 - 42 122

12

## Trunking sections and number of cables that can be inserted

### Floor trunking



Max. number of H07V-K unipolar wires with reduction  
coefficient = 50% under CEI 64-8

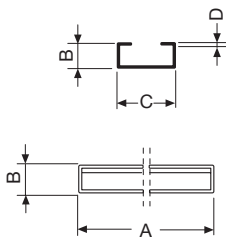
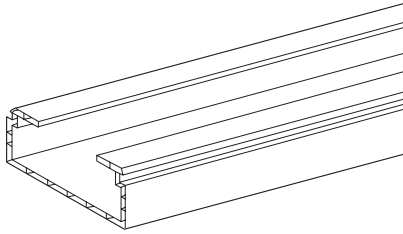
Compartments	Geometric section of compart. cm <sup>2</sup>	Section 1.5 mm <sup>2</sup>	Section 2.5 mm <sup>2</sup>	Section 4 mm <sup>2</sup>	Section 6 mm <sup>2</sup>	Max. compatible H07V-K cable for the system sec.mm <sup>2</sup>
D	4.46	20	16	12	7	6
E	4.9	22	17	13	8	6
F	4.46	20	16	12	7	6

VLCC0010

# Overall dimensions

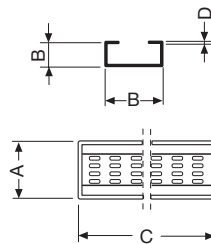
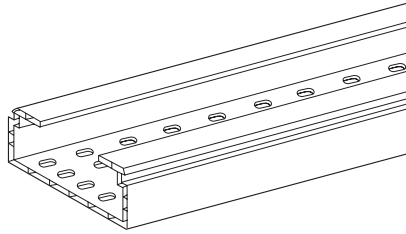
## Industrial plastic trunkings

### Cable trunking IP40



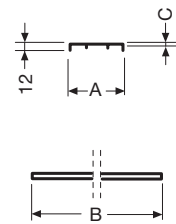
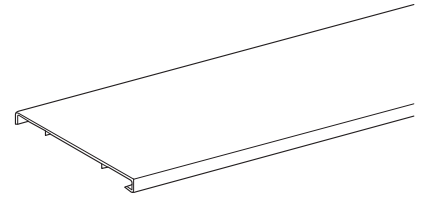
article	A	B	C	D
08 101	100	60	3000	3
08 102	150	60	3000	3
08 103	200	60	3000	5
08 105	300	60	3000	5
08 106	300	100	3000	5.5
08 107	400	100	3000	5.5

### Cable tray IP20



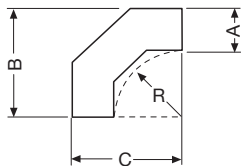
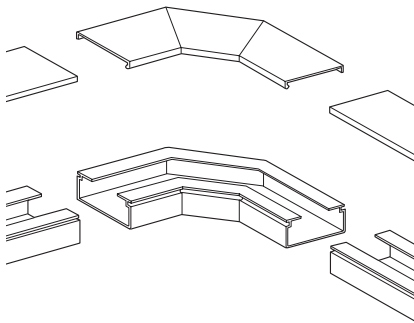
article	A	B	C	D
08 111	100	60	3000	5
08 112	150	60	3000	5
08 113	200	60	3000	5
08 115	300	60	3000	5
08 116	300	100	3000	5
08 117	400	100	3000	6

### Cover



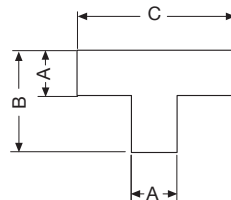
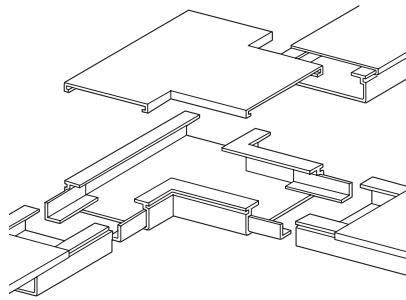
article	A	B	C
08 121	100	3000	2
08 122	150	3000	2
08 123	200	3000	2
08 125	300	3000	2.5
08 126	400	3000	3

### 90° flat corner



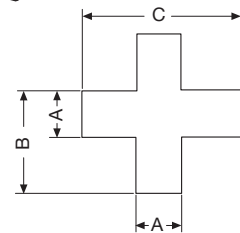
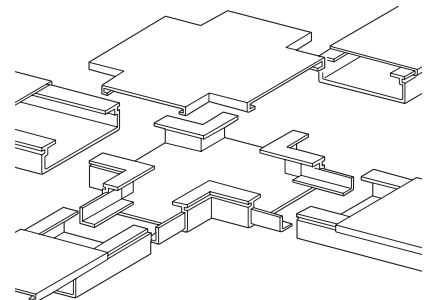
article	A	B	C	R
08 131	100	290	290	190
08 132	150	360	360	210
08 133	200	520	520	320
08 135	300	720	720	400
08 136	300	720	720	400
08 137	400	780	780	380

### Tee



article	A	B	C
08 141	100	205	315
08 142	150	300	450
08 143	200	380	560
08 145	300	500	700
08 146	300	500	700
08 147	400	600	800

### Flat cross

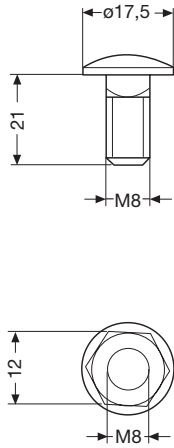


article	A	B	C
08 161	100	200	295
08 162	150	295	450
08 163	200	360	510
08 165	300	395	610
08 166	300	470	645
08 167	400	595	800

# Overall dimensions

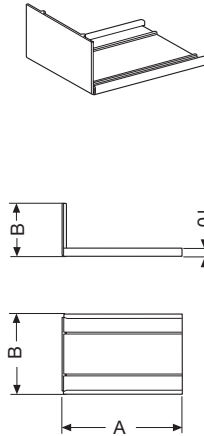
## Industrial plastic trunkings

### Screw and nut



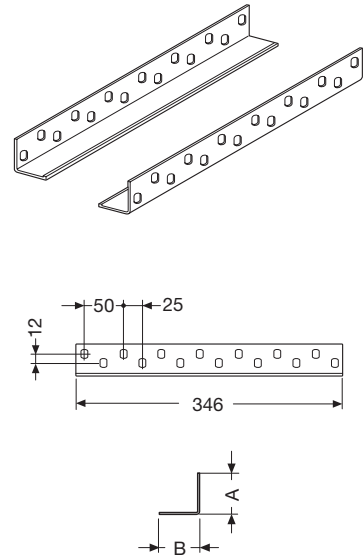
article	material
08 190	techno-polymer
08 192	stainless steel

### End cap



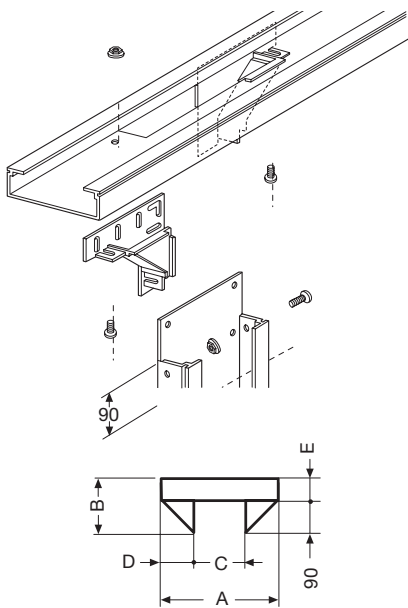
article	A	B
08 151	100	58
08 152	150	58
08 153	200	58
08 154	300	58
08 155	300	98
08 156	400	98

### Straight joint



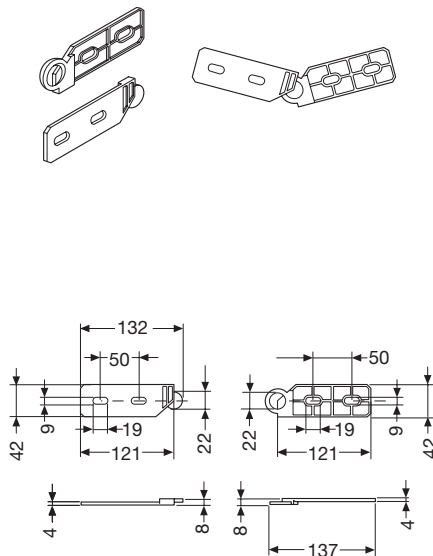
article	for trunking height	A	B
08 175	60		
08 176	100		

### Branch connection element

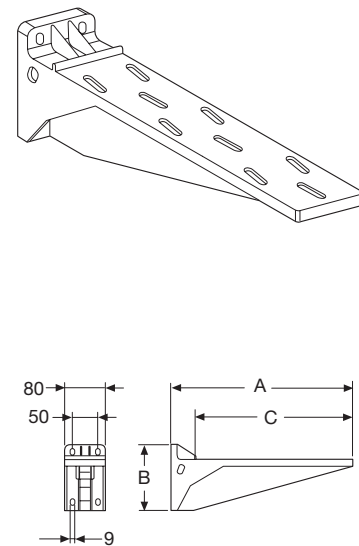


A	B	C	D	E
280	150	100	90	60
330	150	150	115	60
380	150	200	90	60
480	150	300	90	60
480	190	300	90	100
580	190	400	90	100

### Adjustable joint



### Plastic wall bracket



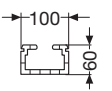
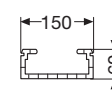
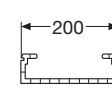
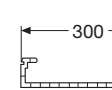
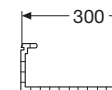
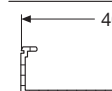
article	A	B	C	weight kg.	max. load at 30 °C/kg
08 181	60	60	60	280	150
08 182	60	60	60	330	150
08 183	60	60	60	380	150
08 184	60	60	60	480	150
08 185	100	100	100	480	190

VLC0021

# Overall dimensions

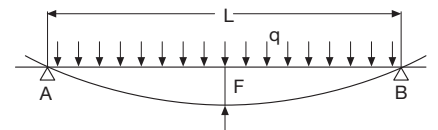
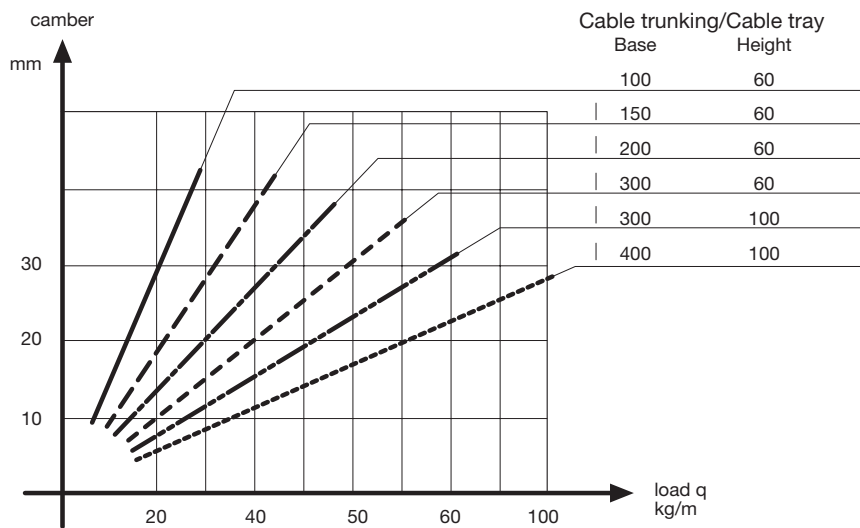
## Industrial plastic trunkings

### Trunking sections and number of cables that can be inserted

Trunking and cable tray dimensions	Geometric section of compartment. cm <sup>2</sup>	Max. number of H07V-K unipolar wires with reduction coefficient = 50% under CEI 64-8												Max. compatible H07V-K cable for the system sec.mm <sup>2</sup>
		Sec. 6 mm <sup>2</sup>	Sec. 10 mm <sup>2</sup>	Sec. 16 mm <sup>2</sup>	Sec. 25 mm <sup>2</sup>	Sec. 35 mm <sup>2</sup>	Sec. 50 mm <sup>2</sup>	Sec. 70 mm <sup>2</sup>	Sec. 95 mm <sup>2</sup>	Sec. 120 mm <sup>2</sup>	Sec. 150 mm <sup>2</sup>	Sec. 185 mm <sup>2</sup>	Sec. 240 mm <sup>2</sup>	
	46.25	74	51	38	24	19	14	10	8	6	5	4	3	240
	73.75	118	82	60	38	30	22	16	13	10	8	7	5	240
	101.25	163	112	83	53	41	30	22	18	14	12	10	7	240
	156.25	252	173	128	82	64	47	34	27	22	18	14	11	240
	274.25	442	304	225	144	112	83	60	48	39	31	25	30	240
	369.25	595	410	304	194	151	111	81	65	53	42	34	27	240

### Diagrams of maximum loads for cable trunkings and cable trays

- evenly distributed load (q)
- cable trunkings/cable trays resting on two single constraints (A, B)
- span 2000 mm (L)
- maximum camber considered at the middle of span (F)
- ambient temperature 20° C



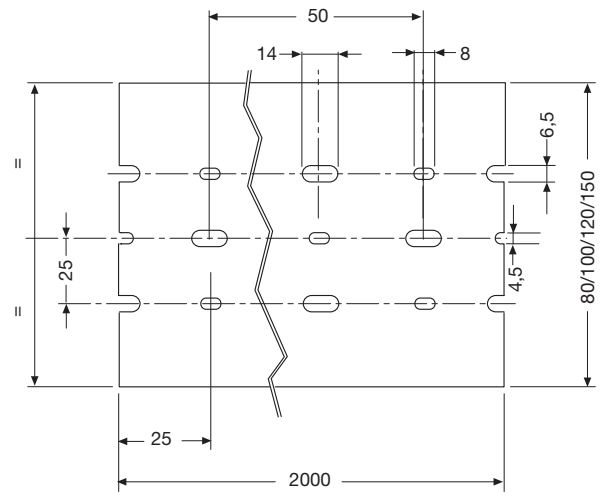
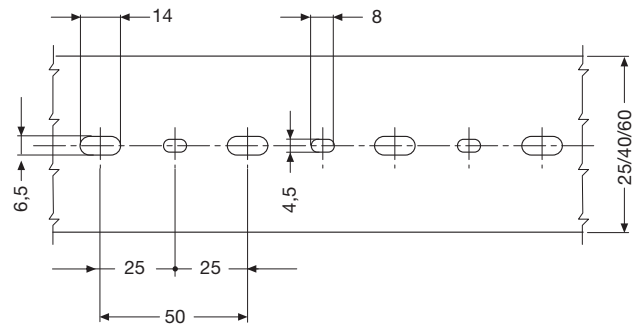
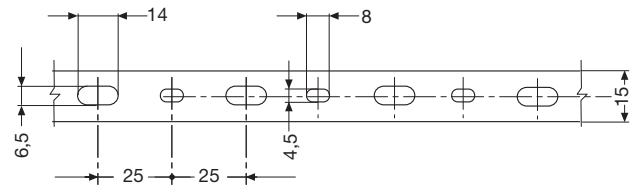
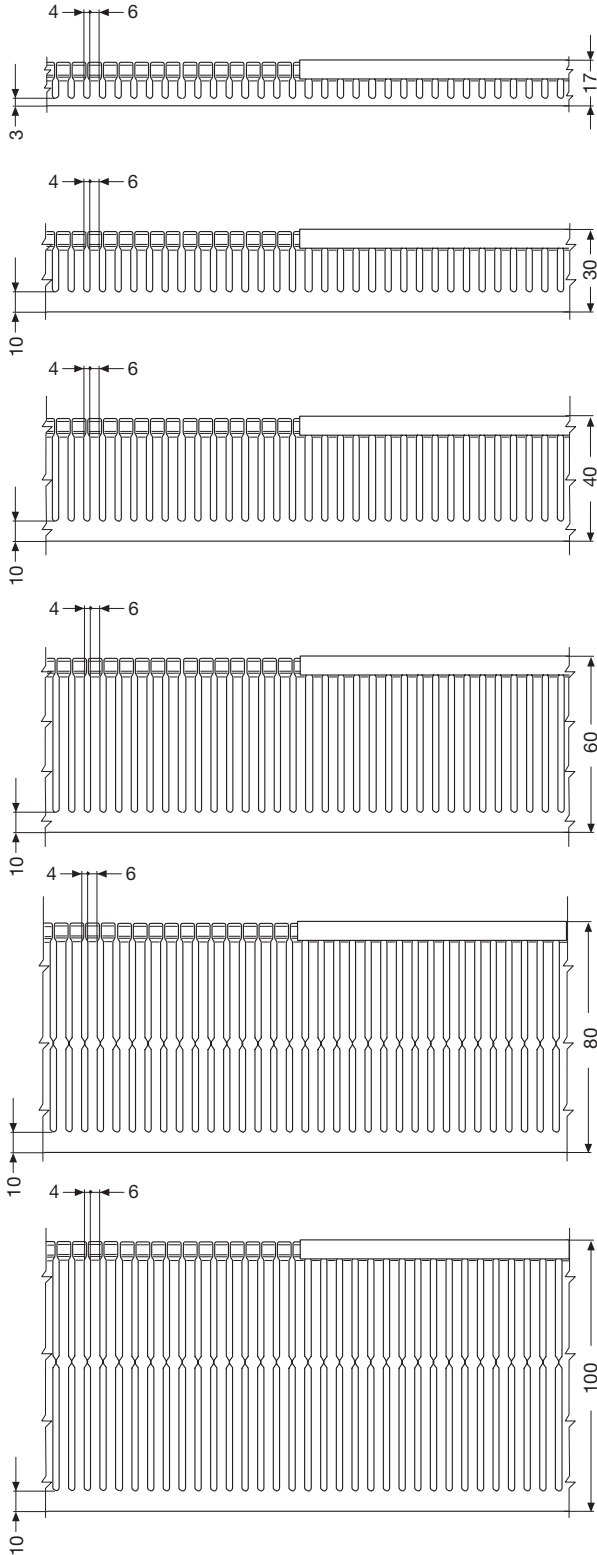


# Overall dimensions

## Halogen free wiring ducts

### Thermoplastic and halogen free wiring ducts with 4/6 mm slots

CEI 23-22 Standard applies to plastic wiring ducts and their accessories to be used in the mechanical protection and support of cables in switchboards, in application with a maximum rated voltage of 1000 V in alternate current and 1500 V in direct current. Thermoplastic wiring ducts have obtained the IMQ certification.



H 100: only thermoplastic material ducts

1SLC822231-0901

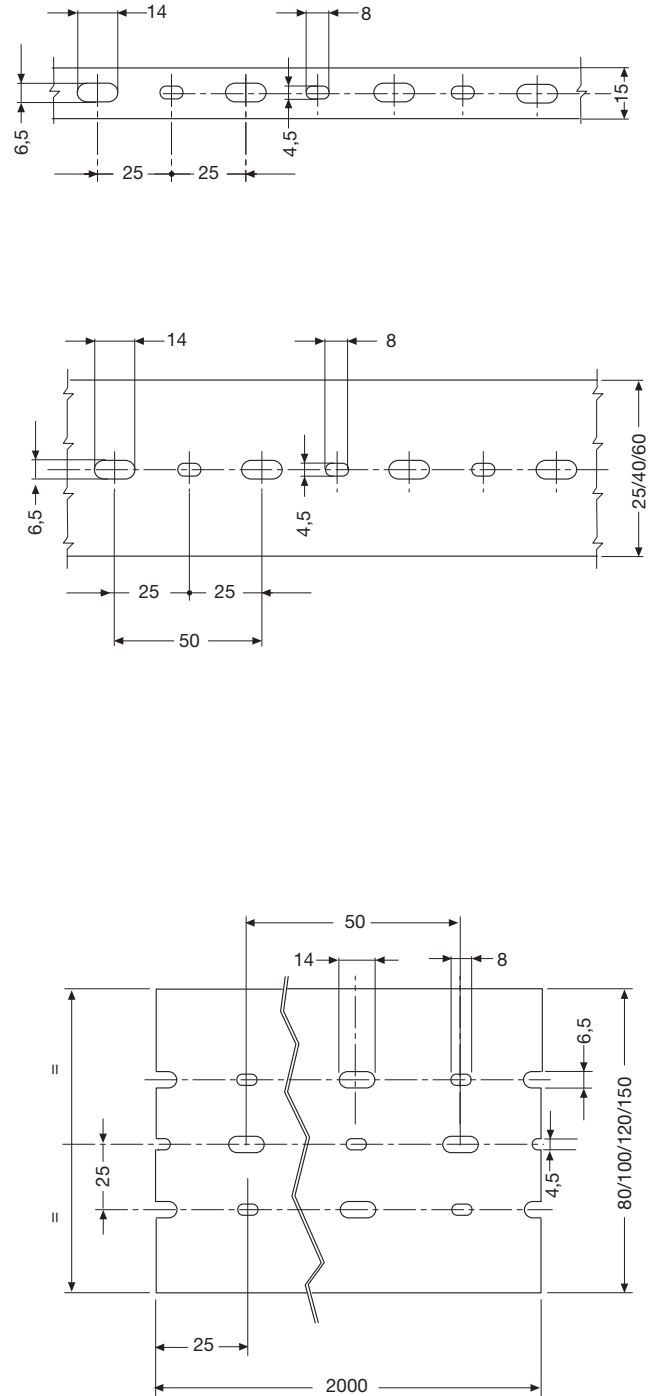
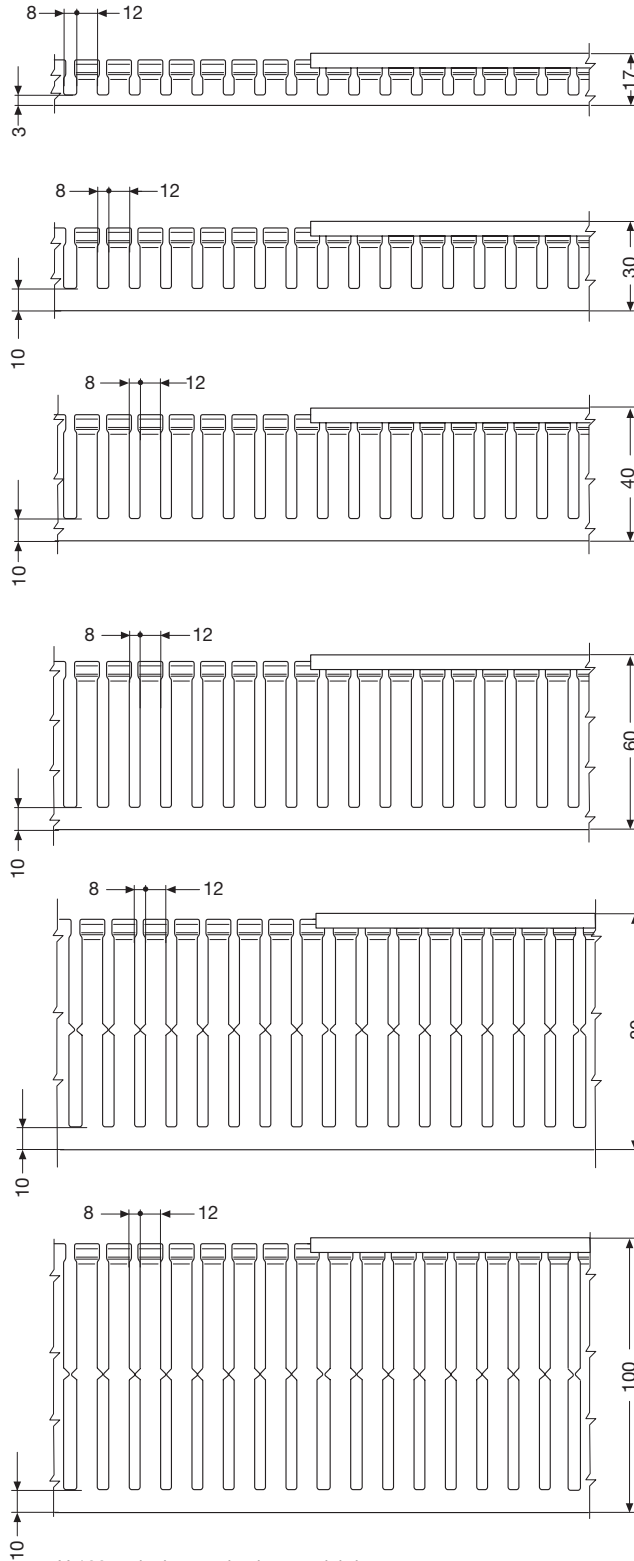
12

# Overall dimensions

## Thermoplastic wiring ducts

### Thermoplastic and halogen free wiring ducts with 8/12 mm slots

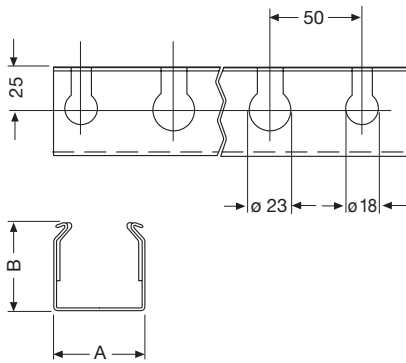
CEI 23-22 Standard applies to plastic wiring ducts and their accessories to be used in the mechanical protection and support of cables in switchboards, in application with a maximum rated voltage of 1000 V in alternate current and 1500 V in direct current. Thermoplastic wiring ducts have obtained the IMQ certification.



# Overall dimensions

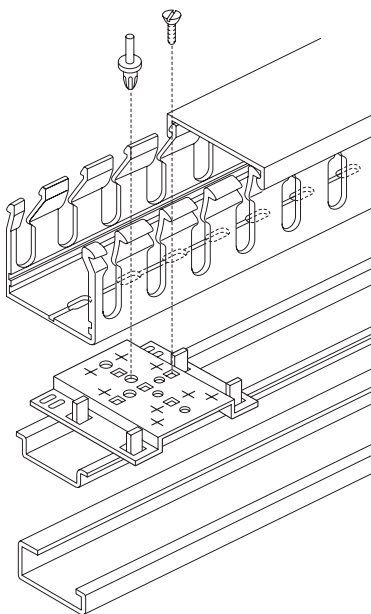
## Thermoplastic wiring ducts

### Ducts with round holes



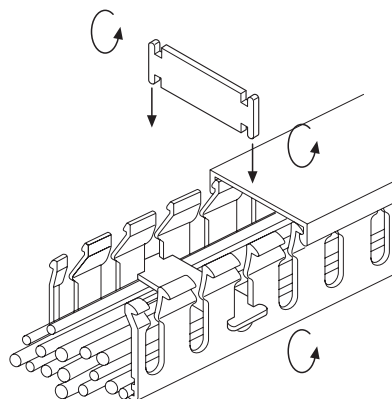
article	A	B
05 330	50	50
05 331	100	60

### Plastic rivets and wiring duct bases



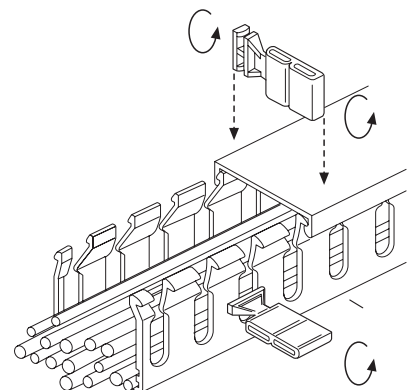
article  
05 214 - 05 216 - 05 210

### Plastic cable retainers



article  
05 224 - 05 226 - 05 228 - 05 230

### Plastic label tag



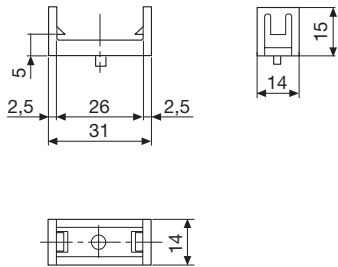
article  
05 240

12

# Overall dimensions

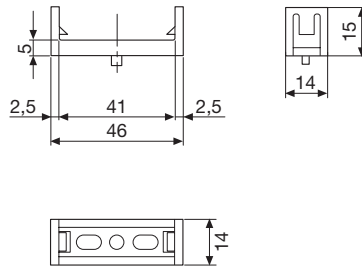
## Accessories for wiring ducts

### Clip for wiring ducts base 25



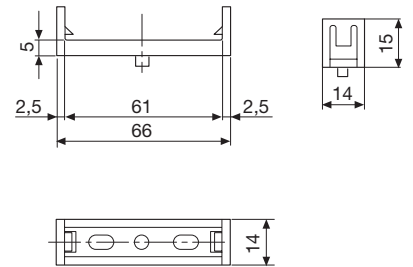
**article**  
**05 250** for DIN rail  
**05 270** for base plate

### Clip for wiring ducts base 40



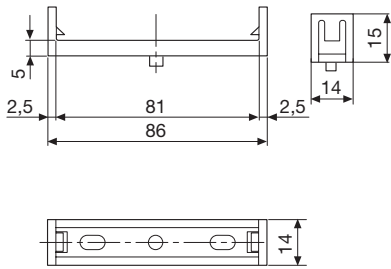
**article**  
**05 252** for DIN rail  
**05 272** for base plate

### Clip for wiring ducts base 60



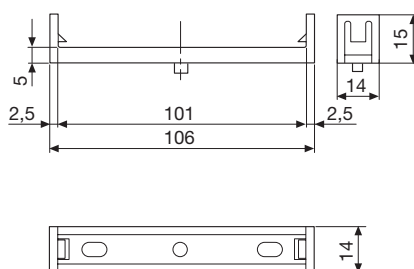
**article**  
**05 254** for DIN rail  
**05 274** for base plate

### Clip for wiring ducts base 80



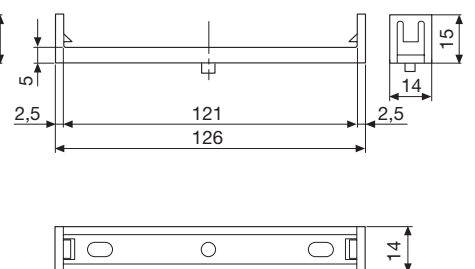
**article**  
**05 256** for DIN rail  
**05 276** for base plate

### Clip for wiring ducts base 100



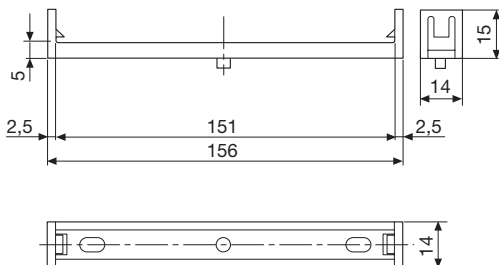
**article**  
**05 258** for DIN rail  
**05 278** for base plate

### Clip for wiring ducts base 120

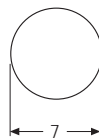


**article**  
**05 260** for DIN rail  
**05 280** for base plate

### Clip for wiring ducts base 150



**article**  
**05 262** for DIN rail  
**05 282** for base plate



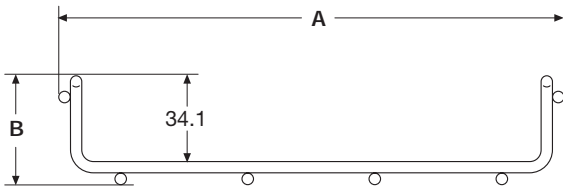
The FIX-O-RAPID for base plate can be snap-on inserted on punching as shown in the drawing.

1SLC6028F0901

# Overall dimensions

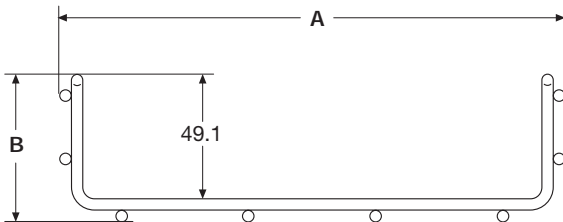
## Steel wire cable trays

### H 35 mm



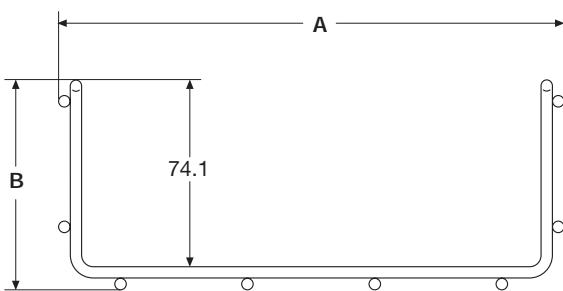
Rated dimension	A (mm)	B (mm)	Lenght (mm)	Weight (kg/m)	Usable section (mm <sup>2</sup> )
75x35	73.3	42.9	3000	0.740	1890.7
100x35	98.3	42.9	3000	0.770	2743.2
150x35	148.3	42.9	3000	0.949	4448.2
200x35	198.3	42.9	3000	1.128	6153.2
300x35	298.3	42.9	3000	1.486	9563.2

### H 50 mm



Rated dimension	A (mm)	B (mm)	Lenght (mm)	Weight (kg/m)	Usable section (mm <sup>2</sup> )
75x50	73.3	57.9	3000	1.013	2726.2
100x50	98.3	57.9	3000	1.044	3953.7
150x50	148.3	57.9	3000	1.223	6408.7
200x50	198.3	57.9	3000	1.402	8863.7
300x50	298.3	57.9	3000	1.760	13773.7
400x50	399.1	58.3	3000	2.390	18683.7
500x50	499.1	58.3	3000	2.794	23593.7

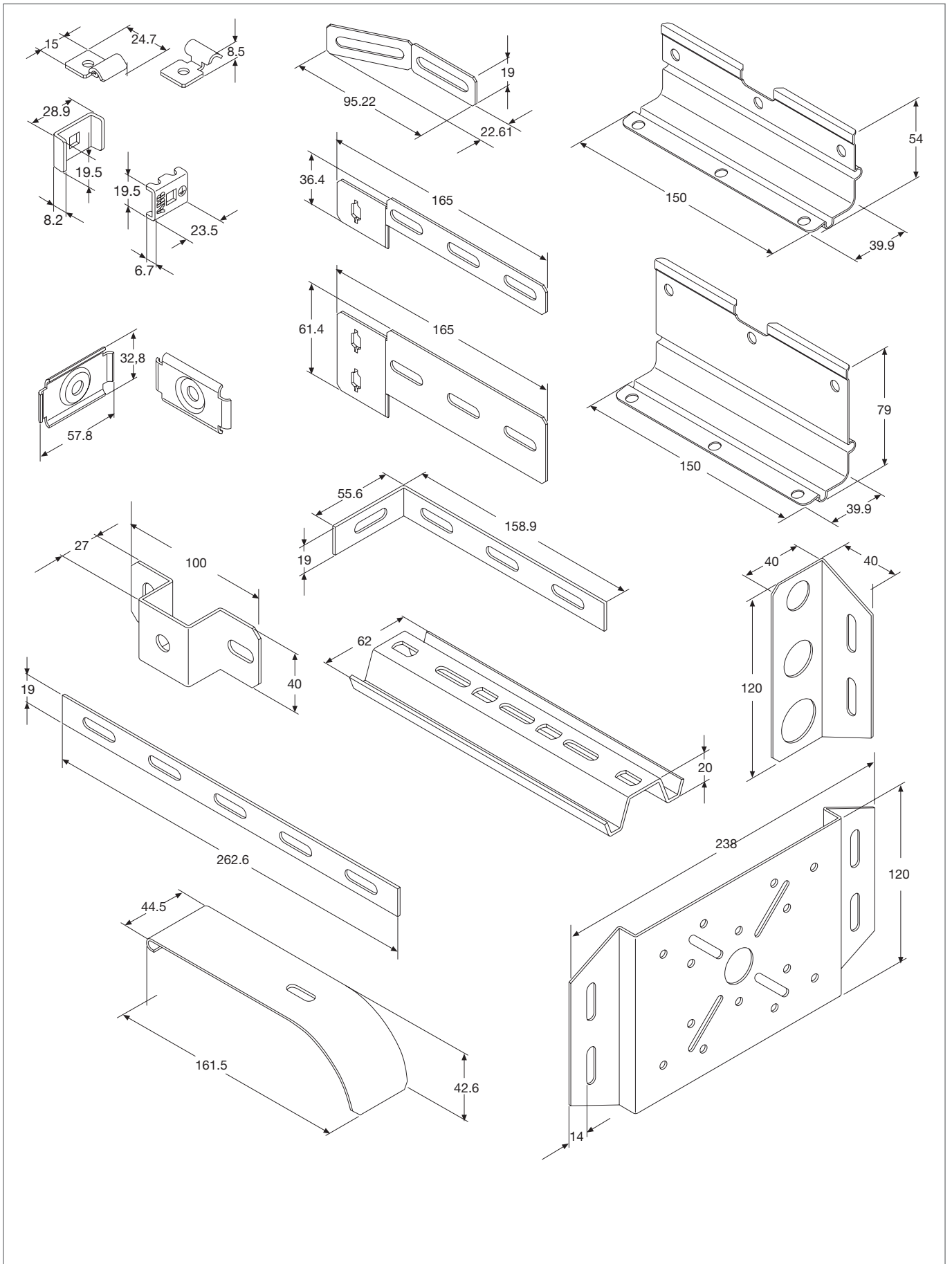
### H 75 mm



Rated dimension	A (mm)	B (mm)	Lenght (mm)	Weight (kg/m)	Usable section (mm <sup>2</sup> )
75x75	73.3	82.9	3000	1.073	4118.7
100x75	98.3	82.9	3000	1.104	5971.2
150x75	148.3	82.9	3000	1.283	9676.2
200x75	198.3	82.9	3000	1.462	13381.2
300x75	298.3	82.9	3000	1.820	20791.2
400x75	399.1	83.3	3000	2.450	28201.2
500x75	499.1	83.3	3000	2.853	35611.2

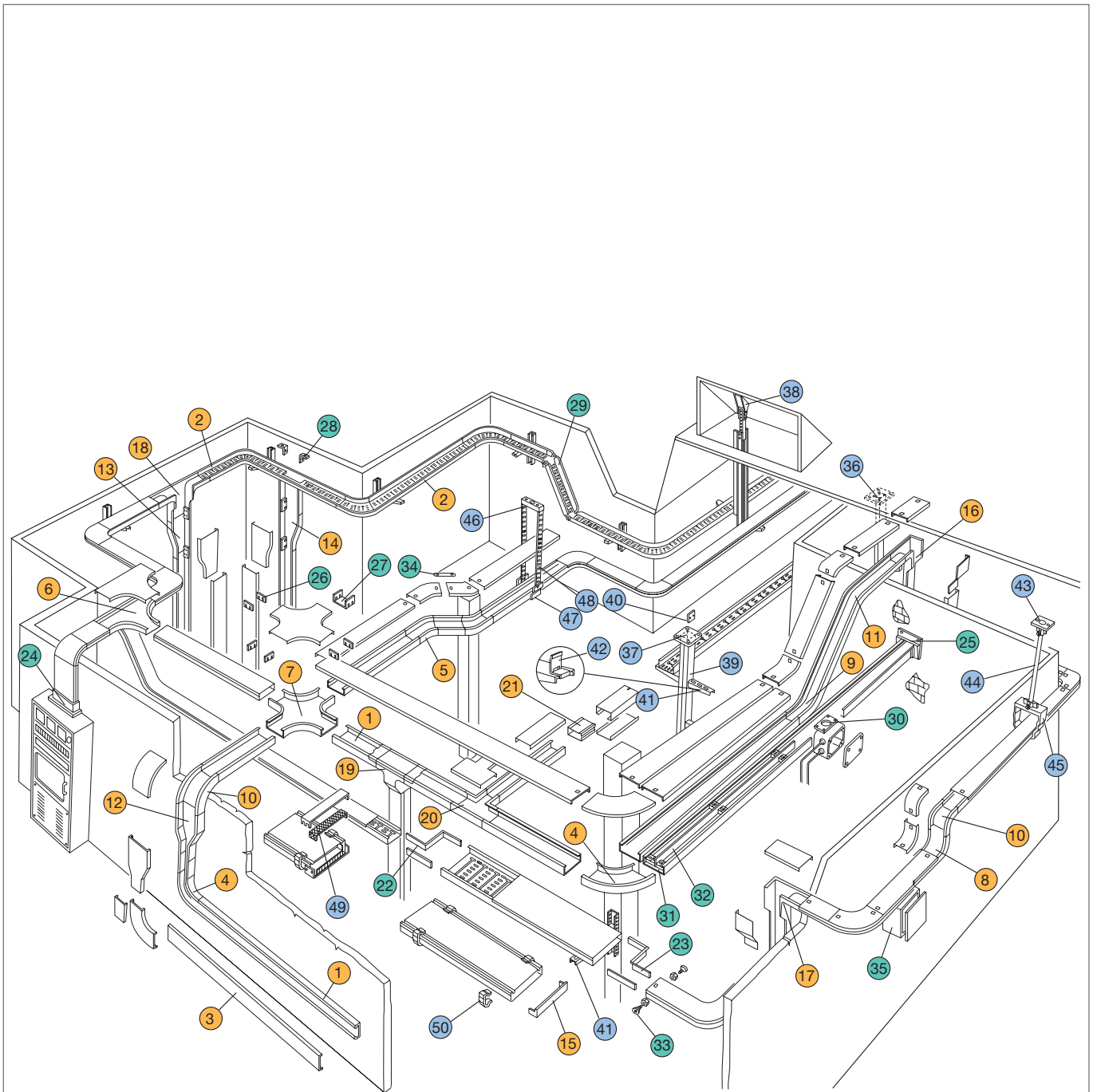
# Overall dimensions

## Steel wire cable trays



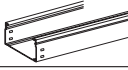
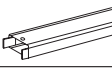
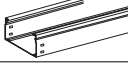
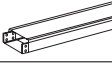
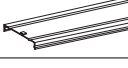






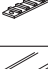


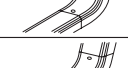

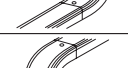

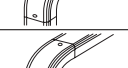






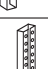



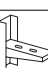
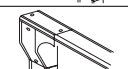

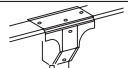



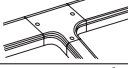
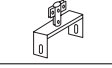
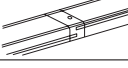
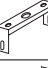
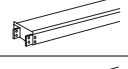
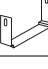
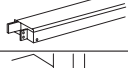


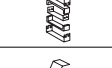


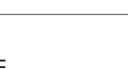

# Overall dimensions

## Sendzimir trunkings



# Overall dimensions

## Sendzimir trunkings

1		IP40 trunking	26		Straight joint
2		IP20 trunking	27		Integral joint
3		Cover	28		Vertical joint fixed at 90°
4		90° flat corner	29		Adjustable joint
5		45° flat corner	30		Branch connection coupler
6		Flat tee	31		Fastening element for separator
7		Flat cross	32		Divider
8		90° vertical inside riser	33		Screw and nut
9		45° vertical inside riser	34		Earth connection
10		90° vertical outside riser	35		Branch connection box
11		45° vertical outside riser	36		Single anchorage plate
12		Concentric reducer	37		Double anchorage plate
13		Left reducer	38		Adjustable anchorage plate
14		Right reducer	39		“C” profile
15		End cap	40		Blocking plate
16		Left 90° vertical outside riser	41		Bracket
17		Right 90° vertical outside riser	42		Trunking retainer spring
18		Vertical flat tee	43		Plate with conduit-tightener collar
19		Vertical tee with reduction	44		Conduit for suspensions
20		Flat tee with reduction	45		Cross piece with conduit-tightening collar
21		Straight inversion element	46		Cross piece for fastening to the ceiling
22		Left reduction element	47		Support for suspensions
23		Right reduction element	48		Punched bar
24		Coupler flange for fastening to switchboards	49		Integral sealed joint
25		Wall flange	50		Clip

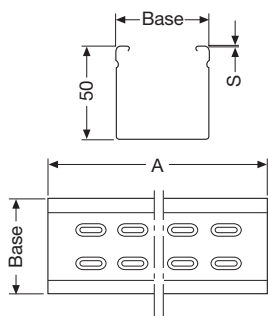
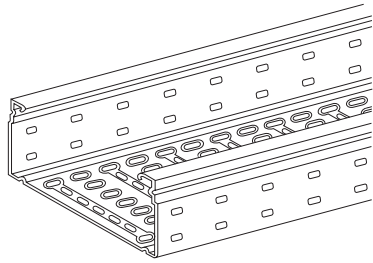
VLC00029



# Overall dimensions

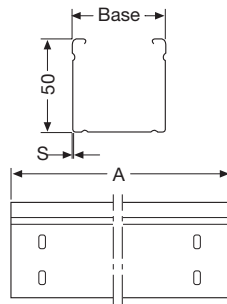
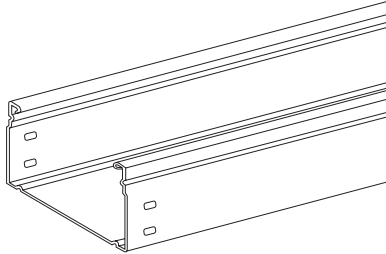
## Sendzimir trunkings H 50

**Punched base cable trunking IP20**



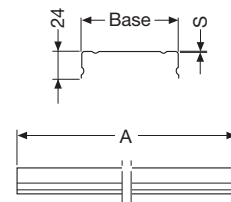
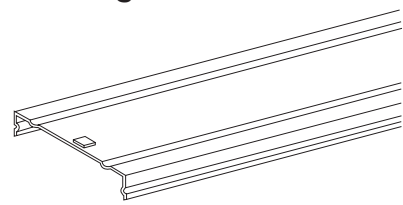
base	A	S
100	3000	0.8
150	3000	0.8
200	3000	1.0
300	3000	1.0
400	3000	1.2
500	3000	1.2

**Cable trunking IP40**



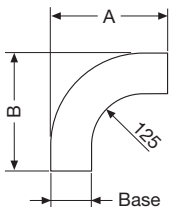
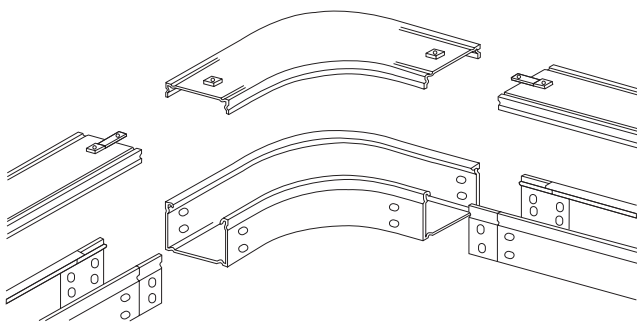
base	A	S
100	3000	0.8
150	3000	0.8
200	3000	1.0
300	3000	1.0
400	3000	1.2
500	3000	1.2

**Cover for cable trunking IP20 and IP40**



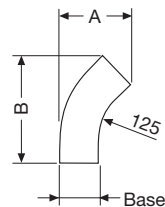
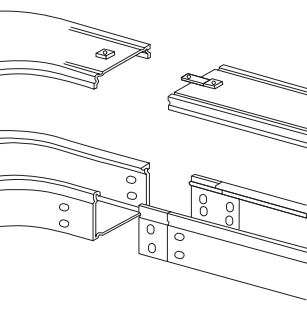
base	A	S
100	3000	0.6
150	3000	0.6
200	3000	0.6
300	3000	0.6
400	3000	0.8
500	3000	0.8

**90° flat corner**



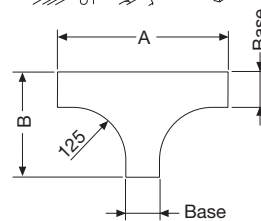
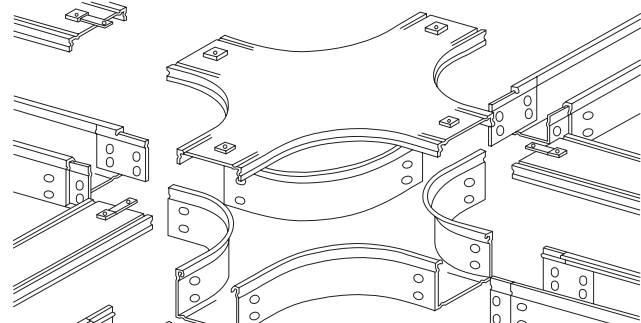
base	A	B
100	265	265
150	315	315
200	365	365
300	465	465
400	565	565
500	665	665

**45° flat corner**



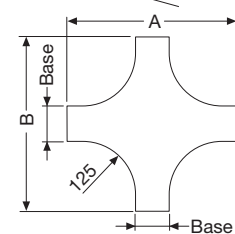
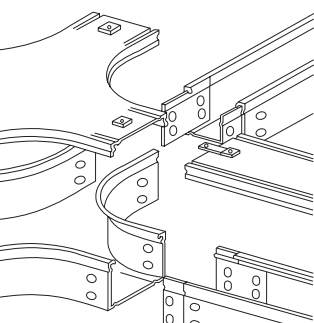
base	A	B
100	165	227
150	216	263
200	265	298
300	365	369
400	465	440
500	565	510

**Flat tee**



base	A	B
100	430	265
150	480	315
200	510	365
300	630	465
400	730	565
500	830	665

**Flat cross**



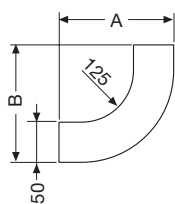
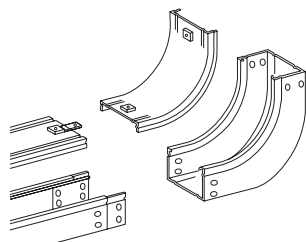
base	A	B
100	430	430
150	480	480
200	530	530
300	630	630
400	730	730
500	830	830

MCC0036

# Overall dimensions

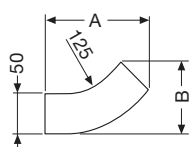
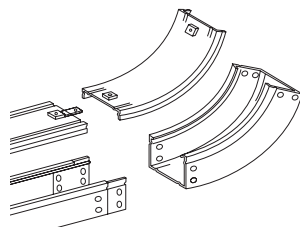
## Sendzimir trunkings H 50

90° vertical inside riser



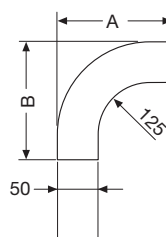
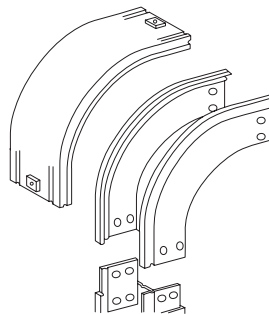
base	A	B
100	240	240
150	240	240
200	240	240
300	240	240
400	240	240
500	240	240

45° vertical inside riser



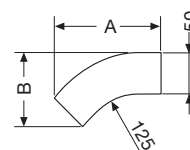
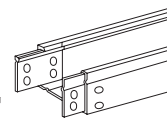
base	A	B
100	210	140
150	210	140
200	210	140
300	210	140
400	210	140
500	210	140

90° vertical outside riser



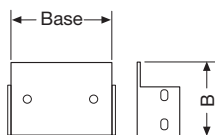
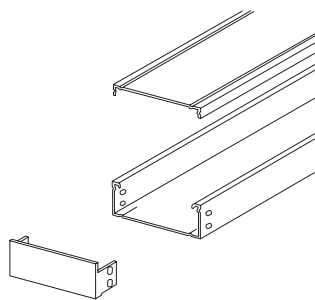
base	A	B
100	240	240
150	240	240
200	240	240
300	240	240
400	240	240
500	240	240

45° vertical outside riser



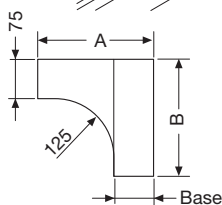
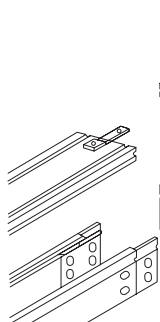
base	A	B
100	210	140
150	210	140
200	210	140
300	210	140
400	210	140
500	210	140

End cap



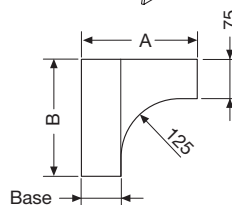
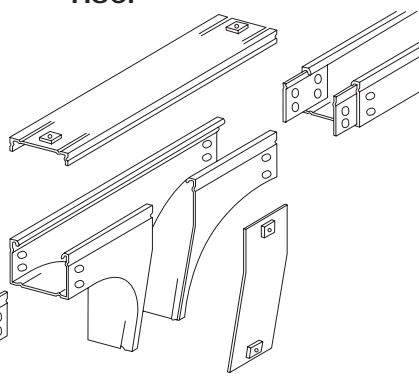
base	B
100	78
150	78
200	78
300	78
400	78
500	78

Left 90° outside riser



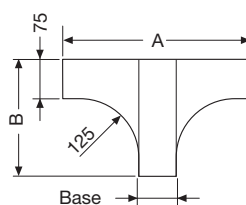
base	A	B
100	265	370
150	315	370
200	365	370
300	465	370
400	565	370
500	655	370

Right 90° outside riser



base	A	B
100	265	370
150	315	370
200	365	370
300	465	370
400	565	370
500	655	370

Vertical tee

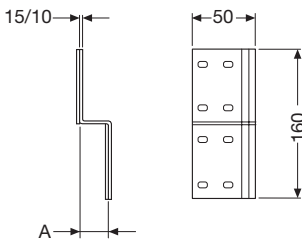
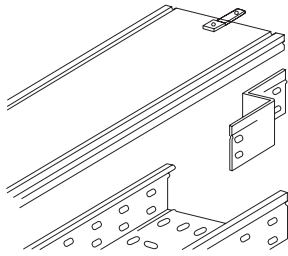


base	A	B
100	430	370
150	470	370
200	530	370
300	630	370
400	730	370
500	830	370

# Overall dimensions

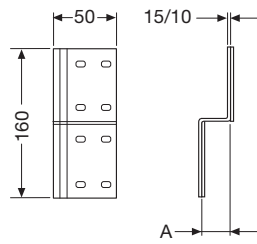
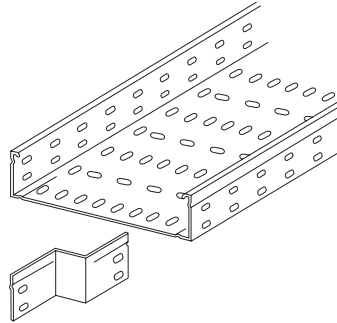
## Sendzimir trunkings H 50

Left reducer



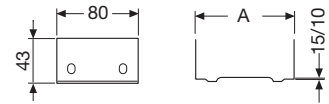
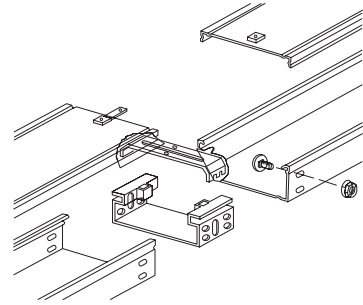
A
50
100
150
200

Right reducer



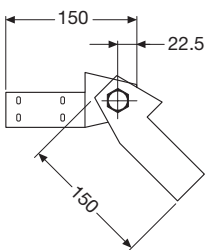
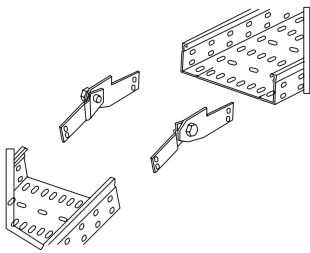
A
50
100
150
200

Integral mechanical joint

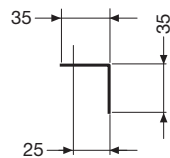
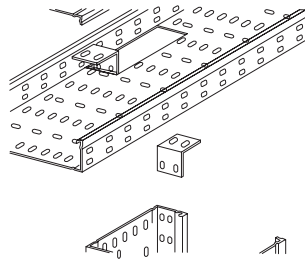


Base	A
100	98.4
150	148.4
200	198
300	298
400	397.6
500	497.6

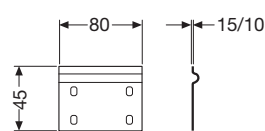
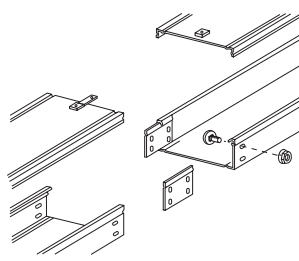
Adjustable joint



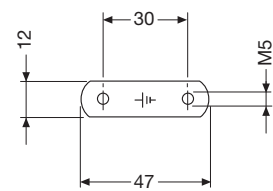
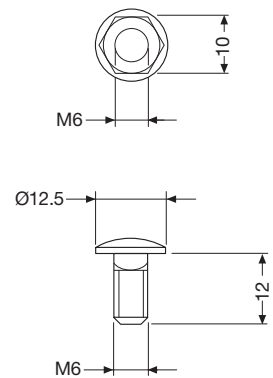
Flange for fastening to switchboards



Mechanical joint for trunkings



Screw, nut and earth staple

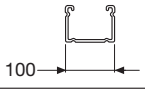
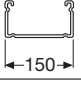
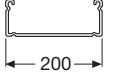
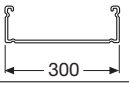
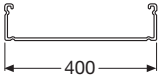
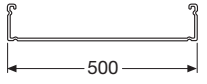


VLCC0038

# Overall dimensions

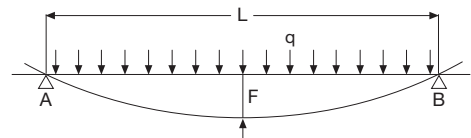
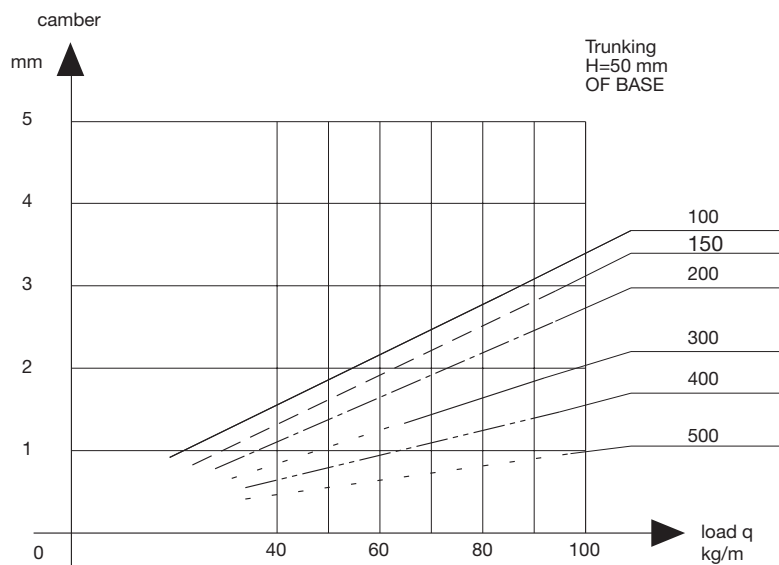
## Sendzimir trunkings H 50

### Trunking sections and number of cables that can be insert

Trunking dimensions	Geometric section of compart. cm <sup>2</sup>	Max. number of H07V-K unipolar wires with reduction coefficient = 50% under CEI 64-8												Max. compatible H07V-K cable for the system sec.mm <sup>2</sup>
		Sec. 6 mm <sup>2</sup>	Sec. 10 mm <sup>2</sup>	Sec. 16 mm <sup>2</sup>	Sec. 25 mm <sup>2</sup>	Sec. 35 mm <sup>2</sup>	Sec. 50 mm <sup>2</sup>	Sec. 70 mm <sup>2</sup>	Sec. 95 mm <sup>2</sup>	Sec. 120 mm <sup>2</sup>	Sec. 150 mm <sup>2</sup>	Sec. 185 mm <sup>2</sup>	Sec. 240 mm <sup>2</sup>	
 100	62	99	69	50	32	24	19	13	10	8	7	5	4	240
 150	100	151	103	76	49	38	28	20	16	13	10	8	7	240
 200	126	202	224	102	65	51	37	27	22	17	14	12	8	240
 300	189	305	244	154	99	76	57	41	33	27	21	17	13	240
 400	253	408	281	207	132	103	76	55	44	36	29	23	17	240
 500	317	510	352	259	166	128	96	69	55	46	36	29	23	240

### Diagrams of maximum loads for metal trunkings H 50

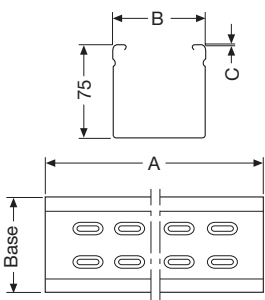
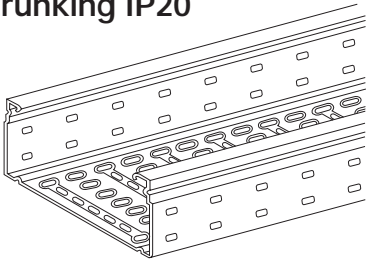
- evenly distributed load (q)
- trunkings/cable trays resting on two single constraints (A, B)
- span 2000 mm (L)
- maximum camber considered at the middle of span (F)
- ambient temperature 20° C



# Overall dimensions

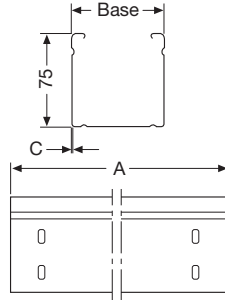
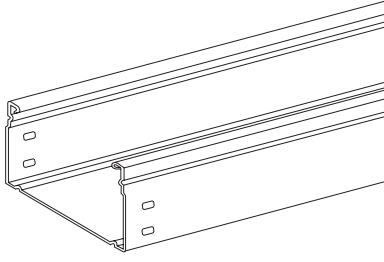
## Sendzimir trunkings H 75

### Punched base cable trunking IP20



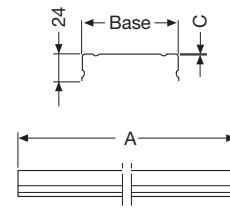
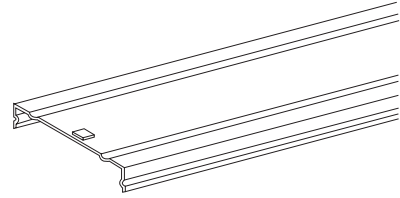
base	A	C	weight kg/m
75	1000/2000/3000	0.8	1.43
100	1000/2000/3000	0.8	1.58
150	1000/2000/3000	0.8	1.88
200	1000/2000/3000	0.8	2.08
300	1000/2000/3000	1.0	3.40
400	1000/2000/3000	1.2	4.84
500	1000/2000/3000	1.2	5.69

### Cable trunking IP40



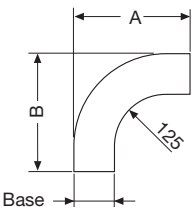
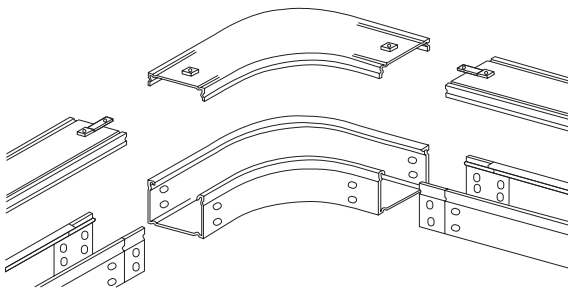
base	A	C	weight kg/m
75	1000/2000/3000	0.8	1.54
100	1000/2000/3000	0.8	1.70
150	1000/2000/3000	0.8	2.00
200	1000/2000/3000	0.8	2.32
300	1000/2000/3000	1.0	3.76
400	1000/2000/3000	1.2	5.37
500	1000/2000/3000	1.2	6.31

### Cover for cable trunking IP20 and IP40



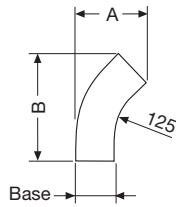
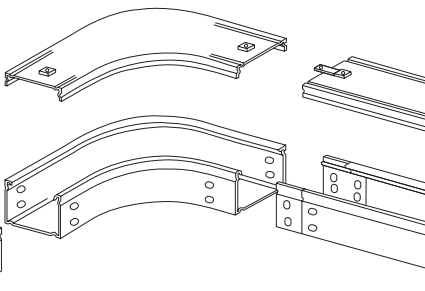
base	A	C	weight kg/m
75	1000/2000/3000	0.6	0.57
100	1000/2000/3000	0.6	0.69
150	1000/2000/3000	0.6	0.92
200	1000/2000/3000	0.6	1.16
300	1000/2000/3000	0.6	2.16
400	1000/2000/3000	0.8	2.79
500	1000/2000/3000	0.8	3.48

### 90° flat corner



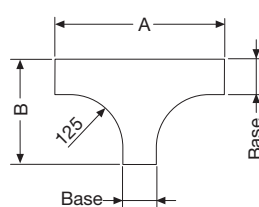
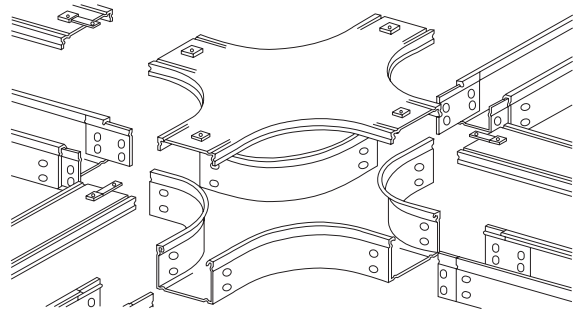
base	A	B	weight kg
75	240	240	0.94
100	265	265	1.14
150	315	315	1.48
200	365	365	1.86
300	465	465	2.73
400	565	565	3.76
500	665	665	4.95

### 45° flat corner



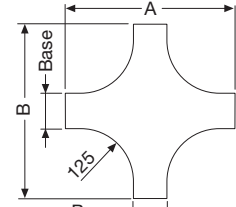
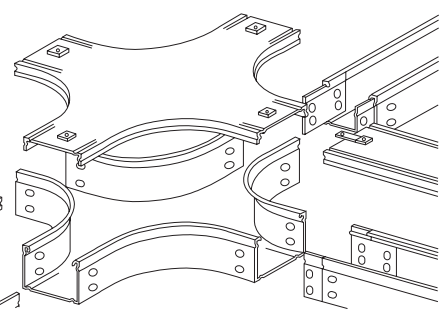
base	A	B	weight kg
75	140	210	0.53
100	165	227	0.65
150	215	263	0.82
200	265	298	1.00
300	365	369	1.41
400	465	440	1.78
500	565	510	2.40

### Flat tee



base	A	B	weight kg
75	405	240	1.22
100	430	265	1.45
150	480	315	1.83
200	530	365	2.24
300	630	465	3.18
400	730	565	4.28
500	830	665	5.54

### Flat cross



base	A	B	weight kg
75	405	405	1.20
100	430	430	2.00
150	480	480	2.41
200	530	530	2.86
300	630	630	3.87
400	730	730	5.04
500	830	830	6.37

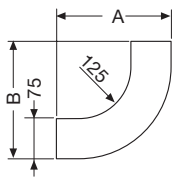
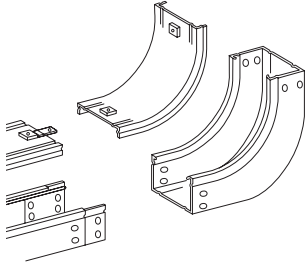
12

VLCC0040

# Overall dimensions

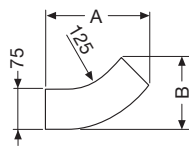
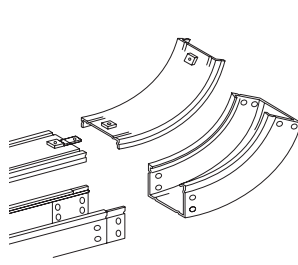
## Sendzimir trunkings H 75

90° vertical inside riser



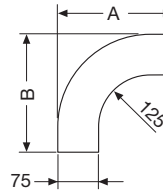
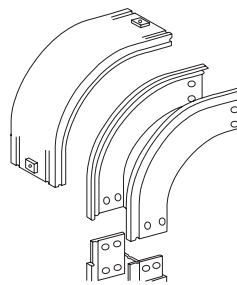
base	A	B	weight kg
75	240	240	0.82
100	240	240	1.07
150	240	240	1.26
200	240	240	1.44
300	240	240	1.83
400	240	240	2.19
500	240	240	2.56

45° vertical inside riser



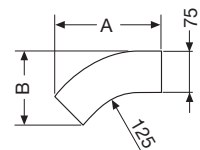
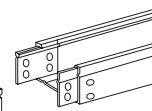
base	A	B	weight kg
75	210	140	0.84
100	210	140	0.96
150	210	140	0.76
200	210	140	0.87
300	210	140	1.11
400	210	140	1.32
500	210	140	1.55

90° vertical outside riser



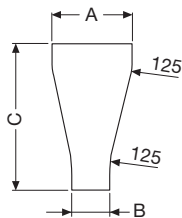
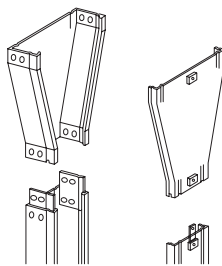
base	A	B	weight kg
75	240	240	0.84
100	240	240	0.96
150	240	240	1.09
200	240	240	1.22
300	240	240	1.48
400	240	240	1.75
500	240	240	2.05

45° vertical outside riser



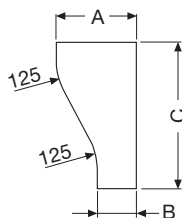
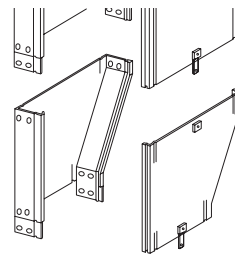
base	A	B	weight kg
75	210	140	0.50
100	210	140	0.65
150	210	140	0.76
200	210	140	0.87
300	210	140	1.11
400	210	140	1.32
500	210	140	1.55

Concentric reducer

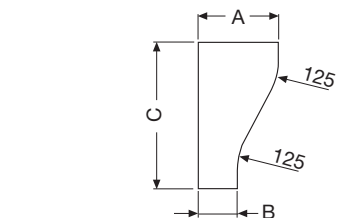


A	B	C	weight kg
100	75	300	1.20
150	75	300	1.25
150	100	300	1.30
200	75	300	1.45
200	100	300	1.51
200	150	300	1.61
300	200	300	2.15
400	300	300	2.55
500	400	300	3.01

Left and right reducer



A	B	C	weight kg
100	75	300	1.00
150	75	300	1.23
150	100	300	1.27
200	75	300	1.42
200	100	300	1.49
200	150	300	1.57
300	200	300	1.90
400	300	300	2.58
500	400	300	3.05



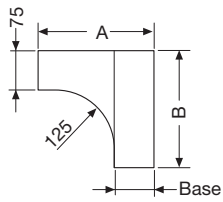
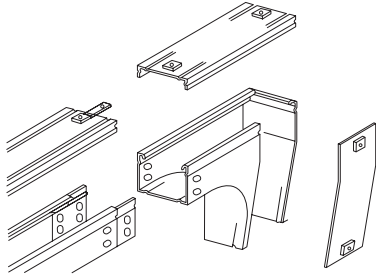
A	B	C	weight kg
100	75	300	1.00
150	75	300	1.23
150	100	300	1.27
200	75	300	1.42
200	100	300	1.49
200	150	300	1.57
300	200	300	1.90
400	300	300	2.58
500	400	300	3.05

VLCC0041

# Overall dimensions

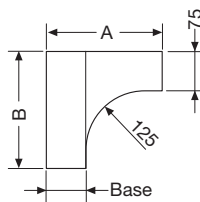
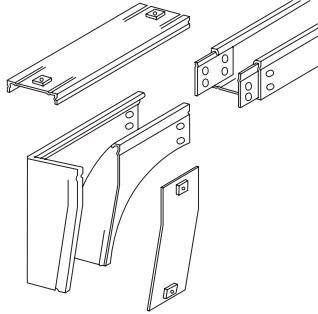
## Sendzimir trunkings H 75

### Left 90° outside riser

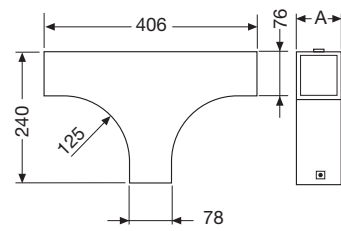
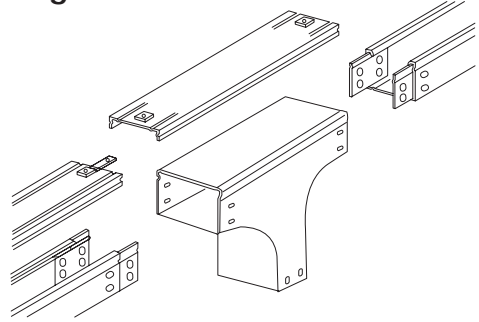


base	A	B	weight kg
75	240	370	1.25
100	265	370	1.48
150	315	370	1.78
200	365	370	2.67
300	465	370	3.20
400	565	370	6.90
500	665	370	9.30

### Right 90° outside riser

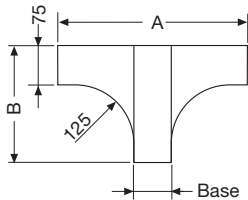
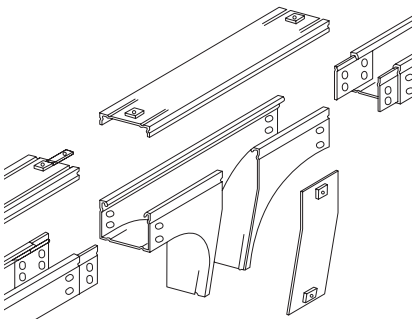


### Vertical tee without level gradient



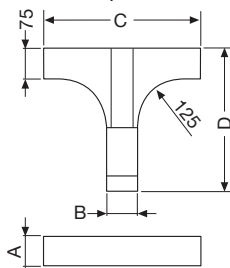
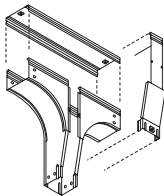
A	weight kg
75	1.50
100	1.75
150	2.11
200	2.37
300	3.02
400	3.74
500	4.47

### Vertical tee with level gradient



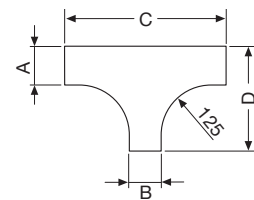
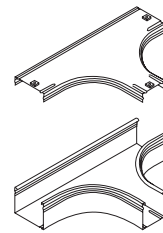
base	A	B	weight kg
75	405	370	2.75
100	430	370	2.85
150	480	370	3.25
200	530	370	3.60
300	630	370	4.40
400	730	370	7.43
500	830	370	10.33

### Vertical tee with reduction



A	B	C	D	weight kg
100	75	405	370	2.13
150	75	405	370	2.53
150	100	430	370	2.66
200	75	405	370	2.9
200	100	430	370	3.09
200	150	480	370	3.45
300	75	405	370	3.69
300	100	430	370	3.9
300	150	480	370	4.32
300	200	530	370	4.8

### Flat tee with reduction



A	B	C	D	weight kg
100	75	407	266	1.7
150	75	407	316	1.97
150	100	432	316	2.08
200	75	407	366	2.26
200	100	432	366	2.40
200	150	482	366	2.69
300	75	407	466	2.80
300	100	432	466	2.96
300	150	482	466	3.40
300	200	532	466	3.76

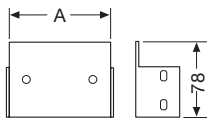
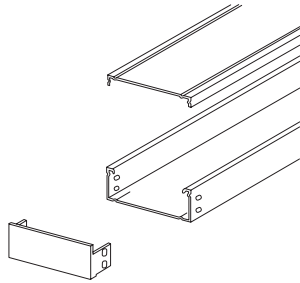
12

VLCC0042

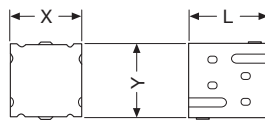
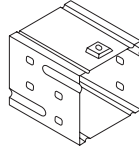
# Overall dimensions

## Sendzimir trunkings H 75

### End cap



### Straight inversion element



A	weight kg
75	0.085
100	0.100
150	0.135
200	0.170
300	0.240
400	0.310
500	0.380

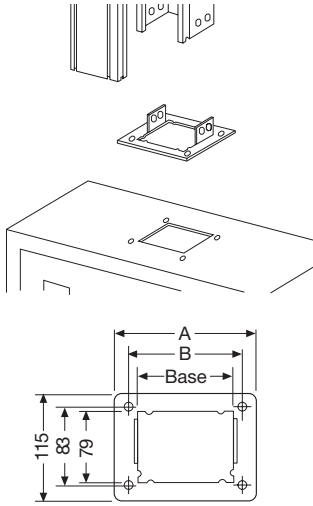
base	X	Y	L
75	75	78.5	85
100	100	78.5	85
150	150	78.5	85
200	200	78.5	85
300	300	78.5	85
400	400	78.5	85
500	500	78.5	85



# Overall dimensions

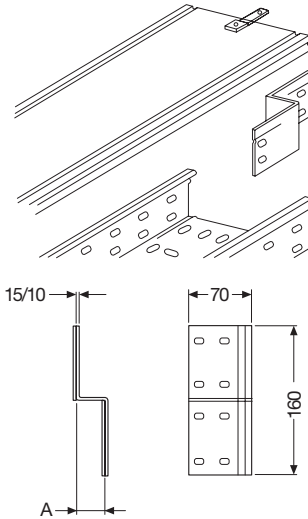
## Sendzimir trunkings H 75

### Coupler flange for fastening to switchboards



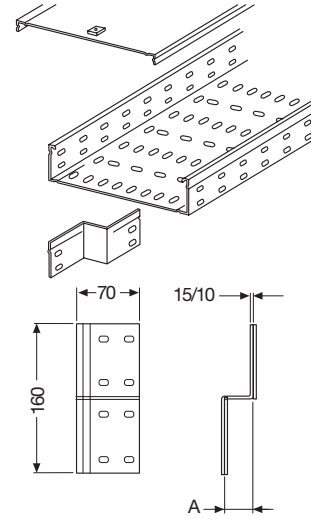
base	A	B	weight kg
75	125	93	0.14
100	150	118	0.16
150	200	168	0.18
200	250	218	0.20
300	350	318	0.25
400	450	418	0.32
500	550	518	0.38

### Left reducer



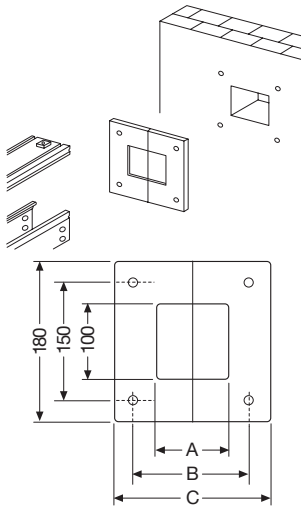
A	weight kg
50	0.13
100	0.16
150	0.20
200	0.23

### Right reducer



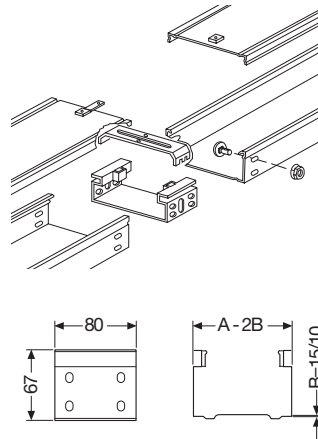
A	weight kg
50	0.13
100	0.16
150	0.20
200	0.23

### Wall flange



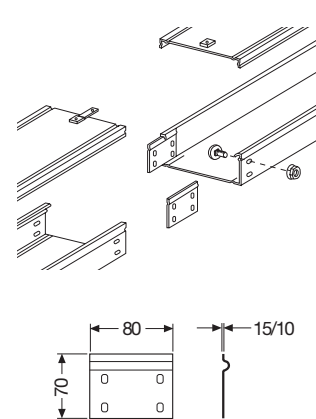
A	B	C	weight kg
75	145	180	0.45
100	165	200	0.48
150	215	250	0.6
200	265	300	0.73
300	365	400	0.96
400	465	500	1.19
500	565	600	1.41

### Mechanical integral joint and retainer



A	weight kg
75	0.24
100	0.34
150	0.50
200	0.68
300	1.02
400	1.36
500	1.70

### Mechanical joint

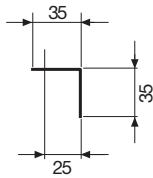
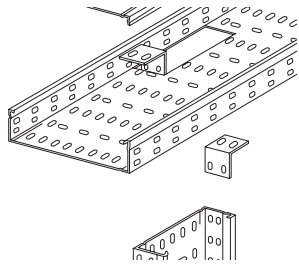


VILCC0044

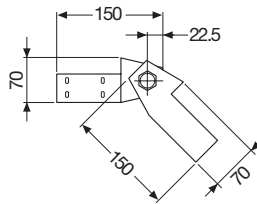
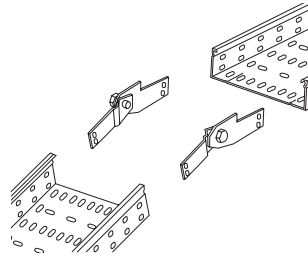
# Overall dimensions

## Sendzimir trunkings H 75

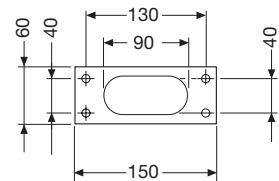
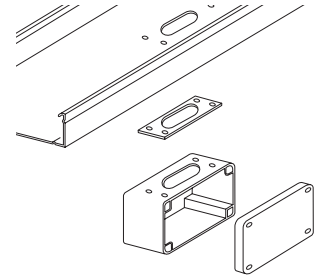
### Vertical joint fixed at 90°



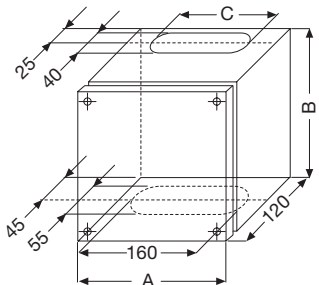
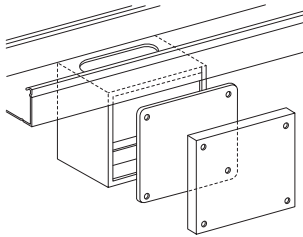
### Adjustable joint



### Branch connection coupler

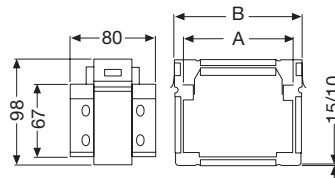
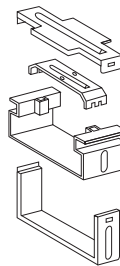


### Metal branch connection box IP55



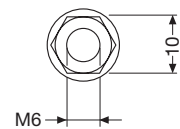
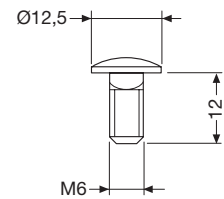
article	A	B	C
07 857	200	200	140
07 858	300	300	240
07 859	400	400	340
07 860	600	600	540

### IP44 joint



A	B
75	93
100	118
150	168
200	218
300	318
400	418
500	518

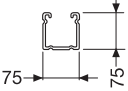
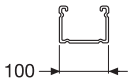
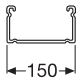
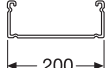
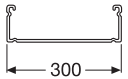
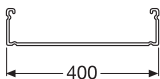
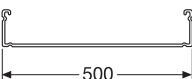
### Screws and nut



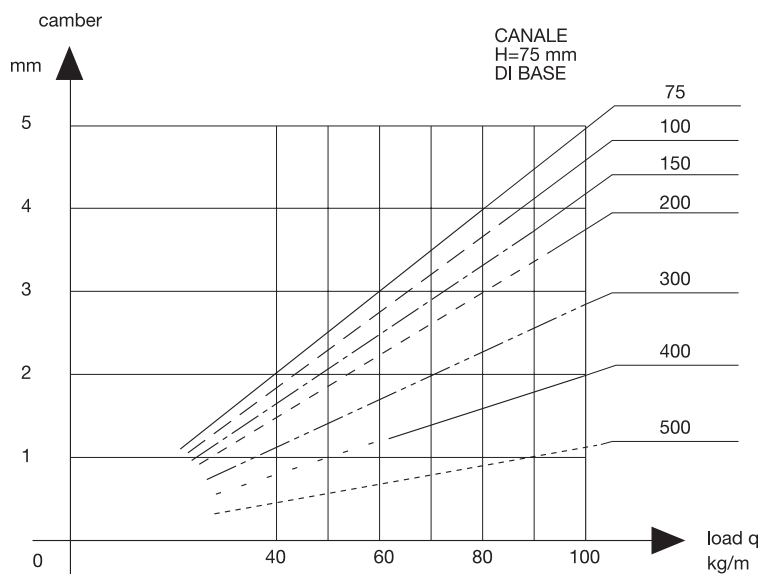
# Overall dimensions

## Sendzimir trunkings H 75

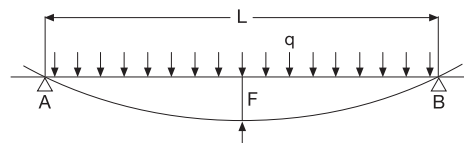
### Trunking sections and number of cables that can be insert

Trunking dimensions	Geometric section of compart. cm <sup>2</sup>	Max. number of H07V-K unipolar wires with reduction coefficient = 50% under CEI 64-8													Max. compatible H07V-K cable for the system sec.mm <sup>2</sup>
		Sez. 6 mm <sup>2</sup>	Sez. 10 mm <sup>2</sup>	Sez. 16 mm <sup>2</sup>	Sez. 25 mm <sup>2</sup>	Sez. 35 mm <sup>2</sup>	Sez. 50 mm <sup>2</sup>	Sez. 70 mm <sup>2</sup>	Sez. 95 mm <sup>2</sup>	Sez. 120 mm <sup>2</sup>	Sez. 150 mm <sup>2</sup>	Sez. 185 mm <sup>2</sup>	Sez. 240 mm <sup>2</sup>		
	54.25	87	60	44	28	22	16	11	9	7	6	5	4	240	
	73	117	81	59	38	29	22	16	12	10	8	6	5	240	
	110.5	178	122	90	58	45	33	24	19	16	12	10	8	240	
	148	238	264	121	77	60	44	32	26	21	17	14	10	240	
	223	359	287	182	117	90	67	49	39	32	25	21	16	240	
	298	480	331	244	156	121	90	65	52	43	34	28	21	240	
	373	601	414	305	196	151	113	82	65	54	43	35	27	240	

### Diagrams of maximum loads for metal trunkings H 75



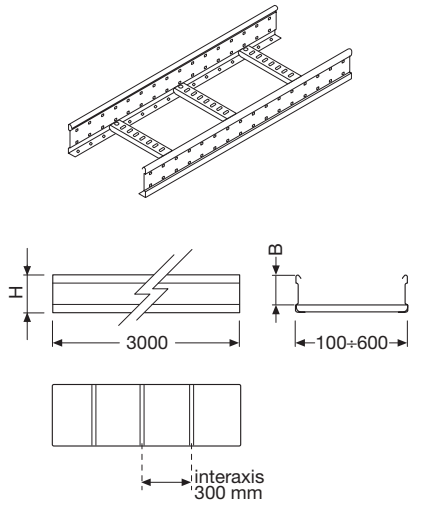
- evenly distributed load (q)
- trunkings/cable trays resting on two single constraints (A, B)
- span 2000 mm (L)
- maximum camber considered at the middle of span (F)
- ambient temperature 20° C



# Overall dimensions

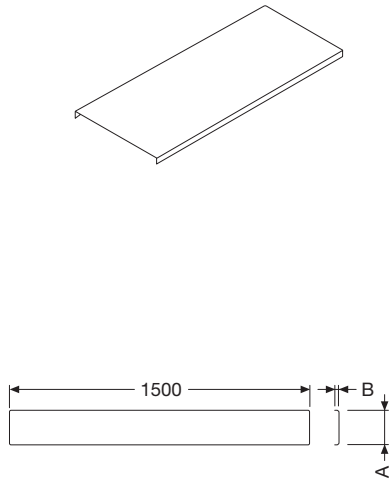
## Cable trays-hot dip galvanised after production

### Cable ladder



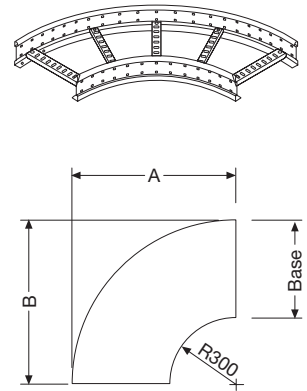
H	B (working space)
60	40
100	80
130	110

### Cover



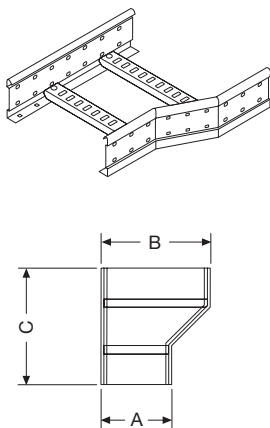
A	B	thickness
100	26,3	1.2
200	26,3	1.2
300	26,3	1.2
400	26,3	1.2
500	26,3	1.2
600	26,3	1.2

### 90° flat corner



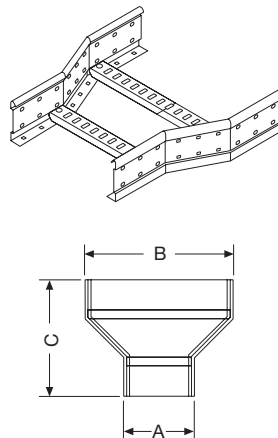
Base	A	B
100	545	545
200	645	645
300	745	745
400	845	845
500	945	945
600	1045	1045

### Right reducer



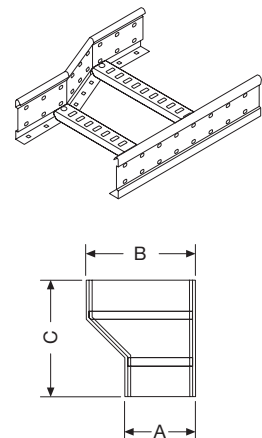
A	B	C
100	200	600
100	300	600
200	300	600
200	400	600
300	400	600
300	500	600
400	500	600
400	600	600
500	600	600

### Concentric reducer



A	B	C
100	200	600
100	300	600
200	300	600
200	400	600
300	400	600
300	500	600
400	500	600
400	600	600
500	600	600

### Left reducer



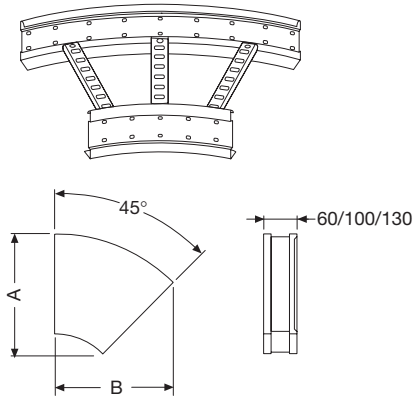
A	B	C
100	200	600
100	300	600
200	300	600
200	400	600
300	400	600
300	500	600
400	500	600
400	600	600
500	600	600

VLC0054

# Overall dimensions

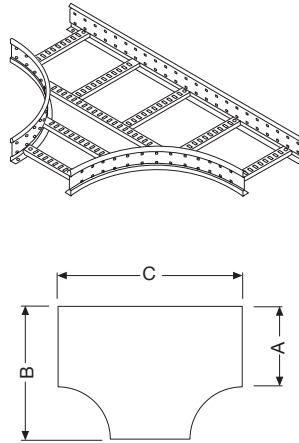
Cable trays-hot dip galvanised after production

## 45° flat corner



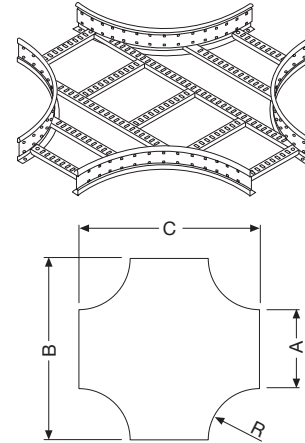
Base	A	B
100	290	530
200	390	601
300	490	672
400	590	742
500	690	813
600	790	884

## Flat tee



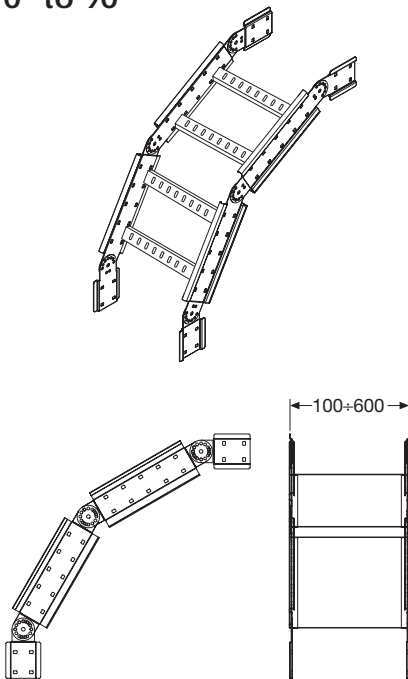
A	B	C
100	545	990
200	645	1090
300	745	1190
400	845	1290
500	945	1390
600	1045	1490

## Flat cross

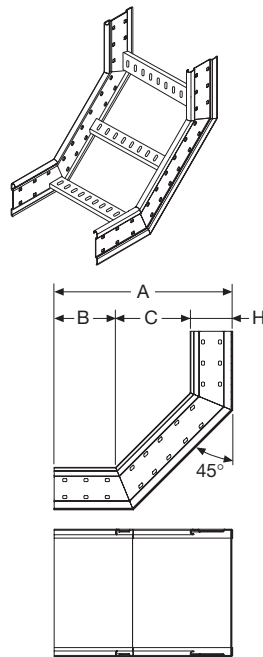


A	B	C
100	990	990
200	1090	1090
300	1190	1190
400	1290	1290
500	1390	1390
600	1490	1490

## Vertical inside and outside riser adjustable from 0° to 90°

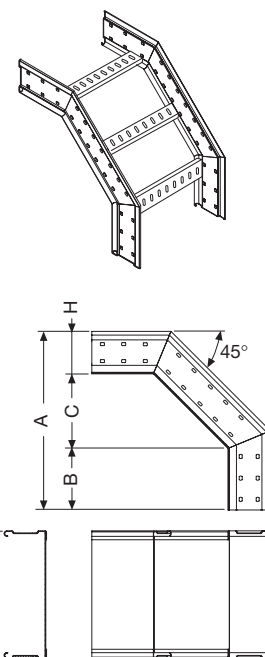


## 90° vertical inside riser



H	A	B	C
60	380.7	145	175.7
100	420.7	145	175.7
130	450.7	145	175.7

## 90° vertical outside riser



H	A	B	C
60	380.7	145	175.7
100	420.7	145	175.7
130	450.7	145	175.7

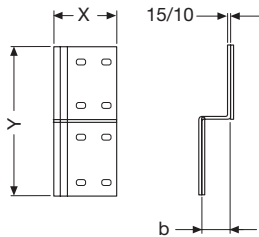
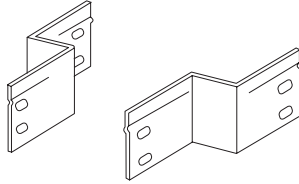
12

VLCC0055

# Overall dimensions

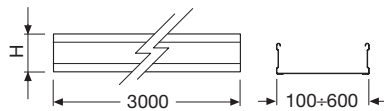
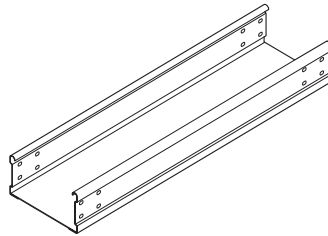
## Cable trays-hot dip galvanised after production

### Left and right reduction element



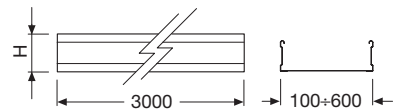
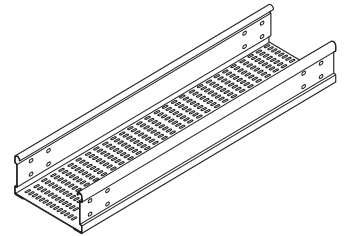
b	Y
50	180
100	180
200	180

### Closed base cable tray



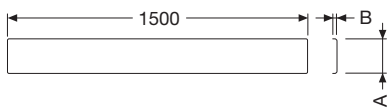
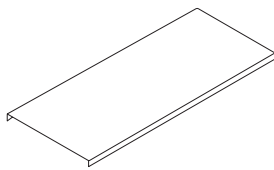
H	thickness
60	1.2
100	1.2
130	1.2

### Punched base cable tray



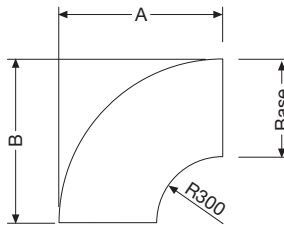
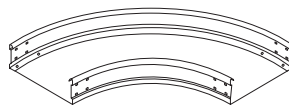
H	thickness
60	1.2
100	1.2
130	1.2

### Cover



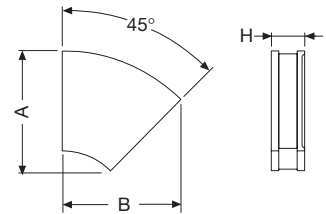
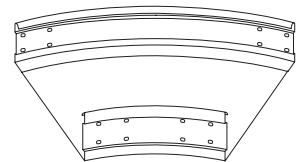
A	B	thickness
100	26.3	1.2
200	26.3	1.2
300	26.3	1.2
400	26.3	1.2
500	26.3	1.2
600	26.3	1.2

### 90° flat corner



base	A	B
100	545	545
200	645	645
300	745	745
400	845	845
500	945	945
600	1045	1045

### 45° flat corner



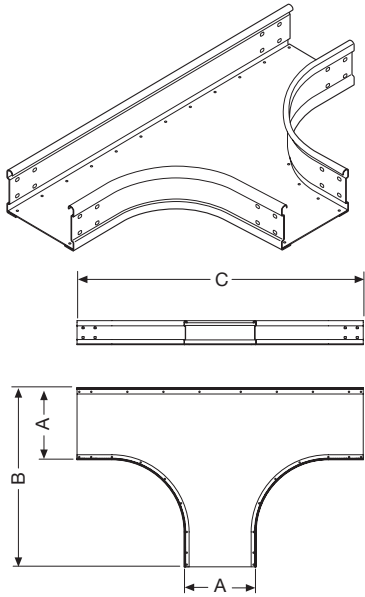
base	A	B
100	290	530
200	390	601
300	490	672
400	590	742
500	690	813
600	790	884

VLCC0056

# Overall dimensions

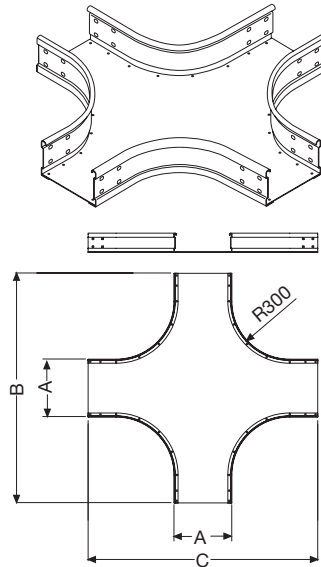
Cable trays-hot dip galvanised after production

## Flat tee



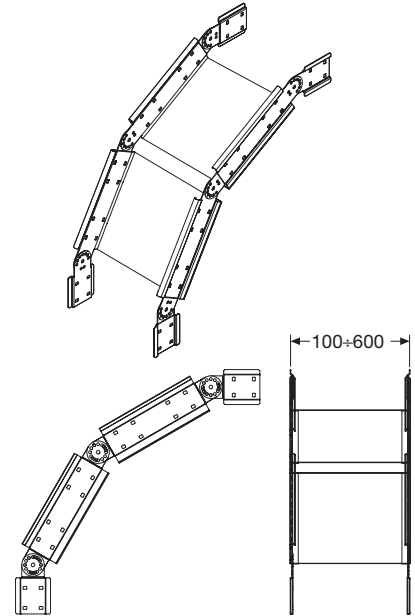
A	B	C
100	545	990
200	645	1090
300	745	1190
400	845	1290
500	945	1390
600	1045	1490

## Flat cross

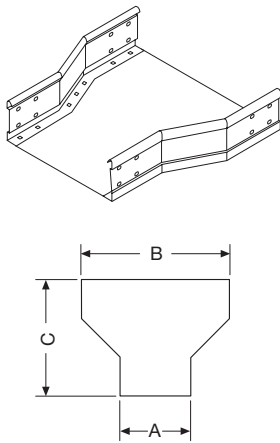


A	B	C
100	990	990
200	1090	1090
300	1190	1190
400	1290	1290
500	1390	1390
600	1490	1490

## Vertical inside/outside riser adjustable from 0° to 90°

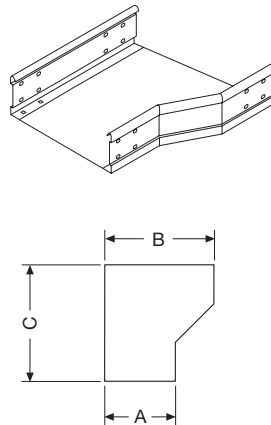


## Concentric reducer



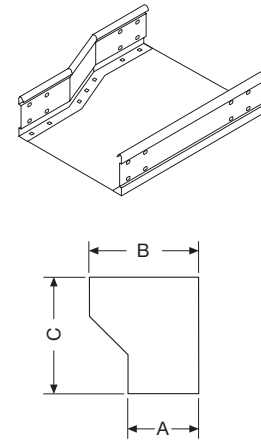
A	B	C
100	200	600
100	300	600
200	300	600
200	400	600
300	400	600
300	500	600
400	500	600
400	600	600
500	600	600

## Right reducer



A	B	C
100	200	600
100	300	600
200	300	600
200	400	600
300	400	600
300	500	600
400	500	600
400	600	600
500	600	600

## Left reducer

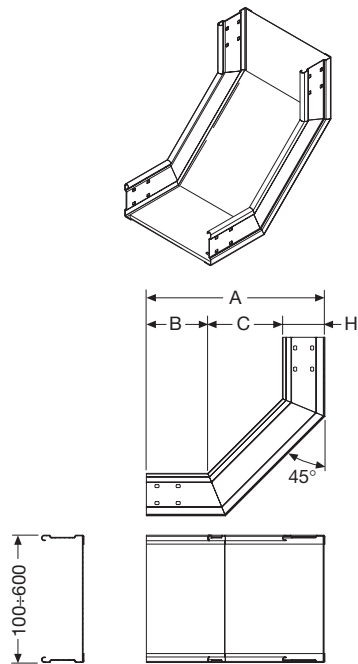


A	B	C
100	200	600
100	300	600
200	300	600
200	400	600
300	400	600
300	500	600
400	500	600
400	600	600
500	600	600

# Overall dimensions

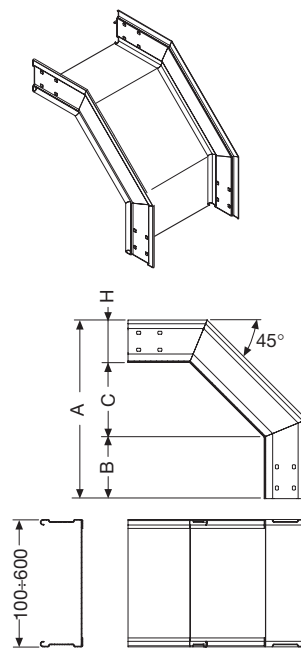
Cable trays-hot dip galvanised after production

90° vertical inside riser



H	A	B	C
60	380.7	145	175.7
100	420.7	145	175.7
130	450.7	145	175.7

90° vertical outside riser



H	A	B	C
60	380.7	145	175.7
100	420.7	145	175.7
130	450.7	145	175.7

VLC00058

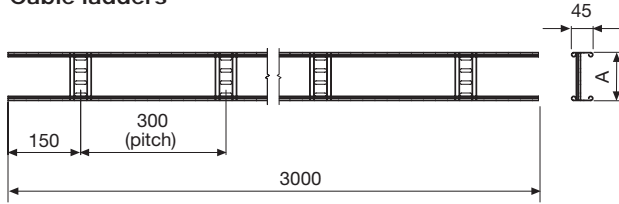


# Overall dimensions

## Cable trays with electrogalvanization

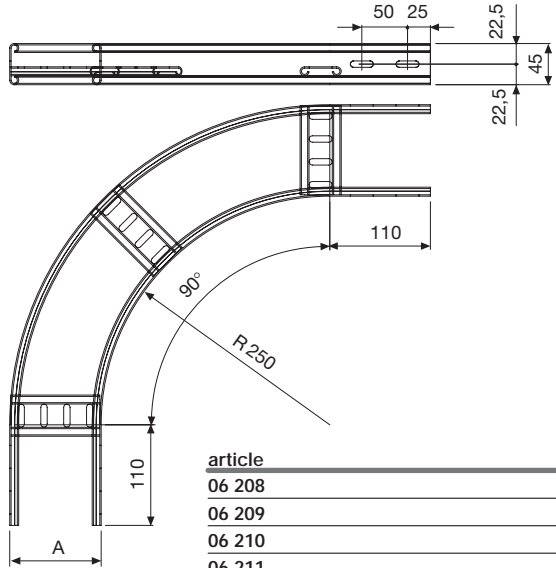
### Cable ladders H 45 mm for naval application

Cable ladders



article	A
06 200	150
06 201	200
06 202	300
06 203	400
06 204	500
06 205	600

90° flat corner

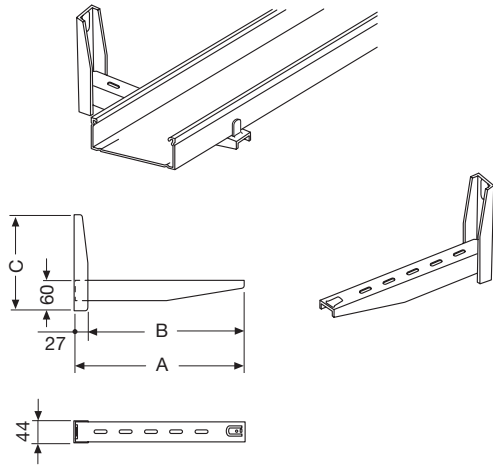


article	A
06 208	150
06 209	200
06 210	300
06 211	400
06 212	500
06 213	600

# Overall dimensions

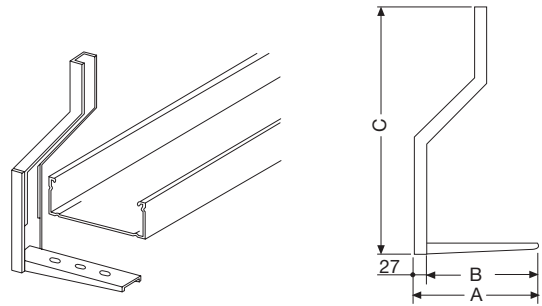
## Suspension systems for industrial trunkings

### Bracket



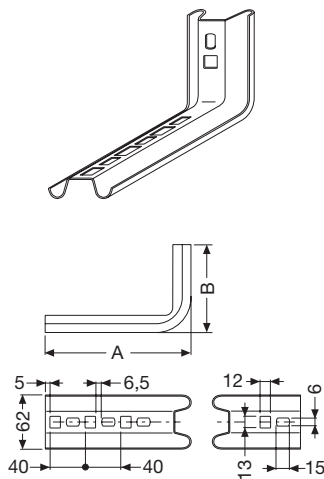
article	base	A	B	C	capacity (N)
07 901 - 07 911 - 08 801	75	112	85	115	600
07 902 - 07 912 - 08 802	100	137	110	115	600
07 903 - 07 913 - 08 803	150	187	160	115	600
07 904 - 07 914 - 08 804	200	237	210	115	650
07 905 - 07 915 - 08 805	300	337	310	190	650
07 906 - 07 916 - 08 806	400	437	410	190	900
07 907 - 07 917 - 08 807	500	537	510	190	1100

### Chair bracket



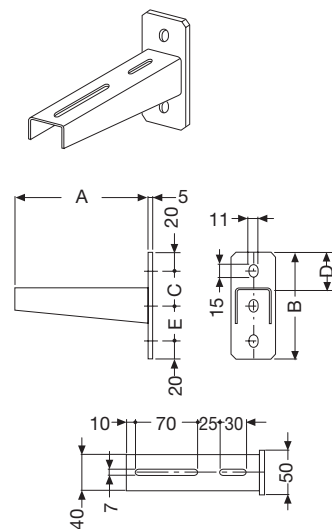
article	base	A	B	C	capacity (N)
07 908 - 07 918 - 08 811	75/100/150	187	160	415	600
07 909 - 07 919 - 08 812	200/300	337	310	490	650

### Light pressed brackets



article	base	A	B	capacity (N)
07 671 - 07 681 - 08 881	75	138	100	1000
07 672 - 07 682 - 08 882	100	163	100	1000
07 673 - 07 683 - 08 883	150	213	100	750
07 674 - 07 684 - 08 884	200	266	140	600
07 675 - 07 685 - 08 885	300	366	140	450
07 676 - 07 686 - 08 886	400	466	180	400
07 677 - 07 687 - 08 887	500	566	180	300

### Heavy bracket

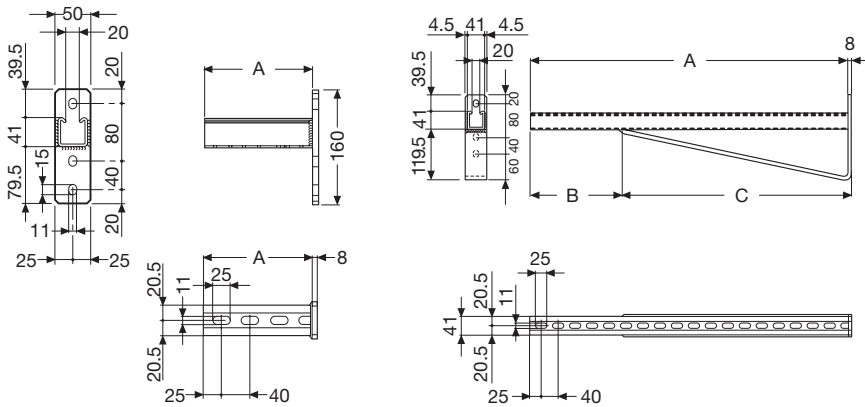


article	A	B	C	D	E	capacity (N)
07 785	150	120	40	40	40	1800
07 786	250	120	40	40	40	1800
07 787	350	160	40	40	80	1800
07 788	450	160	40	40	80	2000
07 789	550	160	40	40	80	2000
07 790	650	160	40	40	80	2000

# Overall dimensions

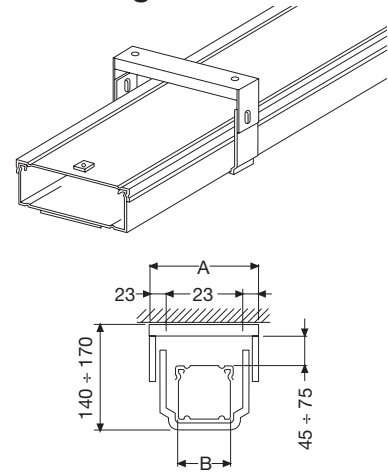
## Suspension systems for industrial trunkings

### Alfen profile bracket



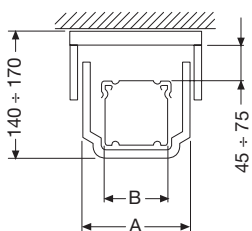
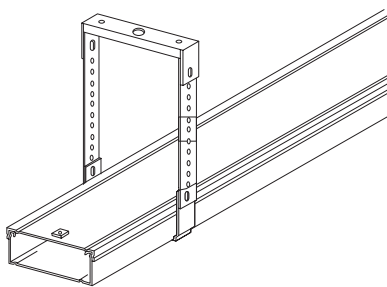
article	A	B	C	capacity (N)
09 770	150	-	-	2000
09 771	250	-	-	1700
09 772	350	-	-	1500
09 773	450	-	-	1300
09 774	550	214	344	2500
09 775	650	314	344	2200
09 776	750	214	543	2500
09 777	850	314	543	2400
09 778	950	414	543	2300
09 779	1050	514	543	2200

### Cross piece for fastening to the ceiling



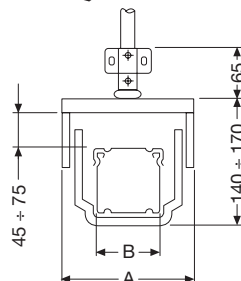
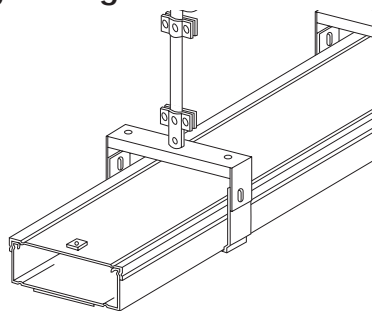
article	A	B
07 941 - 07 951 - 08 831	106	75
07 942 - 07 952 - 08 832	131	100
07 943 - 07 953 - 08 833	181	150
07 944 - 07 954 - 08 834	231	200
07 945 - 07 955 - 08 835	331	300

### Support for suspension



article	A	B
07 961 - 07 971 - 08 841	103	75
07 962 - 07 972 - 08 842	128	100
07 963 - 07 973 - 08 843	178	150
07 964 - 07 974 - 08 844	228	200
07 965 - 07 975 - 08 845	328	300

### Cross piece with conduit-tightening collar Ø 22 mm



article	A	B
07 921 - 07 931 - 08 821	106	75
07 922 - 07 932 - 08 822	131	100
07 923 - 07 933 - 08 823	181	150
07 924 - 07 934 - 08 824	231	200
07 925 - 07 935 - 08 825	331	300

12

VLC00049

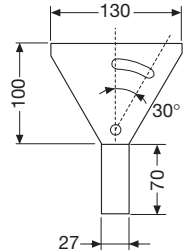
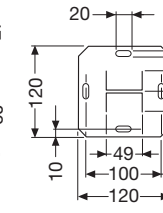
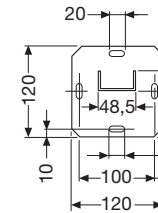
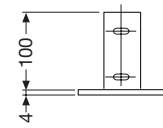
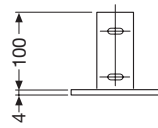
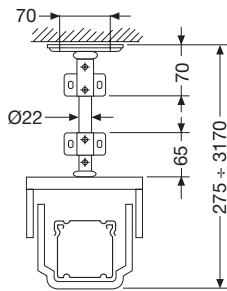
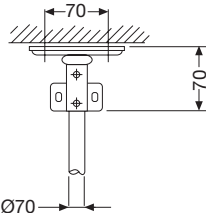
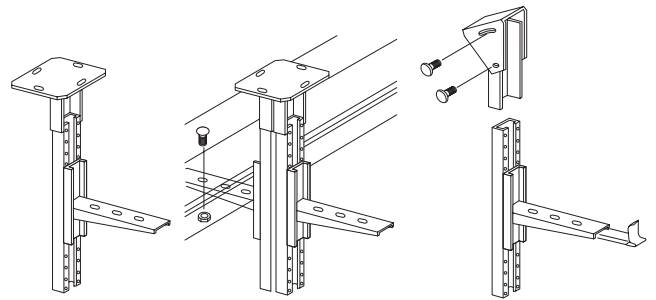
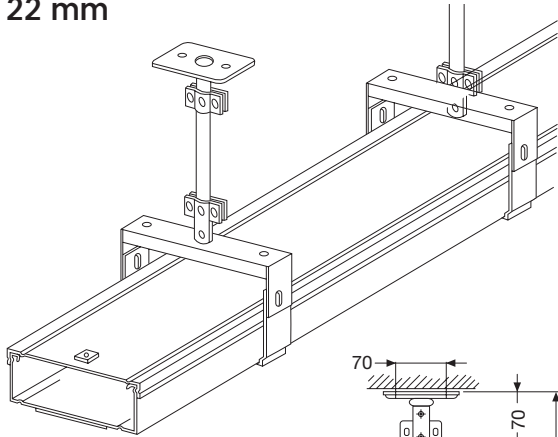
# Overall dimensions

## Suspension systems for industrial trunkings

Plate with conduit-tightening collar  
Ø 22 mm

Conduit Ø 22 mm

Ceiling anchorage plate



article  
07 978 - 07 979 - 08 854

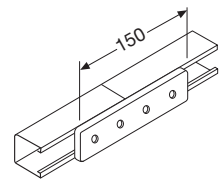
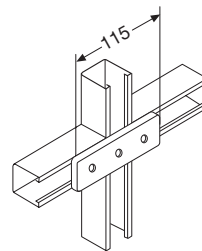
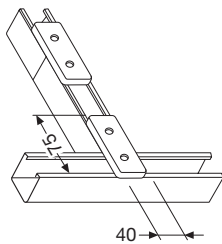
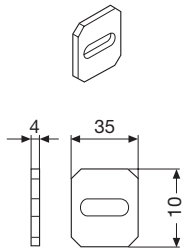
article  
07 982 - 07 983 - 08 862

article  
07 986 - 07 987 - 08 851

article  
07 988 - 07 989 - 08 852

article  
07 990 - 07 991 - 08 853

### Flat punched fastening

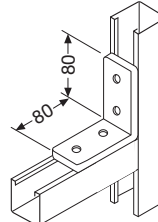
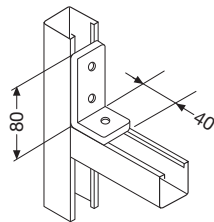
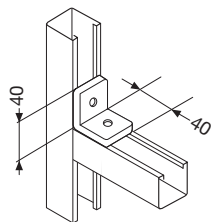


article  
07 437

article  
07 967

article  
07 976

article  
07 968



article  
07 969

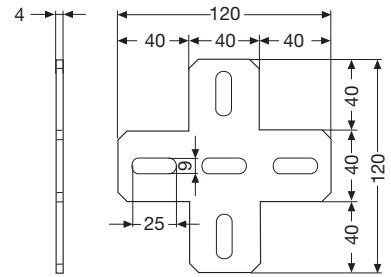
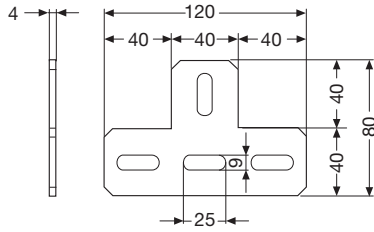
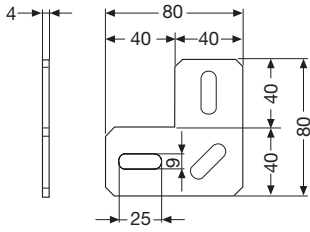
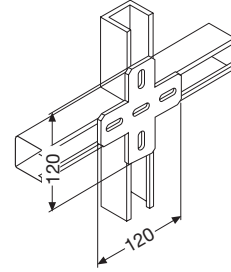
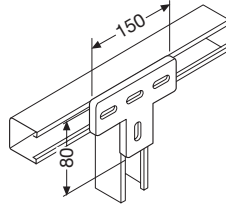
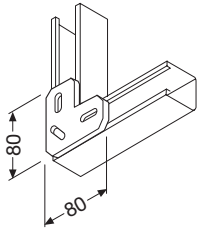
article  
07 977

article  
07 970

# Overall dimensions

## Suspension systems for industrial trunkings

### 90°, tee and cross punched fastening plate



article  
07 980

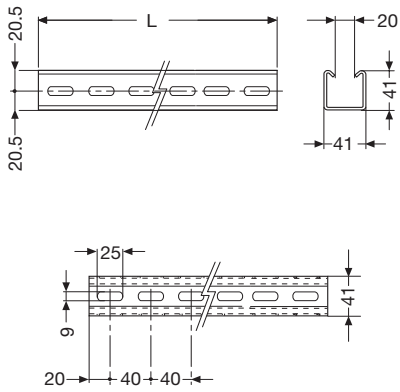
article  
07 981

article  
07 438

# Overall dimensions

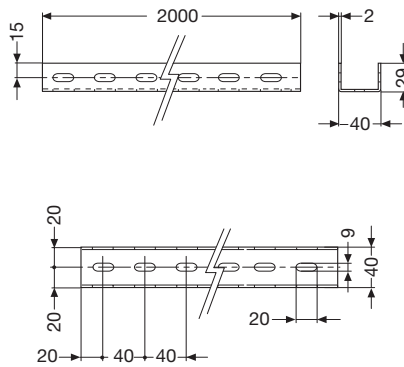
## Suspension systems for industrial trunkings

### Punched profile for anchorage screw



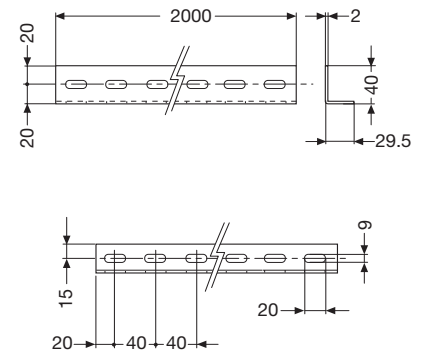
article	"L"
07 956	2000 mm
1SL9895A00	3000 mm
1SL9896A00	3000 mm

### "C" profile



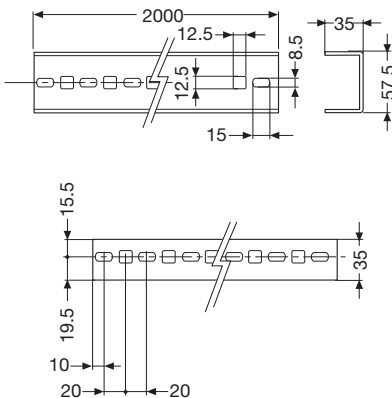
article
07 958 - 07 948 - 08 864

### Multi-purpose "L" profile



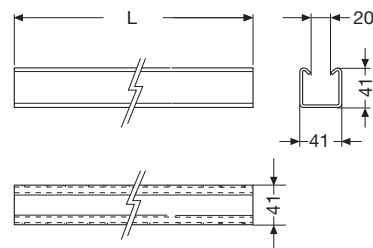
article
07 957 - 07 947 - 08 863

### Heavy "C" profile



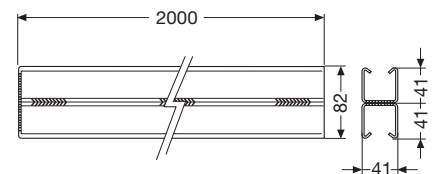
article
07 959

### Blind profile for anchorage screw



article	"L"
07 926	2000 mm
1SL9897A00	3000 mm

### Double blind profile

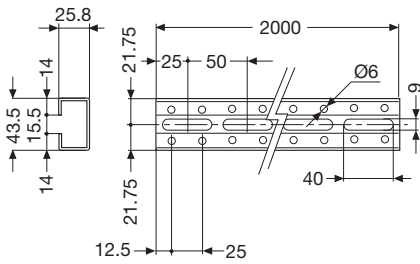
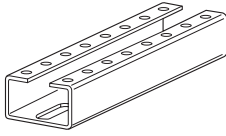


article
07 927

# Overall dimensions

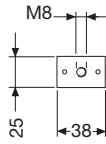
## Suspension systems for industrial trunkings

**"C" profile for suspension**



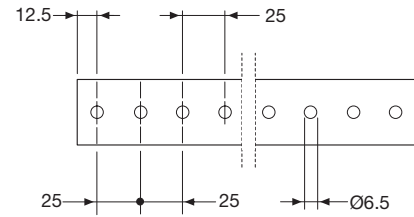
article  
07 992 - 07 993 - 08 861

**Blocking plate for "C" profile**



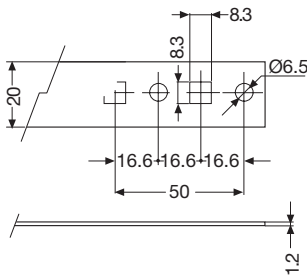
article  
07 995

**Galvanised punched bar**



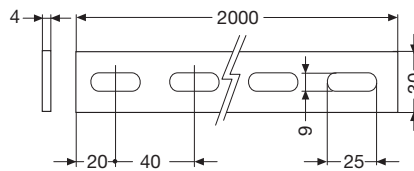
article  
07 996

**Light punched bars**



article  
07 997

**Flat punched profile**



article  
07 998

12



## Code list



# Code list

Article	Chapter/Page	Article	Chapter/Page	Article	Chapter/Page	Article	Chapter/Page
6218	9/97	01 825	4/9	02 524	6/7	03 364	5/7
6219	9/97	01 826	4/9	02 533	6/7	03 365	5/7
6221	9/97	01 827	4/9	02 534	6/7	03 366	5/7
6222	9/97	01 828	4/9	02 535	6/7	03 367	5/7
6225	9/97	01 831	4/9	02 543	6/7	03 368	5/7
6226	9/97	01 832	4/9	02 544	6/7	03 375	5/7
6227	9/97	01 832	6/4	02 545	6/7	03 376	5/7
6230	9/97	01 833	6/4	03 042	5/3	03 377	5/7
6231	9/97	01 930	4/7	03 043	5/3	03 378	5/7
6232	9/97	01 932	4/7	03 044	5/3	03 432	5/8
6235	9/97	01 934	4/7	03 045	5/3	03 433	5/8
6236	9/97	01 940	4/7	03 046	5/3	03 434	5/8
6237	9/97	01 942	4/7	03 053	5/3	03 435	5/8
6238	9/97	01 944	4/7	03 054	5/3	03 436	5/8
01 151	4/5	02 011	6/3	03 055	5/3	03 443	5/8
01 160	4/5	02 013	6/3	03 056	5/3	03 444	5/8
01 163	4/5	02 014	6/3	03 057	5/3	03 445	5/8
01 171	4/5	02 016	6/3	03 058	5/3	03 446	5/8
01 180	4/5	02 017	6/3	03 065	5/3	03 447	5/8
01 183	4/5	02 018	6/4	03 066	5/3	03 448	5/8
01 252	4/5	02 023	6/3	03 067	5/3	03 455	5/8
01 260	4/5	02 024	6/3	03 068	5/3	03 456	5/8
01 263	4/5	02 026	6/3	03 115	5/4	03 457	5/8
01 272	4/5	02 027	6/3	03 116	5/4	03 458	5/8
01 280	4/5	02 029	6/3	03 125	5/4	03 515	5/9
01 283	4/5	02 030	6/3	03 126	5/4	03 528	5/9
01 352	4/6	02 033	6/3	03 127	5/4	03 538	5/9
01 360	4/6	02 034	6/3	03 128	5/4	03 572	5/8
01 363	4/6	02 043	6/4	03 137	5/4	03 573	5/8
01 372	4/6	02 044	6/4	03 138	5/4	03 574	5/8
01 380	4/6	02 047	6/4	03 192	5/5	03 575	5/8
01 383	4/6	02 048	6/4	03 193	5/5	03 576	5/8
01 452	4/6	02 050	6/4	03 194	5/5	03 585	5/8
01 460	4/6	02 051	6/4	03 195	5/5	03 586	5/8
01 463	4/6	02 053	6/4	03 196	5/5	03 626	5/15
01 472	4/6	02 054	6/4	03 203	5/5	03 627	5/15
01 480	4/6	02 057	6/4	03 204	5/5	03 628	5/15
01 483	4/6	02 058	6/4	03 205	5/5	03 653	5/14
01 552	4/6	02 060	6/4	03 206	5/5	03 654	5/14
01 560	4/6	02 061	6/4	03 207	5/5	03 655	5/14
01 563	4/6	02 063	6/5	03 208	5/5	03 656	5/14
01 572	4/6	02 064	6/5	03 215	5/5	03 657	5/14
01 580	4/6	02 066	6/5	03 216	5/5	03 665	5/14
01 583	4/6	02 067	6/5	03 217	5/5	03 666	5/14
01 652	4/7	02 069	6/5	03 218	5/5	03 667	5/14
01 660	4/7	02 070	6/5	03 272	5/6	03 668	5/14
01 663	4/7	02 073	6/5	03 273	5/6	03 675	5/14
01 672	4/7	02 074	6/5	03 274	5/6	03 676	5/14
01 680	4/7	02 076	6/5	03 275	5/6	03 678	5/14
01 683	4/7	02 077	6/5	03 276	5/6	03 679	5/14
01 752	4/7	02 093	6/4	03 283	5/6	03 686	5/9
01 760	4/7	02 094	6/4	03 284	5/6	03 687	5/9
01 763	4/7	02 097	6/4	03 285	5/6	03 696	5/11
01 772	4/7	02 098	4/9	03 286	5/6	03 697	5/11
01 780	4/7	02 098	6/4	03 287	5/6	03 711	5/10
01 783	4/7	02 099	4/9	03 288	5/6	03 712	5/10
01 801	4/8	02 103	6/5	03 295	5/6	03 713	5/10
01 802	4/8	02 104	6/5	03 296	5/6	03 720	5/10
01 804	4/8	02 107	6/5	03 297	5/6	03 724	5/9
01 805	4/8	02 108	6/5	03 298	5/6	03 726	5/10
01 808	4/8	02 109	6/5	03 352	5/7	03 730	5/10
01 810	4/8	02 110	6/5	03 353	5/7	03 734	5/10
01 814	4/8	02 513	6/7	03 354	5/7	03 735	5/9
01 816	4/8	02 514	6/7	03 355	5/7	03 736	5/9
01 820	4/8	02 515	6/7	03 356	5/7	03 737	5/9
01 821	4/8	02 523	6/7	03 363	5/7	03 738	5/10

# Code list

Article	Chapter/Page	Article	Chapter/Page	Article	Chapter/Page	Article	Chapter/Page
03 739	5/10	05 147	8/5	05 960	4/9	06 362	9/24
03 754	5/11	05 149	8/5	05 963	4/9	06 363	9/9
03 755	5/11	05 151	8/5	06 095	9/47	06 363	9/24
03 756	5/11	05 153	8/5	06 200	9/97	06 364	9/9
03 757	5/11	05 163	8/5	06 201	9/97	06 364	9/24
03 758	5/11	05 165	8/5	06 202	9/97	06 365	9/9
03 774	5/13	05 167	8/5	06 203	9/97	06 365	9/24
03 775	5/13	05 169	8/5	06 204	9/97	06 366	9/9
03 776	5/13	05 171	8/5	06 205	9/97	06 366	9/24
03 777	5/13	05 173	8/5	06 208	9/97	06 367	9/9
03 778	5/13	05 183	8/5	06 209	9/97	06 367	9/24
03 794	5/13	05 185	8/5	06 210	9/97	06 372	9/10
03 795	5/13	05 187	8/5	06 211	9/97	06 373	9/10
03 796	5/13	05 189	8/5	06 212	9/97	06 374	9/10
03 797	5/13	05 191	8/5	06 213	9/97	06 375	9/10
03 798	5/13	05 193	8/5	06 215	9/97	06 376	9/10
03 816	5/13	05 194	8/5	06 216	9/97	06 377	9/10
03 817	5/13	05 195	8/5	06 240	9/98	06 381	9/23
03 818	5/13	05 196	8/5	06 241	9/98	06 382	9/10
03 836	5/13	05 197	8/5	06 242	9/98	06 382	9/23
03 837	5/13	05 198	8/5	06 243	9/98	06 383	9/10
03 838	5/13	05 199	8/5	06 244	9/98	06 383	9/23
03 856	5/13	05 214	8/7	06 247	9/98	06 384	9/10
03 857	5/13	05 216	8/7	06 248	9/98	06 384	9/23
03 858	5/13	05 224	8/7	06 249	9/98	06 385	9/10
03 865	5/15	05 226	8/7	06 250	9/98	06 385	9/23
03 867	5/15	05 228	8/7	06 253	9/98	06 386	9/10
03 871	5/15	05 230	8/7	06 254	9/98	06 386	9/23
03 873	5/15	05 240	8/7	06 255	9/98	06 387	9/10
04 322	5/19	05 250	8/6	06 256	9/98	06 387	9/23
04 324	5/19	05 252	8/6	06 260	9/98	06 392	9/10
04 326	5/19	05 254	8/6	06 261	9/98	06 393	9/10
05 019	8/5	05 256	8/6	06 262	9/98	06 394	9/10
05 033	8/5	05 258	8/6	06 263	9/98	06 395	9/10
05 035	8/5	05 260	8/6	06 264	9/98	06 396	9/10
05 037	8/5	05 262	8/6	06 265	9/98	06 397	9/10
05 043	8/5	05 265	8/7	06 266	9/98	06 401	9/25
05 045	8/5	05 266	8/7	06 267	9/98	06 402	9/10
05 047	8/5	05 270	8/6	06 268	9/98	06 402	9/25
05 049	8/5	05 272	8/6	06 269	9/98	06 403	9/10
05 051	8/5	05 274	8/6	06 270	9/98	06 403	9/25
05 053	8/5	05 276	8/6	06 271	9/98	06 404	9/10
05 063	8/5	05 278	8/6	06 272	9/98	06 404	9/25
05 065	8/5	05 280	8/6	06 273	9/98	06 405	9/10
05 067	8/5	05 282	8/6	06 274	9/98	06 405	9/25
05 069	8/5	05 300	8/6	06 280	9/98	06 406	9/10
05 071	8/5	05 302	8/6	06 312	9/9	06 406	9/25
05 073	8/5	05 304	8/6	06 313	9/9	06 407	9/10
05 083	8/5	05 306	8/6	06 314	9/9	06 407	9/25
05 085	8/5	05 308	8/6	06 315	9/9	06 412	9/11
05 087	8/5	05 310	8/6	06 316	9/9	06 413	9/11
05 089	8/5	05 312	8/6	06 317	9/9	06 414	9/11
05 091	8/5	05 314	8/6	06 332	9/9	06 415	9/11
05 093	8/5	05 330	8/11	06 333	9/9	06 416	9/11
05 094	8/5	05 331	8/11	06 334	9/9	06 417	9/11
05 095	8/5	05 400	8/9	06 335	9/9	06 421	9/28
05 096	8/5	05 402	8/9	06 336	9/9	06 422	9/11
05 097	8/5	05 405	8/9	06 337	9/9	06 422	9/28
05 098	8/5	05 410	8/9	06 352	9/9	06 423	9/11
05 099	8/5	05 415	8/9	06 353	9/9	06 423	9/28
05 119	8/5	05 420	8/9	06 354	9/9	06 424	9/11
05 133	8/5	05 425	8/9	06 355	9/9	06 424	9/28
05 135	8/5	05 920	4/3	06 356	9/9	06 425	9/11
05 137	8/5	05 930	4/3	06 357	9/9	06 425	9/28
05 143	8/5	05 932	4/3	06 361	9/24	06 426	9/11
05 145	8/5	05 940	4/3	06 362	9/9	06 426	9/28

# Code list

Article	Chapter/Page	Article	Chapter/Page	Article	Chapter/Page	Article	Chapter/Page
06 427	9/11	06 532	9/13	06 710	9/84	06 782	9/93
06 427	9/28	06 532	9/32	06 711	9/84	06 783	9/93
06 462	9/11	06 533	9/13	06 712	9/84	06 784	9/93
06 463	9/11	06 533	9/32	06 713	9/84	06 785	9/93
06 464	9/11	06 534	9/13	06 714	9/84	06 786	9/93
06 465	9/11	06 534	9/32	06 715	9/84	06 800	9/73
06 466	9/11	06 535	9/13	06 716	9/84	06 801	9/73
06 467	9/11	06 535	9/32	06 717	9/84	06 802	9/73
06 471	9/29	06 536	9/13	06 718	9/92	06 803	9/73
06 472	9/11	06 536	9/32	06 719	9/92	06 804	9/73
06 472	9/29	06 537	9/13	06 720	9/92	06 805	9/73
06 473	9/11	06 537	9/32	06 721	9/92	06 808	9/81
06 473	9/29	06 542	9/13	06 722	9/92	06 809	9/81
06 474	9/11	06 543	9/13	06 723	9/92	06 810	9/81
06 474	9/29	06 544	9/13	06 724	9/92	06 811	9/81
06 475	9/11	06 545	9/13	06 725	9/92	06 812	9/81
06 475	9/29	06 546	9/13	06 726	9/92	06 813	9/81
06 476	9/11	06 547	9/13	06 730	9/76	06 816	9/89
06 476	9/29	06 562	9/13	06 731	9/76	06 817	9/89
06 477	9/11	06 563	9/13	06 732	9/76	06 818	9/89
06 477	9/29	06 564	9/13	06 733	9/76	06 819	9/89
06 482	9/12	06 565	9/13	06 734	9/76	06 820	9/89
06 483	9/12	06 566	9/13	06 735	9/76	06 821	9/89
06 484	9/12	06 567	9/13	06 736	9/76	06 824	9/73
06 485	9/12	06 572	9/14	06 737	9/76	06 825	9/73
06 486	9/12	06 573	9/14	06 738	9/76	06 826	9/73
06 487	9/12	06 574	9/14	06 739	9/84	06 827	9/73
06 491	9/30	06 575	9/14	06 740	9/84	06 828	9/73
06 492	9/12	06 576	9/14	06 741	9/84	06 829	9/73
06 492	9/30	06 577	9/14	06 742	9/84	06 830	9/81
06 493	9/12	06 582	9/14	06 743	9/84	06 831	9/81
06 493	9/30	06 583	9/14	06 744	9/84	06 832	9/81
06 494	9/12	06 584	9/14	06 745	9/84	06 833	9/81
06 494	9/30	06 585	9/14	06 746	9/84	06 834	9/81
06 495	9/12	06 586	9/14	06 747	9/84	06 835	9/81
06 495	9/30	06 587	9/14	06 748	9/92	06 838	9/89
06 496	9/12	06 602	9/15	06 749	9/92	06 839	9/89
06 496	9/30	06 603	9/15	06 750	9/92	06 840	9/89
06 497	9/12	06 604	9/15	06 751	9/92	06 841	9/89
06 497	9/30	06 605	9/15	06 752	9/92	06 842	9/89
06 502	9/12	06 612	9/15	06 753	9/92	06 843	9/89
06 503	9/12	06 613	9/15	06 754	9/92	06 850	9/73
06 504	9/12	06 614	9/15	06 755	9/92	06 851	9/73
06 505	9/12	06 615	9/15	06 756	9/92	06 852	9/73
06 506	9/12	06 632	9/15	06 760	9/77	06 853	9/73
06 507	9/12	06 633	9/15	06 761	9/77	06 854	9/73
06 511	9/31	06 634	9/15	06 762	9/77	06 855	9/73
06 512	9/12	06 635	9/15	06 763	9/77	06 858	9/81
06 512	9/31	06 636	9/15	06 764	9/77	06 859	9/81
06 513	9/12	06 637	9/15	06 765	9/77	06 860	9/81
06 513	9/31	06 642	9/16	06 766	9/77	06 861	9/81
06 514	9/12	06 643	9/16	06 767	9/77	06 862	9/81
06 514	9/31	06 644	9/16	06 768	9/77	06 863	9/81
06 515	9/12	06 646	9/16	06 769	9/85	06 866	9/89
06 515	9/31	06 652	9/5	06 770	9/85	06 867	9/89
06 516	9/12	06 652	9/16	06 771	9/85	06 868	9/89
06 516	9/31	06 700	9/76	06 772	9/85	06 869	9/89
06 517	9/12	06 701	9/76	06 773	9/85	06 870	9/89
06 517	9/31	06 702	9/76	06 774	9/85	06 871	9/89
06 522	9/13	06 703	9/76	06 775	9/85	06 874	9/74
06 523	9/13	06 704	9/76	06 776	9/85	06 875	9/74
06 524	9/13	06 705	9/76	06 777	9/85	06 876	9/74
06 525	9/13	06 706	9/76	06 778	9/93	06 877	9/74
06 526	9/13	06 707	9/76	06 779	9/93	06 878	9/74
06 527	9/13	06 708	9/76	06 780	9/93	06 879	9/74
06 531	9/32	06 709	9/84	06 781	9/93	06 882	9/82

# Code list

Article	Chapter/Page	Article	Chapter/Page	Article	Chapter/Page	Article	Chapter/Page
06 883	9/82	07 022	9/74	07 152	9/19	07 282	9/21
06 884	9/82	07 023	9/74	07 153	9/19	07 283	9/21
06 885	9/82	07 024	9/74	07 154	9/19	07 284	9/21
06 886	9/82	07 025	9/74	07 155	9/19	07 285	9/21
06 887	9/82	07 026	9/74	07 161	9/19	07 291	9/24
06 890	9/90	07 030	9/82	07 162	9/19	07 292	9/24
06 891	9/90	07 031	9/82	07 163	9/19	07 293	9/24
06 892	9/90	07 032	9/82	07 164	9/19	07 294	9/24
06 893	9/90	07 033	9/82	07 165	9/19	07 295	9/24
06 894	9/90	07 034	9/82	07 171	9/20	07 296	9/24
06 895	9/90	07 035	9/82	07 172	9/20	07 297	9/24
06 896	9/74	07 038	9/90	07 173	9/20	07 301	9/24
06 897	9/74	07 039	9/90	07 174	9/20	07 302	9/24
06 898	9/74	07 040	9/90	07 175	9/20	07 303	9/24
06 900	9/75	07 041	9/90	07 176	9/20	07 304	9/24
06 901	9/75	07 042	9/90	07 177	9/20	07 305	9/24
06 902	9/75	07 043	9/90	07 181	9/20	07 311	9/23
06 903	9/75	07 046	9/74	07 182	9/20	07 312	9/23
06 904	9/75	07 046	9/75	07 183	9/20	07 313	9/23
06 905	9/75	07 047	9/74	07 184	9/20	07 314	9/23
06 908	9/83	07 047	9/75	07 185	9/20	07 315	9/23
06 909	9/83	07 048	9/74	07 186	9/20	07 316	9/23
06 910	9/83	07 048	9/75	07 187	9/20	07 317	9/23
06 911	9/83	07 049	9/74	07 221	9/21	07 321	9/23
06 912	9/83	07 049	9/75	07 222	9/21	07 322	9/23
06 913	9/83	07 050	9/74	07 223	9/21	07 323	9/23
06 916	9/91	07 050	9/75	07 224	9/21	07 324	9/23
06 917	9/91	07 051	9/74	07 225	9/21	07 325	9/23
06 918	9/91	07 051	9/75	07 231	9/21	07 351	9/25
06 919	9/91	07 055	9/83	07 232	9/21	07 352	9/25
06 920	9/91	07 056	9/83	07 233	9/21	07 353	9/25
06 921	9/91	07 057	9/83	07 234	9/21	07 354	9/25
06 924	9/75	07 058	9/83	07 235	9/21	07 355	9/25
06 925	9/75	07 059	9/83	07 236	9/21	07 356	9/25
06 926	9/75	07 060	9/83	07 237	9/21	07 357	9/25
06 927	9/75	07 063	9/91	07 241	9/5	07 361	9/25
06 928	9/75	07 064	9/91	07 241	9/21	07 362	9/25
06 929	9/75	07 065	9/91	07 242	9/5	07 363	9/25
06 932	9/83	07 066	9/91	07 242	9/9	07 364	9/25
06 933	9/83	07 067	9/91	07 242	9/21	07 365	9/25
06 934	9/83	07 068	9/91	07 243	9/5	07 371	9/28
06 935	9/83	07 111	9/19	07 243	9/9	07 372	9/28
06 936	9/83	07 112	9/19	07 243	9/21	07 373	9/28
06 937	9/83	07 113	9/19	07 244	9/5	07 374	9/28
06 940	9/91	07 114	9/19	07 244	9/9	07 375	9/28
06 941	9/91	07 115	9/19	07 244	9/21	07 376	9/28
06 942	9/91	07 121	9/19	07 245	9/5	07 377	9/28
06 943	9/91	07 122	9/19	07 245	9/9	07 381	9/28
06 944	9/91	07 123	9/19	07 245	9/21	07 382	9/28
06 945	9/91	07 124	9/19	07 246	9/5	07 383	9/28
06 999	9/74	07 125	9/19	07 246	9/9	07 384	9/28
07 000	9/74	07 126	9/19	07 246	9/21	07 385	9/28
07 001	9/74	07 127	9/19	07 247	9/5	07 391	9/29
07 005	9/82	07 131	9/19	07 247	9/9	07 392	9/29
07 006	9/82	07 132	9/19	07 247	9/21	07 393	9/29
07 007	9/82	07 133	9/19	07 261	9/21	07 394	9/29
07 008	9/82	07 134	9/19	07 262	9/21	07 395	9/29
07 009	9/82	07 135	9/19	07 263	9/21	07 396	9/29
07 010	9/82	07 136	9/19	07 264	9/21	07 397	9/29
07 013	9/90	07 137	9/19	07 265	9/21	07 401	9/29
07 014	9/90	07 141	9/19	07 271	9/21	07 402	9/29
07 015	9/90	07 142	9/19	07 272	9/21	07 403	9/29
07 016	9/90	07 143	9/19	07 273	9/21	07 404	9/29
07 017	9/90	07 144	9/19	07 274	9/21	07 405	9/29
07 018	9/90	07 145	9/19	07 275	9/21	07 411	9/30
07 021	9/74	07 151	9/19	07 281	9/21	07 412	9/30

# Code list

Article	Chapter/Page	Article	Chapter/Page	Article	Chapter/Page	Article	Chapter/Page
07 413	9/30	07 532	9/37	07 624	9/34	07 716	9/26
07 414	9/30	07 533	9/37	07 625	9/34	07 717	9/26
07 415	9/30	07 534	9/37	07 630	9/35	07 718	9/26
07 416	9/30	07 536	9/37	07 631	9/35	07 719	9/26
07 417	9/30	07 537	9/37	07 632	9/35	07 720	9/26
07 421	9/30	07 538	9/37	07 633	9/35	07 721	9/26
07 422	9/30	07 539	9/37	07 634	9/35	07 722	9/26
07 423	9/30	07 540	9/37	07 635	9/35	07 723	9/26
07 424	9/30	07 541	9/37	07 636	9/35	07 724	9/26
07 425	9/30	07 542	9/37	07 637	9/35	07 725	9/26
07 430	9/44	07 543	9/37	07 638	9/35	07 726	9/26
07 431	9/44	07 544	9/37	07 639	9/35	07 727	9/26
07 432	9/44	07 546	9/37	07 640	9/35	07 728	9/26
07 433	9/44	07 547	9/37	07 641	9/35	07 729	9/26
07 434	9/44	07 548	9/37	07 642	9/35	07 731	9/39
07 435	9/44	07 549	9/37	07 643	9/35	07 732	9/39
07 436	9/44	07 552	9/38	07 644	9/35	07 733	9/39
07 437	10/8	07 553	9/38	07 645	9/35	07 734	9/39
07 438	10/9	07 554	9/38	07 646	9/35	07 735	9/39
07 439	10/9	07 556	9/38	07 647	9/35	07 736	9/39
07 440	9/44	07 557	9/38	07 648	9/35	07 737	9/39
07 441	9/44	07 558	9/38	07 649	9/35	07 741	9/39
07 442	9/44	07 559	9/38	07 651	9/34	07 742	9/39
07 443	9/44	07 560	9/38	07 652	9/34	07 743	9/39
07 444	9/44	07 561	9/38	07 653	9/34	07 744	9/39
07 448	10/9	07 562	9/38	07 654	9/34	07 745	9/39
07 451	9/31	07 563	9/38	07 655	9/34	07 750	9/42
07 452	9/31	07 564	9/38	07 656	9/34	07 752	9/42
07 453	9/31	07 566	9/38	07 657	9/34	07 753	9/42
07 454	9/31	07 567	9/38	07 661	9/34	07 754	9/42
07 455	9/31	07 568	9/38	07 662	9/34	07 755	9/46
07 456	9/31	07 569	9/38	07 663	9/34	07 756	9/46
07 457	9/31	07 571	9/33	07 664	9/34	07 757	9/46
07 461	9/31	07 572	9/33	07 665	9/34	07 758	9/46
07 462	9/31	07 573	9/33	07 671	10/4	07 760	9/42
07 463	9/31	07 574	9/33	07 672	10/4	07 762	9/42
07 464	9/31	07 575	9/33	07 673	10/4	07 763	9/42
07 465	9/31	07 576	9/33	07 674	10/4	07 764	9/42
07 471	9/32	07 577	9/33	07 675	10/4	07 765	9/47
07 472	9/32	07 581	9/33	07 676	10/4	07 766	9/47
07 473	9/32	07 582	9/33	07 677	10/4	07 767	9/47
07 474	9/32	07 583	9/33	07 681	10/4	07 768	9/47
07 475	9/32	07 584	9/33	07 682	10/4	07 770	9/42
07 476	9/32	07 585	9/33	07 683	10/4	07 772	9/42
07 477	9/32	07 591	9/33	07 684	10/4	07 773	9/42
07 481	9/32	07 592	9/33	07 685	10/4	07 774	9/42
07 482	9/32	07 593	9/33	07 686	10/4	07 775	9/47
07 483	9/32	07 594	9/33	07 687	10/4	07 776	9/47
07 484	9/32	07 595	9/33	07 691	9/35	07 777	9/47
07 485	9/32	07 596	9/33	07 692	9/35	07 778	9/47
07 512	9/36	07 597	9/33	07 693	9/35	07 779	9/47
07 513	9/36	07 601	9/33	07 694	9/35	07 780	9/42
07 514	9/36	07 602	9/33	07 695	9/35	07 782	9/42
07 516	9/36	07 603	9/33	07 696	9/35	07 783	9/42
07 517	9/36	07 604	9/33	07 697	9/35	07 784	9/42
07 518	9/36	07 605	9/33	07 701	9/35	07 785	10/4
07 519	9/36	07 611	9/34	07 702	9/35	07 786	10/4
07 520	9/36	07 612	9/34	07 703	9/35	07 787	10/4
07 521	9/36	07 613	9/34	07 704	9/35	07 788	10/4
07 522	9/36	07 614	9/34	07 705	9/35	07 789	10/4
07 523	9/36	07 615	9/34	07 710	9/26	07 790	10/4
07 524	9/36	07 616	9/34	07 711	9/26	07 791	9/39
07 526	9/36	07 617	9/34	07 712	9/26	07 792	9/39
07 527	9/36	07 621	9/34	07 713	9/26	07 793	9/39
07 528	9/36	07 622	9/34	07 714	9/26	07 794	9/39
07 529	9/36	07 623	9/34	07 715	9/26	07 795	9/39

# Code list

Article	Chapter/Page	Article	Chapter/Page	Article	Chapter/Page	Article	Chapter/Page
07 796	9/39	07 850	9/17	07 935	10/6	08 113	7/3
07 797	9/39	07 850	9/47	07 941	10/5	08 115	7/3
07 801	9/39	07 851*	10/9	07 942	10/5	08 116	7/3
07 802	9/39	07 852	9/45	07 943	10/5	08 117	7/3
07 803	9/39	07 853	10/9	07 944	10/5	08 121	7/3
07 804	9/39	07 854	9/22	07 945	10/5	08 122	7/3
07 805	9/39	07 855	9/5	07 947	10/7	08 123	7/3
07 806	10/9	07 855	9/45	07 948	10/7	08 125	7/3
07 807	10/9	07 856	9/47	07 949	10/8	08 126	7/3
07 808	10/9	07 857	9/46	07 950**	10/7	08 131	7/3
07 809	10/9	07 858	9/46	07 951	10/5	08 132	7/3
07 810	10/9	07 859	9/46	07 952	10/5	08 133	7/3
07 811	9/40	07 860	9/46	07 953	10/5	08 135	7/3
07 812	9/40	07 861	9/43	07 954	10/5	08 136	7/3
07 813	9/40	07 862	9/43	07 955	10/5	08 137	7/3
07 814	9/40	07 863	9/43	07 956	10/7	08 141	7/3
07 815	9/40	07 864	9/43	07 957	10/7	08 142	7/3
07 816	9/40	07 865	9/43	07 958	10/7	08 143	7/3
07 817	9/40	07 866	9/43	07 959	10/7	08 145	7/3
07 818	9/55	07 867	9/43	07 960	10/7	08 146	7/3
07 818	9/63	07 868	9/43	07 961	10/5	08 147	7/3
07 818	9/71	07 869	9/43	07 962	10/5	08 151	7/4
07 818	9/79	07 870	9/43	07 963	10/5	08 152	7/4
07 818	9/87	07 881	9/44	07 964	10/5	08 153	7/4
07 818	9/95	07 882	9/44	07 965	10/5	08 155	7/4
07 818	10/9	07 883	9/44	07 966	10/8	08 156	7/4
07 819	9/55	07 884	9/44	07 967	10/8	08 157	7/4
07 819	9/63	07 885	9/44	07 968	10/8	08 161	7/4
07 819	9/71	07 886	9/44	07 969	10/8	08 162	7/4
07 819	10/9	07 887	9/44	07 970	10/8	08 163	7/4
07 821	9/40	07 888	9/45	07 971	10/5	08 164	7/4
07 822	9/40	07 889	9/44	07 972	10/5	08 165	7/4
07 823	9/40	07 890	9/43	07 973	10/5	08 166	7/4
07 824	9/40	07 896	9/44	07 974	10/5	08 167	7/4
07 825	9/40	07 897	9/44	07 975	10/5	08 171	7/4
07 826	10/9	07 898	9/44	07 976	10/8	08 172	7/4
07 827	10/9	07 899	9/44	07 977	10/8	08 175	7/5
07 828	10/9	07 901	10/3	07 978	10/6	08 176	7/5
07 829	9/41	07 902	10/3	07 979	10/6	08 179	7/5
07 830	10/9	07 903	10/3	07 980	10/9	08 180	7/5
07 831	9/40	07 904	10/3	07 981	10/9	08 181	7/5
07 832	9/40	07 905	10/3	07 982	10/6	08 182	7/5
07 833	9/40	07 906	10/3	07 983	10/6	08 183	7/5
07 834	9/40	07 907	10/3	07 984	10/8	08 185	7/5
07 835	9/40	07 908	10/3	07 985	10/8	08 187	7/5
07 836	9/40	07 909	10/3	07 986	10/8	08 190	7/4
07 837	9/40	07 911	10/3	07 987	10/8	08 192	7/4
07 838	9/41	07 912	10/3	07 988	10/8	08 401	9/20
07 839	9/41	07 913	10/3	07 989	10/8	08 402	9/20
07 840	9/41	07 914	10/3	07 990	10/8	08 403	9/20
07 841	9/41	07 915	10/3	07 991	10/8	08 404	9/20
07 842	9/41	07 916	10/3	07 992*	10/7	08 405	9/20
07 843	9/41	07 917	10/3	07 993*	10/7	08 411	9/20
07 844	9/41	07 918	10/3	07 995*	10/7	08 412	9/20
07 845	9/46	07 919	10/3	07 996	10/8	08 413	9/20
07 846	9/41	07 921	10/6	07 997	10/8	08 414	9/20
07 847	9/41	07 922	10/6	07 998	9/43	08 415	9/20
07 848	9/17	07 923	10/6	07 999	9/43	08 421	9/20
07 848	9/47	07 924	10/6	08 101	7/3	08 422	9/20
07 848	9/55	07 925	10/6	08 102	7/3	08 423	9/20
07 848	9/63	07 926	10/7	08 103	7/3	08 424	9/20
07 848	9/71	07 927	10/7	08 105	7/3	08 425	9/20
07 848	9/79	07 931	10/6	08 106	7/3	08 431	9/22
07 848	9/87	07 932	10/6	08 107	7/3	08 432	9/22
07 848	9/95	07 933	10/6	08 111	7/3	08 433	9/22
07 849	10/9	07 934	10/6	08 112	7/3	08 434	9/22

# Code list

Article	Chapter/Page	Article	Chapter/Page	Article	Chapter/Page	Article	Chapter/Page
08 435	9/22	08 602	9/38	08 743	9/39	08 887	10/4
08 441	9/22	08 603	9/38	08 744	9/39	09 400	9/49
08 442	9/22	08 604	9/38	08 745	9/39	09 401	9/49
08 443	9/22	08 605	9/38	08 746	9/44	09 402	9/49
08 444	9/22	08 606	9/38	08 747	9/44	09 403	9/49
08 445	9/22	08 607	9/38	08 748	9/44	09 404	9/49
08 451	9/22	08 611	9/33	08 749	9/44	09 405	9/49
08 452	9/22	08 612	9/33	08 750	9/44	09 410	9/57
08 453	9/22	08 613	9/33	08 751	9/40	09 411	9/57
08 454	9/22	08 614	9/33	08 752	9/40	09 412	9/57
08 455	9/22	08 615	9/33	08 753	9/40	09 413	9/57
08 501	9/23	08 621	9/34	08 754	9/40	09 414	9/57
08 502	9/23	08 622	9/34	08 755	9/40	09 415	9/57
08 503	9/23	08 623	9/34	08 761	9/43	09 420	9/65
08 504	9/23	08 624	9/34	08 762	9/43	09 421	9/65
08 505	9/23	08 625	9/34	08 763	9/43	09 422	9/65
08 511	9/24	08 631	9/34	08 764	9/43	09 423	9/65
08 512	9/24	08 632	9/34	08 765	9/43	09 424	9/65
08 513	9/24	08 633	9/34	08 781	9/44	09 425	9/65
08 514	9/24	08 634	9/34	08 782	9/44	09 430	9/49
08 515	9/24	08 635	9/34	08 783	9/44	09 430	9/57
08 521	9/25	08 641	9/35	08 784	9/44	09 430	9/65
08 522	9/25	08 642	9/35	08 785	9/44	09 430	9/73
08 523	9/25	08 643	9/35	08 791	9/46	09 430	9/81
08 524	9/25	08 644	9/35	08 792	9/46	09 430	9/89
08 525	9/25	08 645	9/35	08 793	9/46	09 431	9/49
08 531	9/28	08 650	9/35	08 794	9/46	09 431	9/57
08 532	9/28	08 651	9/35	08 799	9/47	09 431	9/65
08 533	9/28	08 652	9/35	08 801	10/3	09 431	9/73
08 534	9/28	08 653	9/35	08 802	10/3	09 431	9/81
08 535	9/28	08 654	9/35	08 803	10/3	09 431	9/89
08 541	9/29	08 655	9/35	08 804	10/3	09 432	9/49
08 542	9/29	08 656	9/35	08 805	10/3	09 432	9/57
08 543	9/29	08 657	9/35	08 806	10/3	09 432	9/65
08 544	9/29	08 658	9/35	08 807	10/3	09 432	9/73
08 545	9/29	08 659	9/35	08 811	10/3	09 432	9/81
08 551	9/30	08 660	9/26	08 812	10/3	09 432	9/89
08 552	9/30	08 661	9/26	08 821	10/6	09 433	9/49
08 553	9/30	08 662	9/26	08 822	10/6	09 433	9/57
08 554	9/30	08 663	9/26	08 823	10/6	09 433	9/65
08 555	9/30	08 664	9/26	08 824	10/6	09 433	9/73
08 561	9/31	08 665	9/26	08 825	10/6	09 433	9/81
08 562	9/31	08 666	9/26	08 831	10/5	09 433	9/89
08 563	9/31	08 667	9/26	08 832	10/5	09 434	9/49
08 564	9/31	08 668	9/26	08 833	10/5	09 434	9/57
08 565	9/31	08 669	9/26	08 834	10/5	09 434	9/65
08 571	9/32	08 701	9/33	08 835	10/5	09 434	9/73
08 572	9/32	08 702	9/33	08 841	10/5	09 434	9/81
08 573	9/32	08 703	9/33	08 842	10/5	09 434	9/89
08 574	9/32	08 704	9/33	08 843	10/5	09 435	9/49
08 575	9/32	08 705	9/33	08 844	10/5	09 435	9/57
08 581	9/36	08 711	9/39	08 845	10/5	09 435	9/65
08 582	9/36	08 712	9/39	08 851	10/8	09 435	9/73
08 583	9/36	08 713	9/39	08 852	10/8	09 435	9/81
08 584	9/36	08 714	9/39	08 853	10/8	09 435	9/89
08 585	9/36	08 715	9/39	08 854	10/6	09 440	9/49
08 586	9/36	08 721	9/42	08 861	10/7	09 441	9/49
08 587	9/36	08 722	9/42	08 862	10/6	09 442	9/49
08 591	9/37	08 723	9/42	08 863	10/7	09 443	9/49
08 592	9/37	08 724	9/42	08 864	10/7	09 444	9/49
08 593	9/37	08 731	9/42	08 881	10/4	09 445	9/49
08 594	9/37	08 732	9/42	08 882	10/4	09 450	9/57
08 595	9/37	08 733	9/42	08 883	10/4	09 451	9/57
08 596	9/37	08 734	9/42	08 884	10/4	09 452	9/57
08 597	9/37	08 741	9/39	08 885	10/4	09 453	9/57
08 601	9/38	08 742	9/39	08 886	10/4	09 454	9/57

# Code list

Article	Chapter/Page	Article	Chapter/Page	Article	Chapter/Page	Article	Chapter/Page
09 455	9/57	09 510	9/90	09 552	9/90	09 594	9/90
09 460	9/65	09 511	9/50	09 553	9/50	09 595	9/50
09 461	9/65	09 511	9/58	09 553	9/58	09 595	9/58
09 462	9/65	09 511	9/66	09 553	9/66	09 595	9/66
09 463	9/65	09 511	9/74	09 553	9/74	09 595	9/74
09 464	9/65	09 511	9/82	09 553	9/82	09 595	9/82
09 465	9/65	09 511	9/90	09 553	9/90	09 595	9/90
09 470	9/49	09 512	9/50	09 554	9/50	09 600	9/51
09 470	9/57	09 512	9/58	09 554	9/58	09 601	9/51
09 470	9/65	09 512	9/66	09 554	9/66	09 602	9/51
09 470	9/73	09 512	9/74	09 554	9/74	09 603	9/51
09 470	9/81	09 512	9/82	09 554	9/82	09 604	9/51
09 470	9/89	09 512	9/90	09 554	9/90	09 605	9/51
09 471	9/49	09 513	9/50	09 555	9/50	09 610	9/59
09 471	9/57	09 513	9/58	09 555	9/58	09 611	9/59
09 471	9/65	09 513	9/66	09 555	9/66	09 612	9/59
09 471	9/73	09 513	9/74	09 555	9/74	09 613	9/59
09 471	9/81	09 513	9/82	09 555	9/82	09 614	9/59
09 471	9/89	09 513	9/90	09 555	9/90	09 615	9/59
09 472	9/49	09 514	9/50	09 560	9/50	09 620	9/67
09 472	9/57	09 514	9/58	09 561	9/50	09 621	9/67
09 472	9/65	09 514	9/66	09 562	9/50	09 622	9/67
09 472	9/73	09 514	9/74	09 563	9/50	09 623	9/67
09 472	9/81	09 514	9/82	09 564	9/50	09 624	9/67
09 472	9/89	09 514	9/90	09 565	9/50	09 625	9/67
09 473	9/49	09 515	9/50	09 570	9/58	09 640	9/52
09 473	9/57	09 515	9/58	09 571	9/58	09 641	9/52
09 473	9/65	09 515	9/66	09 572	9/58	09 642	9/52
09 473	9/73	09 515	9/74	09 573	9/58	09 643	9/52
09 473	9/81	09 515	9/82	09 574	9/58	09 644	9/52
09 473	9/89	09 515	9/90	09 575	9/58	09 645	9/52
09 474	9/49	09 520	9/50	09 580	9/66	09 646	9/52
09 474	9/57	09 521	9/50	09 581	9/66	09 647	9/52
09 474	9/65	09 522	9/50	09 582	9/66	09 648	9/52
09 474	9/73	09 523	9/50	09 583	9/66	09 650	9/60
09 474	9/81	09 524	9/50	09 584	9/66	09 651	9/60
09 474	9/89	09 525	9/50	09 585	9/66	09 652	9/60
09 475	9/49	09 530	9/58	09 590	9/50	09 653	9/60
09 475	9/57	09 531	9/58	09 590	9/58	09 654	9/60
09 475	9/65	09 532	9/58	09 590	9/66	09 655	9/60
09 475	9/73	09 533	9/58	09 590	9/74	09 656	9/60
09 475	9/81	09 534	9/58	09 590	9/82	09 657	9/60
09 475	9/89	09 535	9/58	09 590	9/90	09 658	9/60
09 480	9/50	09 540	9/66	09 591	9/50	09 660	9/68
09 481	9/50	09 541	9/66	09 591	9/58	09 661	9/68
09 482	9/50	09 542	9/66	09 591	9/66	09 662	9/68
09 483	9/50	09 543	9/66	09 591	9/74	09 663	9/68
09 484	9/50	09 544	9/66	09 591	9/82	09 664	9/68
09 485	9/50	09 545	9/66	09 591	9/90	09 665	9/68
09 490	9/58	09 550	9/50	09 592	9/50	09 666	9/68
09 491	9/58	09 550	9/58	09 592	9/58	09 667	9/68
09 492	9/58	09 550	9/66	09 592	9/66	09 668	9/68
09 493	9/58	09 550	9/74	09 592	9/74	09 670	9/52
09 494	9/58	09 550	9/82	09 592	9/82	09 670	9/60
09 495	9/58	09 550	9/90	09 592	9/90	09 670	9/68
09 500	9/66	09 551	9/50	09 593	9/50	09 670	9/76
09 501	9/66	09 551	9/58	09 593	9/58	09 670	9/84
09 502	9/66	09 551	9/66	09 593	9/66	09 670	9/92
09 503	9/66	09 551	9/74	09 593	9/74	09 671	9/52
09 504	9/66	09 551	9/82	09 593	9/82	09 671	9/60
09 505	9/66	09 551	9/90	09 593	9/90	09 671	9/68
09 510	9/50	09 552	9/50	09 594	9/50	09 671	9/76
09 510	9/58	09 552	9/58	09 594	9/58	09 671	9/84
09 510	9/66	09 552	9/66	09 594	9/66	09 671	9/92
09 510	9/74	09 552	9/74	09 594	9/74	09 672	9/52
09 510	9/82	09 552	9/82	09 594	9/82	09 672	9/60



# Code list

Article	Chapter/Page	Article	Chapter/Page	Article	Chapter/Page	Article	Chapter/Page
09 672	9/68	09 708	9/68	09 732	9/61	09 758	9/69
09 672	9/76	09 710	9/52	09 733	9/61	09 758	9/77
09 672	9/84	09 710	9/60	09 734	9/61	09 758	9/85
09 672	9/92	09 710	9/68	09 735	9/61	09 758	9/93
09 673	9/52	09 710	9/76	09 736	9/61	09 760	9/54
09 673	9/60	09 710	9/84	09 737	9/61	09 760	9/78
09 673	9/68	09 710	9/92	09 738	9/61	09 761	9/54
09 673	9/76	09 711	9/52	09 740	9/69	09 761	9/78
09 673	9/84	09 711	9/60	09 741	9/69	09 762	9/54
09 673	9/92	09 711	9/68	09 742	9/69	09 762	9/78
09 674	9/52	09 711	9/76	09 743	9/69	09 763	9/62
09 674	9/60	09 711	9/84	09 744	9/69	09 763	9/86
09 674	9/68	09 711	9/92	09 745	9/69	09 764	9/62
09 674	9/76	09 712	9/52	09 746	9/69	09 764	9/86
09 674	9/84	09 712	9/60	09 747	9/69	09 765	9/62
09 674	9/92	09 712	9/68	09 748	9/69	09 765	9/86
09 675	9/52	09 712	9/76	09 750	9/53	09 766	9/70
09 675	9/60	09 712	9/84	09 750	9/61	09 766	9/94
09 675	9/68	09 712	9/92	09 750	9/69	09 767	9/70
09 675	9/76	09 713	9/52	09 750	9/77	09 767	9/94
09 675	9/84	09 713	9/60	09 750	9/85	09 768	9/70
09 675	9/92	09 713	9/68	09 750	9/93	09 768	9/94
09 676	9/52	09 713	9/76	09 751	9/53	09 770	10/4
09 676	9/60	09 713	9/84	09 751	9/61	09 771	10/4
09 676	9/68	09 713	9/92	09 751	9/69	09 772	10/4
09 676	9/76	09 714	9/52	09 751	9/77	09 773	10/4
09 676	9/84	09 714	9/60	09 751	9/85	09 774*	10/4
09 676	9/92	09 714	9/68	09 751	9/93	09 775*	10/4
09 677	9/52	09 714	9/76	09 752	9/53	09 776*	10/4
09 677	9/60	09 714	9/84	09 752	9/61	09 777*	10/4
09 677	9/68	09 714	9/92	09 752	9/69	09 778*	10/4
09 677	9/76	09 715	9/52	09 752	9/77	09 779*	10/4
09 677	9/84	09 715	9/60	09 752	9/85	09 800	9/54
09 677	9/92	09 715	9/68	09 752	9/93	09 800	9/78
09 678	9/52	09 715	9/76	09 753	9/53	09 801	9/54
09 678	9/60	09 715	9/84	09 753	9/61	09 801	9/78
09 678	9/68	09 715	9/92	09 753	9/69	09 802	9/54
09 678	9/76	09 716	9/52	09 753	9/77	09 802	9/78
09 678	9/84	09 716	9/60	09 753	9/85	09 803	9/62
09 678	9/92	09 716	9/68	09 753	9/93	09 803	9/86
09 680	9/52	09 716	9/76	09 754	9/53	09 804	9/62
09 681	9/52	09 716	9/84	09 754	9/61	09 804	9/86
09 682	9/52	09 716	9/92	09 754	9/69	09 805	9/62
09 683	9/52	09 717	9/52	09 754	9/77	09 805	9/86
09 684	9/52	09 717	9/60	09 754	9/85	09 806	9/70
09 685	9/52	09 717	9/68	09 754	9/93	09 806	9/94
09 686	9/52	09 717	9/76	09 755	9/53	09 807	9/70
09 687	9/52	09 717	9/84	09 755	9/61	09 807	9/94
09 688	9/52	09 717	9/92	09 755	9/69	09 808	9/70
09 690	9/60	09 718	9/52	09 755	9/77	09 808	9/94
09 691	9/60	09 718	9/60	09 755	9/85	09 900	9/54
09 692	9/60	09 718	9/68	09 755	9/93	09 901	9/62
09 693	9/60	09 718	9/76	09 756	9/53	09 902	9/70
09 694	9/60	09 718	9/84	09 756	9/61	09 903	9/55
09 695	9/60	09 718	9/92	09 756	9/69	09 903	9/63
09 696	9/60	09 720	9/53	09 756	9/77	09 903	9/71
09 697	9/60	09 721	9/53	09 756	9/85	09 903	9/79
09 698	9/60	09 722	9/53	09 756	9/93	09 903	9/87
09 700	9/68	09 723	9/53	09 757	9/53	09 903	9/95
09 701	9/68	09 724	9/53	09 757	9/61	09 904	9/55
09 702	9/68	09 725	9/53	09 757	9/69	09 904	9/63
09 703	9/68	09 726	9/53	09 757	9/77	09 904	9/71
09 704	9/68	09 727	9/53	09 757	9/85	09 905	9/55
09 705	9/68	09 728	9/53	09 757	9/93	09 905	9/63
09 706	9/68	09 730	9/61	09 758	9/53	09 905	9/71
09 707	9/68	09 731	9/61	09 758	9/61	09 905	9/79

# Code list

Article	Chapter/Page	Article	Chapter/Page	Article	Chapter/Page	Article	Chapter/Page
09 905	9/87	09 951	9/83	17 317	9/23	17 558	9/38
09 905	9/95	09 952	9/59	17 351	9/25	17 559	9/38
09 906	9/55	09 952	9/83	17 352	9/25	17 560	9/38
09 906	9/63	09 953	9/59	17 353	9/25	17 561	9/38
09 906	9/71	09 953	9/83	17 354	9/25	17 710	9/27
09 906	9/79	09 955	9/67	17 355	9/25	17 711	9/27
09 906	9/87	09 955	9/91	17 356	9/25	17 712	9/27
09 906	9/95	09 956	9/67	17 357	9/25	17 713	9/27
09 910	9/78	09 956	9/91	17 371	9/28	17 714	9/27
09 911	9/86	09 957	9/67	17 372	9/28	17 715	9/27
09 912	9/94	09 957	9/91	17 373	9/28	17 716	9/27
09 920	9/51	09 958	9/67	17 374	9/28	17 717	9/27
09 920	9/75	09 958	9/91	17 375	9/28	17 718	9/27
09 921	9/51	09 959	9/67	17 376	9/28	17 719	9/27
09 921	9/75	09 959	9/91	17 377	9/28	1SL9019A00	8/3
09 922	9/51	09 960	9/67	17 391	9/29	1SL9033A00	8/3
09 922	9/75	09 960	9/91	17 392	9/29	1SL9035A00	8/3
09 923	9/51	09 962	9/51	17 393	9/29	1SL9037A00	8/3
09 923	9/75	09 963	9/51	17 394	9/29	1SL9043A00	8/3
09 924	9/51	09 964	9/51	17 395	9/29	1SL9045A00	8/3
09 924	9/75	09 965	9/51	17 396	9/29	1SL9047A00	8/3
09 925	9/51	09 966	9/51	17 397	9/29	1SL9049A00	8/3
09 925	9/75	09 967	9/51	17 411	9/30	1SL9051A00	8/3
09 927	9/59	09 968	9/59	17 412	9/30	1SL9053A00	8/3
09 927	9/83	09 969	9/59	17 413	9/30	1SL9063A00	8/3
09 928	9/59	09 970	9/59	17 414	9/30	1SL9065A00	8/3
09 928	9/83	09 971	9/59	17 415	9/30	1SL9067A00	8/3
09 929	9/59	09 972	9/59	17 416	9/30	1SL9069A00	8/3
09 929	9/83	09 973	9/59	17 417	9/30	1SL9071A00	8/3
09 930	9/59	09 974	9/67	17 451	9/31	1SL9073A00	8/3
09 930	9/83	09 975	9/67	17 452	9/31	1SL9083A00	8/3
09 931	9/59	09 976	9/67	17 453	9/31	1SL9085A00	8/3
09 931	9/83	09 977	9/67	17 454	9/31	1SL9087A00	8/3
09 932	9/59	09 978	9/67	17 455	9/31	1SL9089A00	8/3
09 932	9/83	09 979	9/67	17 456	9/31	1SL9091A00	8/3
09 934	9/67	09 980	9/51	17 457	9/31	1SL9093A00	8/3
09 934	9/91	09 981	9/51	17 471	9/32	1SL9119A00	8/3
09 935	9/67	09 982	9/51	17 472	9/32	1SL9133A00	8/3
09 935	9/91	09 983	9/51	17 473	9/32	1SL9135A00	8/3
09 936	9/67	09 984	9/51	17 474	9/32	1SL9137A00	8/3
09 936	9/91	09 985	9/51	17 475	9/32	1SL9143A00	8/3
09 937	9/67	09 986	9/59	17 476	9/32	1SL9145A00	8/3
09 937	9/91	09 987	9/59	17 477	9/32	1SL9147A00	8/3
09 938	9/67	09 988	9/59	17 512	9/36	1SL9149A00	8/3
09 938	9/91	09 989	9/59	17 513	9/36	1SL9151A00	8/3
09 939	9/67	09 990	9/59	17 514	9/36	1SL9153A00	8/3
09 939	9/91	09 991	9/59	17 516	9/36	1SL9163A00	8/3
09 941	9/51	09 992	9/67	17 517	9/36	1SL9165A00	8/3
09 941	9/75	09 993	9/67	17 518	9/36	1SL9167A00	8/3
09 942	9/51	09 994	9/67	17 519	9/36	1SL9169A00	8/3
09 942	9/75	09 995	9/67	17 520	9/36	1SL9171A00	8/3
09 943	9/51	09 996	9/67	17 521	9/36	1SL9173A00	8/3
09 943	9/75	09 997	9/67	17 532	9/37	1SL9183A00	8/3
09 944	9/51	17 291	9/24	17 533	9/37	1SL9185A00	8/3
09 944	9/75	17 292	9/24	17 534	9/37	1SL9187A00	8/3
09 945	9/51	17 293	9/24	17 536	9/37	1SL9189A00	8/3
09 945	9/75	17 294	9/24	17 537	9/37	1SL9191A00	8/3
09 946	9/51	17 295	9/24	17 538	9/37	1SL9193A00	8/3
09 946	9/75	17 296	9/24	17 539	9/37	1SL9200A00	3/3
09 948	9/59	17 297	9/24	17 540	9/37	1SL9201A00	3/3
09 948	9/83	17 311	9/23	17 541	9/37	1SL9202A00	3/3
09 949	9/59	17 312	9/23	17 552	9/38	1SL9210A00	3/3
09 949	9/83	17 313	9/23	17 553	9/38	1SL9211A00	3/3
09 950	9/59	17 314	9/23	17 554	9/38	1SL9212A00	3/3
09 950	9/83	17 315	9/23	17 556	9/38	1SL9215A00	3/3
09 951	9/59	17 316	9/23	17 557	9/38	1SL9216A00	3/3

# Code list

Article	Chapter/Page	Article	Chapter/Page	Article	Chapter/Page	Article	Chapter/Page
1SL9217A00	3/3	1SL9864A00	9/4	27 559	9/38	41 415	4/6
1SL9220A00	3/3	1SL9865A00	9/4	27 560	9/38	41 416	4/6
1SL9221A00	3/3	1SL9866A00	9/4	27 561	9/38	41 417	4/6
1SL9222A00	3/3	1SL9868A00	9/4	27 710	9/27	41 419	4/6
1SL9225A00	3/3	1SL9869A00	9/4	27 711	9/27	41 420	4/6
1SL9226A00	3/3	1SL9870A00	9/4	27 712	9/27	41 502	4/6
1SL9227A00	3/3	1SL9871A00	9/4	27 713	9/27	41 504	4/6
1SL9230A00	3/3	1SL9872A00	9/4	27 714	9/27	41 506	4/6
1SL9231A00	3/3	1SL9873A00	9/4	27 715	9/27	41 510	4/6
1SL9232A00	3/3	1SL9874A00	9/4	27 716	9/27	41 513	4/6
1SL9235A00	3/4	1SL9876A00	9/5	27 717	9/27	41 515	4/6
1SL9236A00	3/4	1SL9877A00	9/5	27 718	9/27	41 516	4/6
1SL9237A00	3/4	1SL9878A00	9/5	27 719	9/27	41 517	4/6
1SL9240A00	3/4	1SL9879A00	9/6	41 010	4/3	41 519	4/6
1SL9241A00	3/4	1SL9880A00	9/6	41 015	4/3	41 520	4/6
1SL9242A00	3/4	1SL9881A00	9/6	41 020	4/3	41 602	4/7
1SL9245A00	3/4	1SL9882A00	9/6	41 040	4/3	41 604	4/7
1SL9246A00	3/4	1SL9883A00	9/6	41 045	4/3	41 606	4/7
1SL9247A00	3/4	1SL9884A00	9/6	41 050	4/3	41 610	4/7
1SL9810A00	9/3	1SL9886A00	9/6	41 055	4/3	41 613	4/7
1SL9811A00	9/3	1SL9887A00	9/6	41 080	4/5	41 615	4/7
1SL9812A00	9/3	1SL9888A00	9/6	41 081	4/5	41 616	4/7
1SL9813A00	9/3	1SL9889A00	9/6	41 083	4/5	41 617	4/7
1SL9814A00	9/3	1SL9890A00	9/7	41 084	4/5	41 619	4/7
1SL9816A00	9/3	1SL9891A00	9/7	41 091	4/5	41 620	4/7
1SL9817A00	9/3	1SL9892A00	9/7	41 092	4/5	41 702	4/7
1SL9818A00	9/3	1SL9893A00	9/7	41 093	4/5	41 704	4/7
1SL9819A00	9/3	1SL9894A00	9/7	41 101	4/5	41 706	4/7
1SL9820A00	9/3	1SL9895A00	10/7	41 102	4/5	41 710	4/7
1SL9822A00	9/3	1SL9896A00	10/7	41 103	4/5	41 713	4/7
1SL9823A00	9/3	1SL9897A00	10/7	41 104	4/5	41 715	4/7
1SL9824A00	9/3	1SL9902A00	9/7	41 106	4/5	41 716	4/7
1SL9825A00	9/3	1SL9903A00	9/7	41 110	4/5	41 717	4/7
1SL9826A00	9/3	1SL9904A00	9/5	41 111	4/5	41 719	4/7
1SL9828A00	9/3	1SL9907A00	9/6	41 113	4/5	41 720	4/7
1SL9829A00	9/3	1SL9910A00	9/7	41 114	4/5	41 800	4/8
1SL9830A00	9/3	1SL9911A00	9/7	41 115	4/5	41 803	4/8
1SL9831A00	9/3	1SL9912A00	9/7	41 116	4/5	41 806	4/8
1SL9832A00	9/3	1SL9913A00	9/7	41 117	4/5	41 812	4/8
1SL9833A00	9/3	1SL9914A00	9/7	41 119	4/5	41 818	4/8
1SL9834A00	9/3	1SL9915A00	9/7	41 120	4/5	41 822	4/9
1SL9836A00	9/3	1SL9916A00	9/7	41 202	4/5	41 823	4/9
1SL9837A00	9/3	27 512	9/36	41 204	4/5	41 829	4/9
1SL9838A00	9/3	27 513	9/36	41 206	4/5	41 830	4/9
1SL9839A00	9/3	27 514	9/36	41 210	4/5	41 830	6/4
1SL9840A00	9/3	27 516	9/36	41 213	4/5	41 840	4/8
1SL9841A00	9/3	27 517	9/36	41 215	4/5	41 842	4/8
1SL9842A00	9/3	27 518	9/36	41 216	4/5	41 844	4/8
1SL9844A00	9/3	27 519	9/36	41 217	4/5	41 846	4/8
1SL9845A00	9/3	27 520	9/36	41 219	4/5	41 850	4/8
1SL9846A00	9/3	27 521	9/36	41 220	4/5	41 854	4/8
1SL9847A00	9/3	27 532	9/37	41 302	4/6	41 902	4/7
1SL9848A00	9/3	27 533	9/37	41 304	4/6	41 904	4/7
1SL9849A00	9/3	27 534	9/37	41 306	4/6	41 906	4/7
1SL9850A00	9/3	27 536	9/37	41 310	4/6	41 910	4/7
1SL9852A00	9/4	27 537	9/37	41 313	4/6	41 913	4/7
1SL9853A00	9/4	27 538	9/37	41 315	4/6	41 915	4/7
1SL9854A00	9/4	27 539	9/37	41 316	4/6	41 916	4/7
1SL9855A00	9/4	27 540	9/37	41 317	4/6	41 917	4/7
1SL9856A00	9/4	27 541	9/37	41 319	4/6	41 919	4/7
1SL9857A00	9/4	27 552	9/38	41 320	4/6	41 920	4/7
1SL9858A00	9/4	27 553	9/38	41 402	4/6	42 010	6/3
1SL9860A00	9/4	27 554	9/38	41 404	4/6	42 012	6/3
1SL9861A00	9/4	27 556	9/38	41 406	4/6	42 015	6/3
1SL9862A00	9/4	27 557	9/38	41 410	4/6	42 022	6/3
1SL9863A00	9/4	27 558	9/38	41 413	4/6	42 025	6/3

# Code list

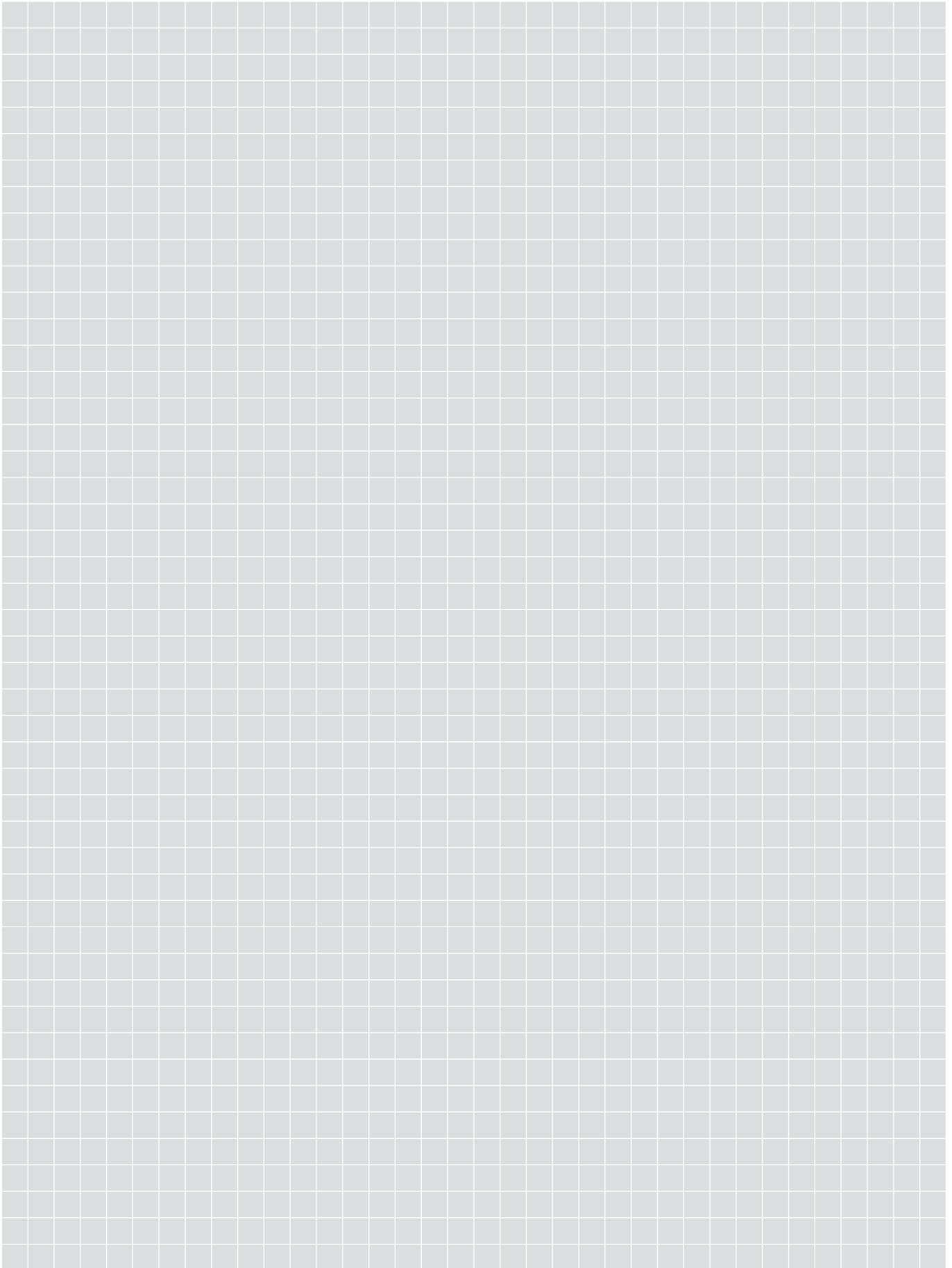
Article	Chapter/Page	Article	Chapter/Page	Article	Chapter/Page	Article	Chapter/Page
42 028	6/3	43 167	5/5	43 681	5/9	44 176	5/17
42 032	6/3	43 168	5/5	43 682	5/9	44 210	5/17
42 042	6/4	43 175	5/5	43 691	5/11	44 212	5/17
42 046	6/4	43 176	5/5	43 692	5/11	44 214	5/17
42 049	6/4	43 177	5/5	43 744	5/11	44 216	5/17
42 052	6/4	43 178	5/5	43 745	5/11	44 250	5/19
42 056	6/4	43 232	5/6	43 746	5/11	44 252	5/19
42 059	6/4	43 233	5/6	43 747	5/11	44 254	5/19
42 062	6/5	43 234	5/6	43 748	5/11	44 256	5/19
42 065	6/5	43 235	5/6	43 764	5/13	44 291	5/19
42 068	6/5	43 236	5/6	43 765	5/13	44 352	5/18
42 072	6/5	43 243	5/6	43 766	5/13	44 354	5/18
42 075	6/5	43 244	5/6	43 767	5/13	44 356	5/18
42 092	6/4	43 245	5/6	43 768	5/13	44 434	5/18
42 096	4/9	43 246	5/6	43 784	5/13	44 436	5/18
42 096	6/4	43 247	5/6	43 785	5/13	44 452	5/18
42 102	6/5	43 248	5/6	43 786	5/13	44 454	5/18
42 105	6/5	43 255	5/6	43 787	5/13	44 456	5/18
42 106	6/5	43 256	5/6	43 788	5/13	44 514	5/18
42 112	4/9	43 257	5/6	43 806	5/13	44 516	5/18
42 112	6/5	43 258	5/6	43 807	5/13	44 554	5/18
42 112	6/7	43 312	5/7	43 808	5/13	44 556	5/18
42 122	4/9	43 313	5/7	43 826	5/13	44 634	5/19
42 122	6/5	43 314	5/7	43 827	5/13	44 636	5/19
42 122	6/7	43 315	5/7	43 828	5/13	44 654	5/19
42 512	6/7	43 316	5/7	43 846	5/13	44 656	5/19
42 522	6/7	43 323	5/7	43 847	5/13	44 680	5/19
42 532	6/7	43 324	5/7	43 848	5/13	44 682	5/19
42 542	6/7	43 325	5/7	43 950	5/11	45 965	4/9
42 600	6/5	43 326	5/7	43 951	5/11	45 966	4/9
42 601	6/5	43 327	5/7	43 952	5/11	45 967	4/9
42 605	6/5	43 328	5/7	43 953	5/11	45 968	4/9
42 606	6/5	43 335	5/7	43 955	5/11	45 969	4/9
42 607	6/5	43 336	5/7	43 956	5/11		
43 002	5/3	43 337	5/7	43 957	5/11		
43 003	5/3	43 338	5/7	43 958	5/11		
43 004	5/3	43 392	5/8	43 960	5/11		
43 005	5/3	43 393	5/8	43 961	5/11		
43 006	5/3	43 394	5/8	43 962	5/11		
43 013	5/3	43 395	5/8	43 963	5/11		
43 014	5/3	43 396	5/8	43 965	5/12		
43 015	5/3	43 403	5/8	43 966	5/12		
43 016	5/3	43 404	5/8	43 967	5/12		
43 017	5/3	43 405	5/8	43 968	5/12		
43 018	5/3	43 406	5/8	43 970	5/12		
43 025	5/3	43 407	5/8	43 971	5/12		
43 026	5/3	43 408	5/8	43 972	5/12		
43 027	5/3	43 415	5/8	43 973	5/12		
43 028	5/3	43 416	5/8	44 010	5/17		
43 085	5/4	43 417	5/8	44 012	5/17		
43 086	5/4	43 418	5/8	44 014	5/17		
43 095	5/4	43 475	5/9	44 016	5/17		
43 096	5/4	43 488	5/9	44 040	5/18		
43 097	5/4	43 498	5/9	44 040	9/45		
43 098	5/4	43 552	5/8	44 050	5/17		
43 105	5/4	43 553	5/8	44 052	5/17		
43 106	5/4	43 554	5/8	44 054	5/17		
43 152	5/5	43 555	5/8	44 090	5/17		
43 153	5/5	43 556	5/8	44 092	5/17		
43 154	5/5	43 565	5/8	44 130	5/17		
43 155	5/5	43 566	5/8	44 132	5/17		
43 156	5/5	43 622	5/15	44 134	5/17		
43 163	5/5	43 623	5/15	44 136	5/17		
43 164	5/5	43 624	5/15	44 170	5/17		
43 165	5/5	43 630	5/11	44 172	5/17		
43 166	5/5	43 631	5/11	44 174	5/17		



---

# Notes

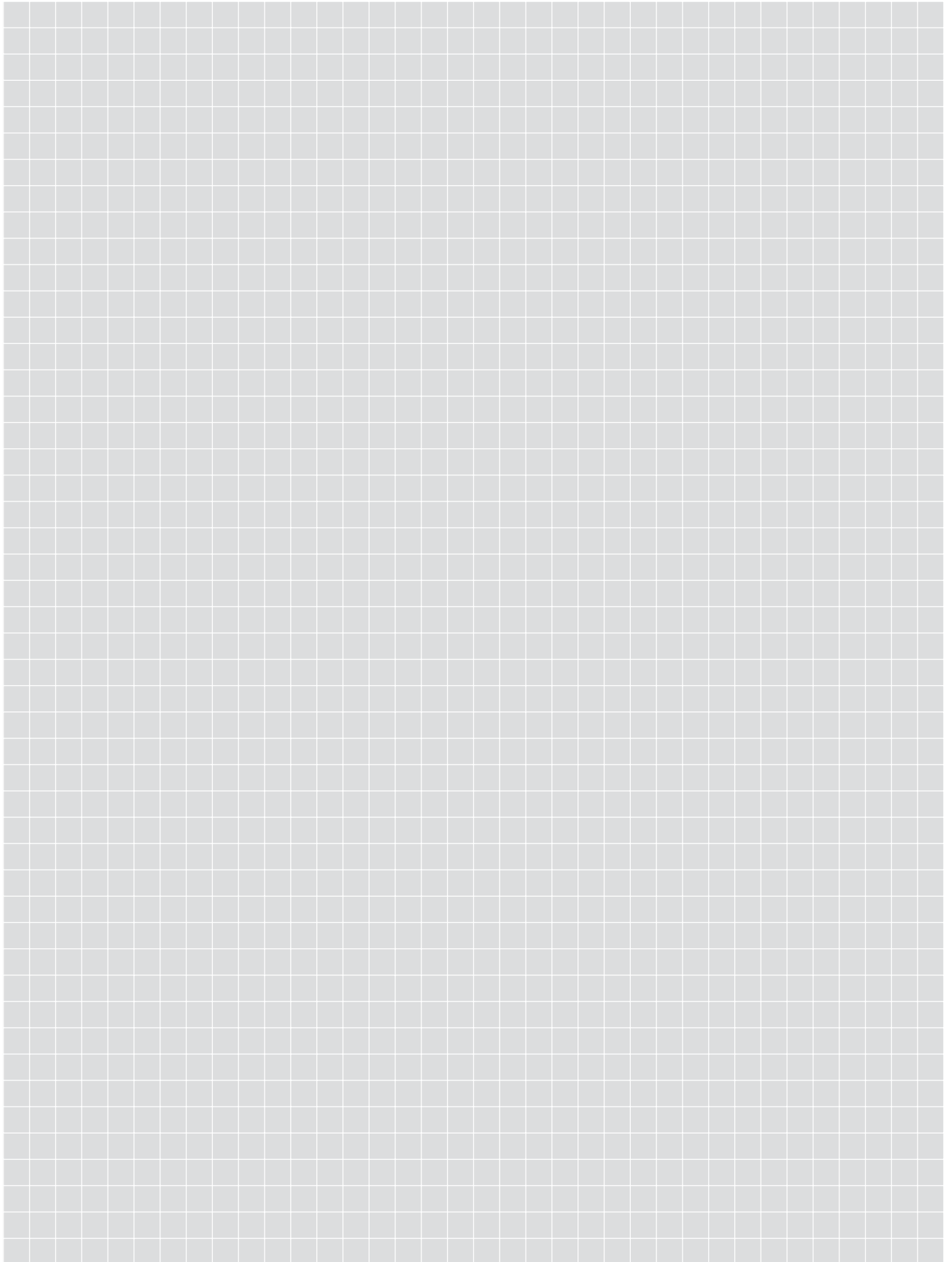
---



---

# Notes

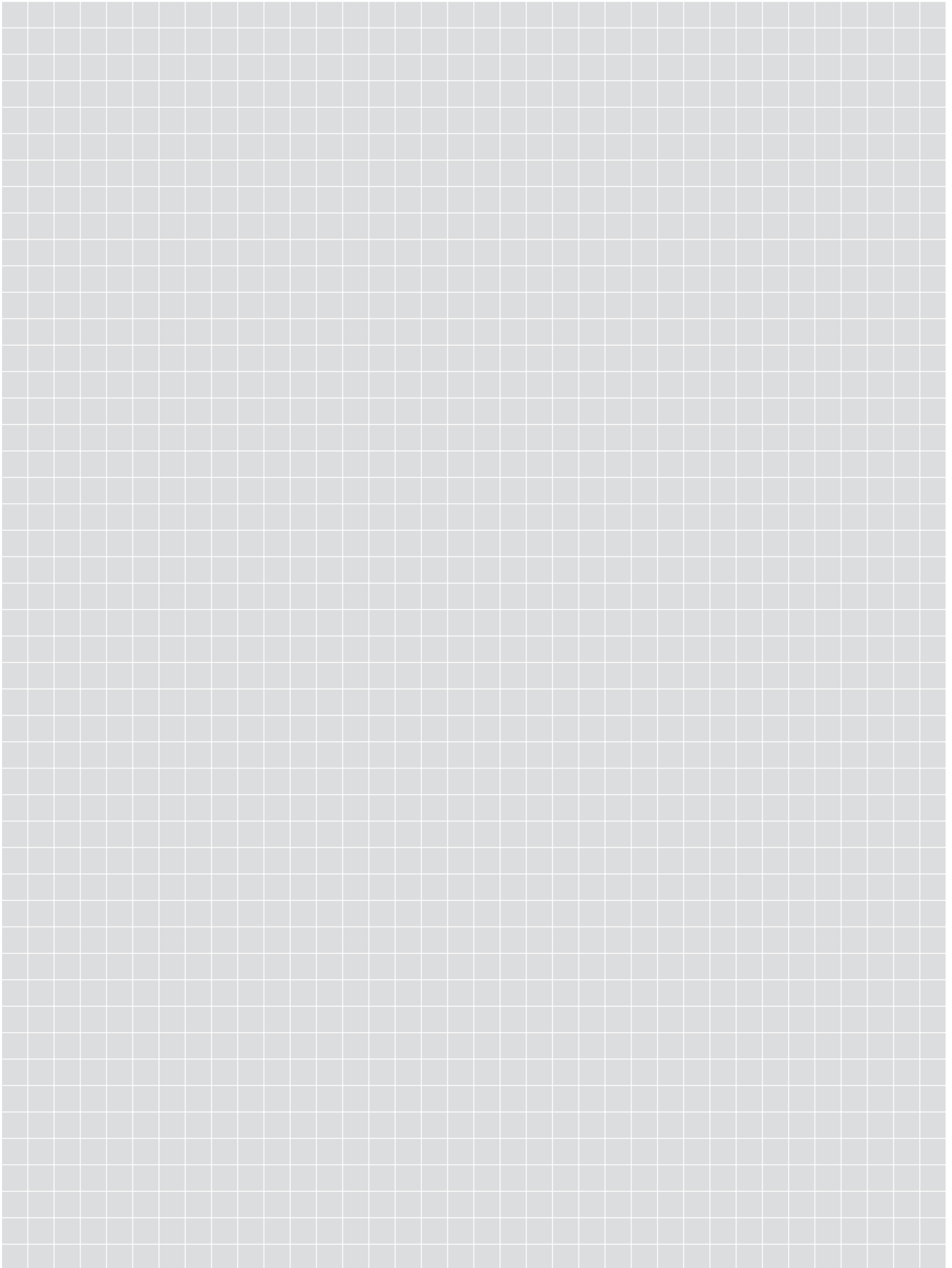
---



---

# Notes

---

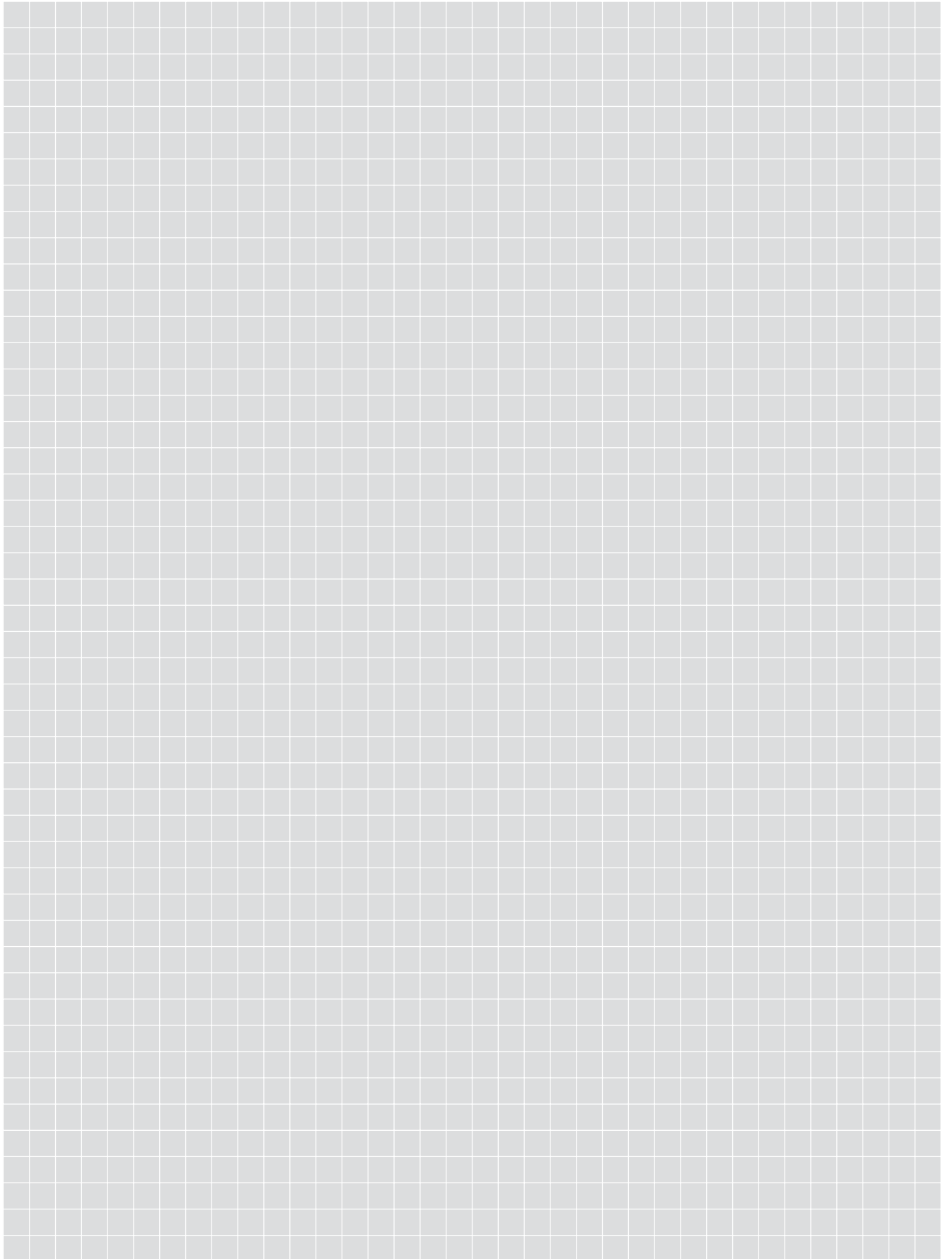




---

# Notes

---





In consideration of modifications to Standards and materials, the characteristics and overall dimensions indicated in this catalogue may be considered binding only following confirmation by ABB SACE

**ABB SACE S.p.A.**  
*Enclosures and Cable Systems Division*  
Viale Vicenza, 61  
36063 Marostica (VI) - Italy  
Tel.: ++39 0424 478200 - Telefax: ++39 0424 478310

<http://www.abb.com>